

Long Agribusiness

PARTS MANUAL



FARMTRAC TRACTOR

MODELS: 300 DTC/360 DTC



COMMON SENSE SOLUTIONS

Long Agribusiness, LLC
PO BOX 1139 • TARBORO, NC 27886 • (252) 823-4151

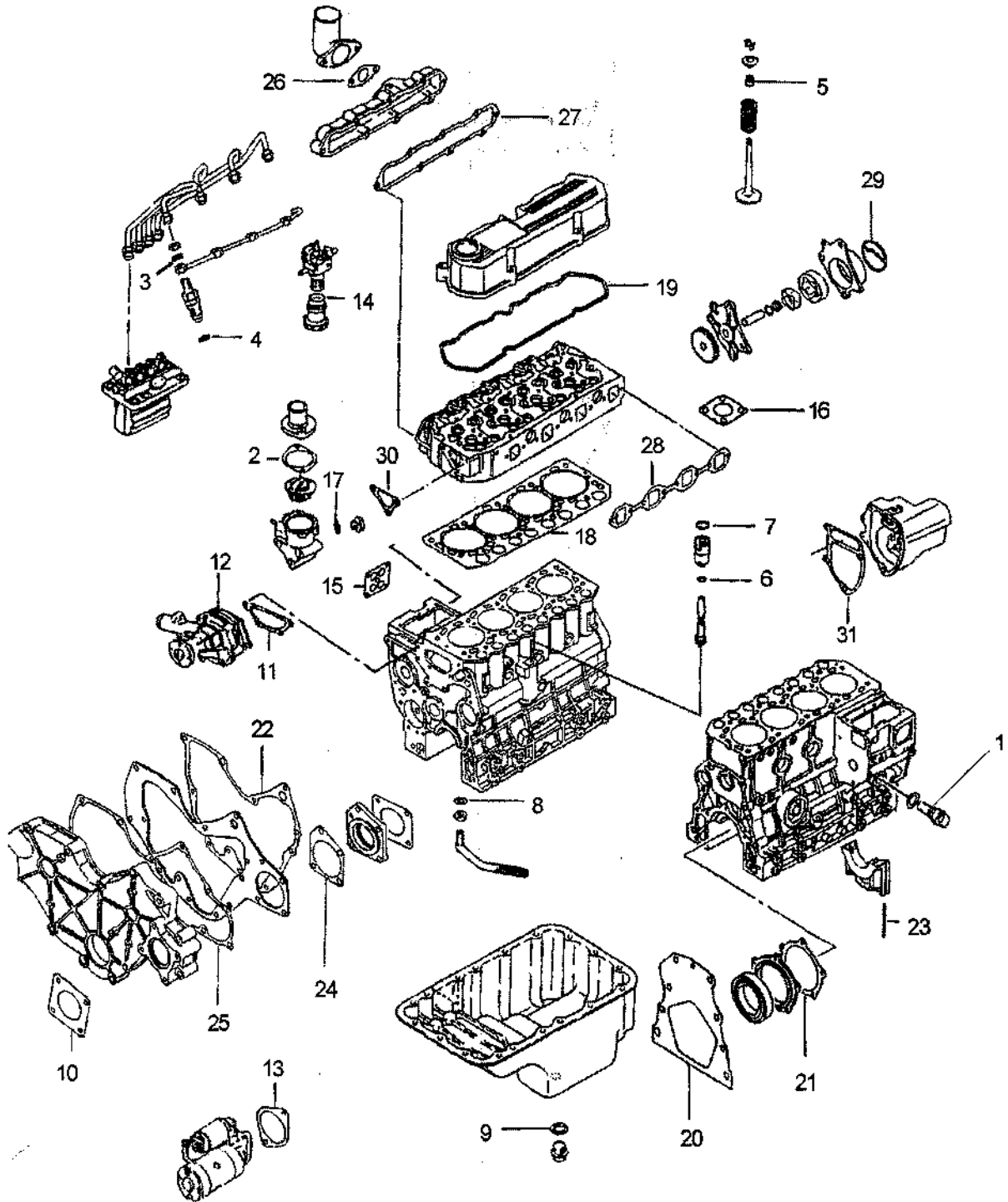
300 DTC/360 DTC

SECTION 1

GASKETS - ENGINE

 **Long Agribusiness**

COMMON SENSE SOLUTIONS



300 DTC/360 DTC

ITEM No	LONG No.	VENDOR No.	DESCRIPTION	QTY.	
				300 DTC	360 DTC
1-32	LG2822	31A94-30011	Gasket Kit	1	1
✓ 1	LG1585	F4202-22000	Gasket	1	1
✓ 2	LG2823	MD000551	Gasket	1	1
✓ 3	LG2693	MD068355	Gasket, Fuel Return	4	4
✓ 4	LG2692	MD070717	Gasket, Holder	4	4
✓ 5	LG2538	MD115472	Seal, Valve Stem	8	8
✓ 6	LG2662	MD701788	O-Ring	1	1
✓ 7	LG2664	MF520012	O-Ring	1	1
✓ 8	LG2658	MF660036	Gasket	1	1
✓ 9	LG2611	MF660065	Gasket, Oil Drain	2	2
10	LG2605	MM401-20601	Gasket, O/Pump Cover	2	2
✓ 11	LG2674	MM407-42202	Gasket, Water Pump	1	1
✓ 12	LG2672	MM409326	Gasket, Water Pump	1	1
13	LG2783	MM409-41901	Gasket, Starter	1	1
14	LG2731	MM409869	O-Ring, Filter Cup	1	1
15	LG2767	MM435249	Protector, Oil Inlet	1	1
16	LG3298	A1151101	Gasket, Muffler	1	1
17	LG1581	3063625901	Gasket	1	1
18	LG2529	31A01-33300	Gasket, Cylinder Head	1	1
19	LG2556	31A04-33202	Gasket, Rocker Cover	1	1
20	LG2594	31A07-02401	Gasket, Rear	1	1
21	LG2586	31A07-11701	Gasket, Oil Seal Case	1	1
22	LG2598	31A07-11901	Gasket, Front Plate	1	1
23	LG2579	31A07-12200	Seal, Side	4	4
24	LG2604	31A11-05201	Gasket, Housing	1	1
25	LG2600	31A11-11101	Gasket, Gear	1	1
26	LG2647	31A30-00801	Gasket, Inlet Pipe	1	1
27	LG2645	31A30-10902	Gasket, Inlet Cover	1	1
28	LG2650	31A32-01200	Gasket Exhaust	1	1
29	LG2654	31A35-02300	Packing, Body	1	1
30	LG2688	31A46-10101	Gasket, Thermo Case	1	1
31	LG2758	31A63-12201	Gasket, Governor Case	1	1
32	LG2825	32A91-05100	Gasket, Liquid (Not Shown)	1	1

Notes

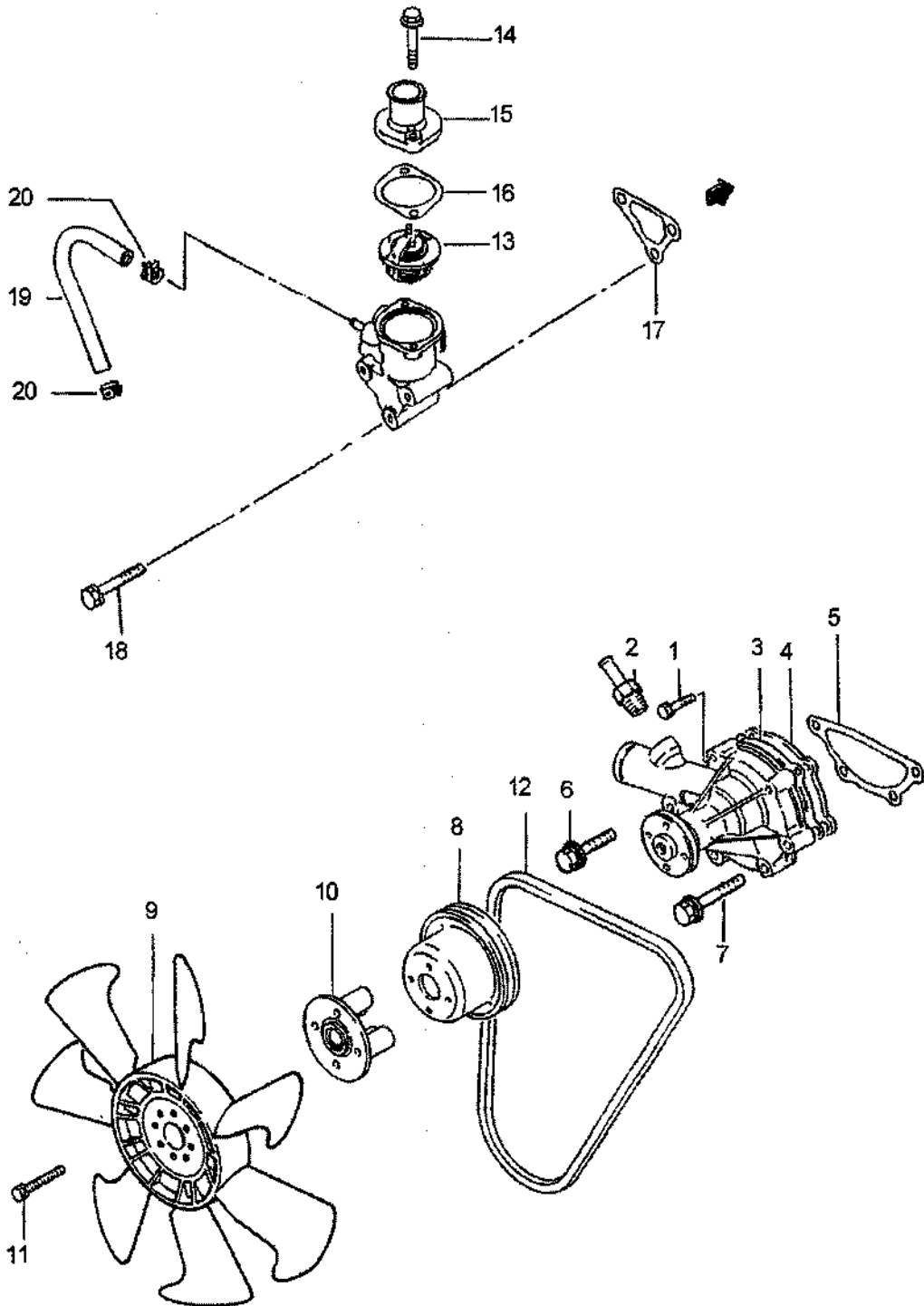
300 DTC/360 DTC

SECTION 2

COOLING SYSTEM

 **Long Agribusiness**

COMMON SENSE SOLUTIONS

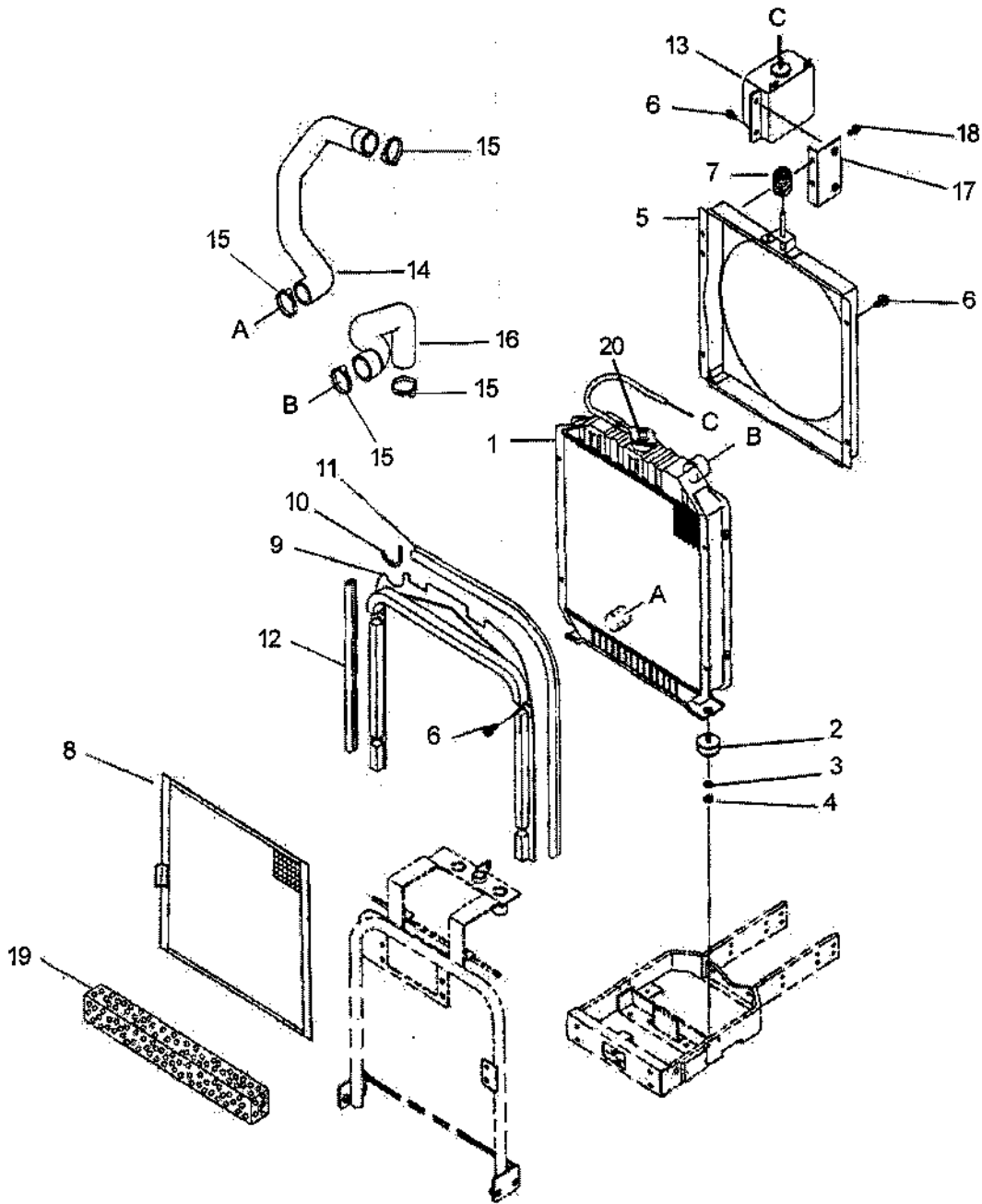




300 DTC/360 DTC

ITEM No	LONG No.	VENDOR No.	DESCRIPTION	QTY.	
				300 DTC	360 DTC
1-4	LG2669	MM409302	Pump Assy, Water	1	1
1	LG2670	F1805-06030	Bolt, w/Washer	2	2
2	LG2671	MM409314	Joint, Water Pump	1	1
3	LG2672	MM409326	Gasket, Water Pump	1	1
4	LG2673	MM09327	Plate, Water Pump	1	1
5	LG2674	MM407-42202	Gasket, Water Pump	1	1
6	LG2675	F1825-08045	Bolt, w/Washer	3	3
7	LG2676	F1825-08060	Bolt, w/Washer	1	1
8	LG2677	31A45-20700	Pulley, w/Pump	1	1
9	LG2678	30H48-00200	Fan, Cooling	1	1
10	LG2679	31A48-01100	Spacer, Fan	2	2
11	LG2680	MF241242	Bolt, w/Washer	4	4
12	LG2681	MD041704	V-Belt	1	1
13	LG2683	MD001370	Thermostat	1	1
14	LG2684	MF140227	Bolt, Flange	2	2
15	LG2685	MM409-31301	Cover, Thermostat	1	1
16	LG2687	31A46-01200	Gasket, Thermostat	1	1
17	LG2688	31A46-10101	Gasket, Thermo Case	1	1
18	LG1824	F1805-08065	Bolt, w/Washer	3	3
19	LG2690	MS603014	Hose	1	1
20	LG2691	MS660164	Clip	2	2

1-4 40052841



300 DTC/360 DTC

ITEM No	LONG No.	VENDOR No.	DESCRIPTION	QTY.	
				300 DTC	360 DTC
1	LG2076	A1170076	Radiator	1	1
2	LG2465	A1970256	Rubber, Damp Mount	2	2
3	N630174-S8		Washer, Spring	2	2
4	LG3827	S302100013	Nut, Hex (M10 - 1.25)	2	2
5	LG2085	A1170126	Shroud, Fan	1	1
6	LG1896	S159082533	Bolt, Hex w/Washer (M8 - 1.25 x 25)	9	9
7	LG2466	A1970258	Rubber, Cushion	1	1
8	LG2080	A1170129	Net Screen, Radiator	1	1
9	LG2079	A1170128	Plate	1	1
10	LG2468	A1970262	Strip	1	1
11	LG2083	A1170101	Strip, Weather	1	1
12	LG2081	A1170095	Strip, Weather	1	1
13	LG1522	A1170031	Tank, Reservoir	1	1
14	LG2078	A1170082	Hose, Outlet	1	1
15	LG3301	A1970201H	Clamp, Hose	4	4
16	LG3302	A1170083	Hose, Inlet	1	1
17	LG2082	A1170099	Plate	1	1
18	LG1897	S155082033	Bolt, Hex w/Washer(M8 - 1.25 x 20)	2	2
19	LG2084	A1170102	Seal, Radiator Air	1	1
20	LG4074	A1170161	Cap, Radiator	1	1

Notes

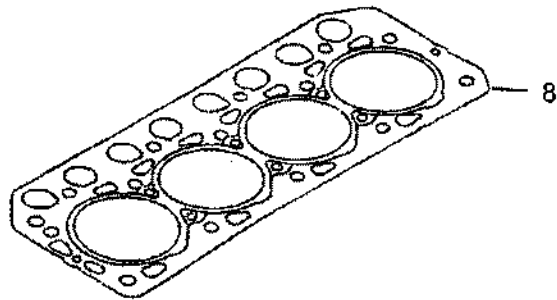
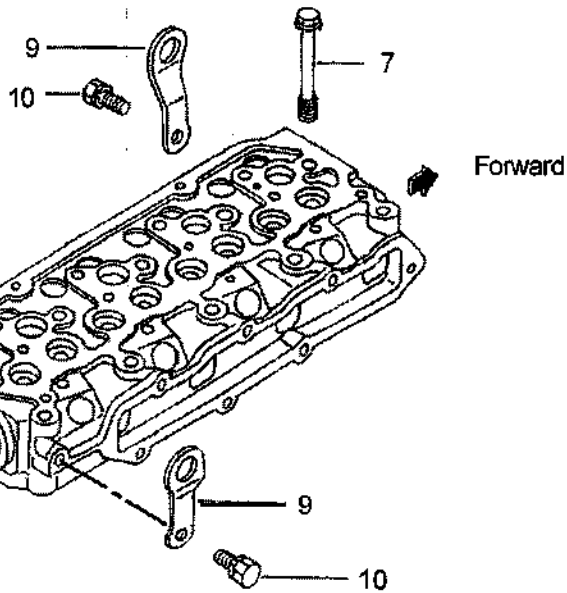
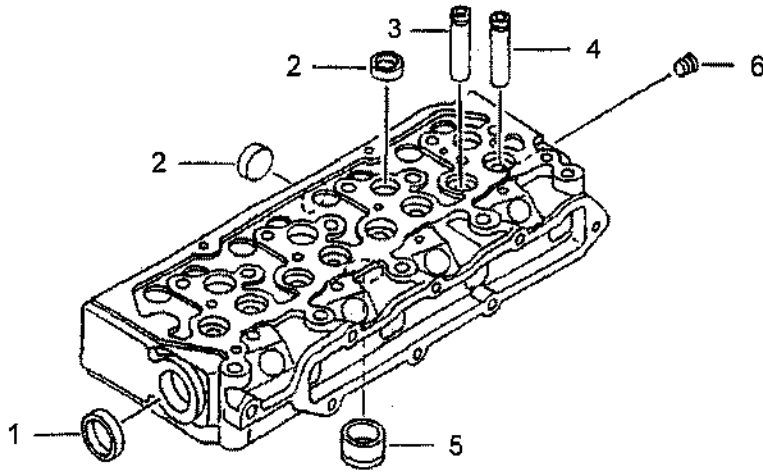
300 DTC/360 DTC

SECTION 3

ENGINE

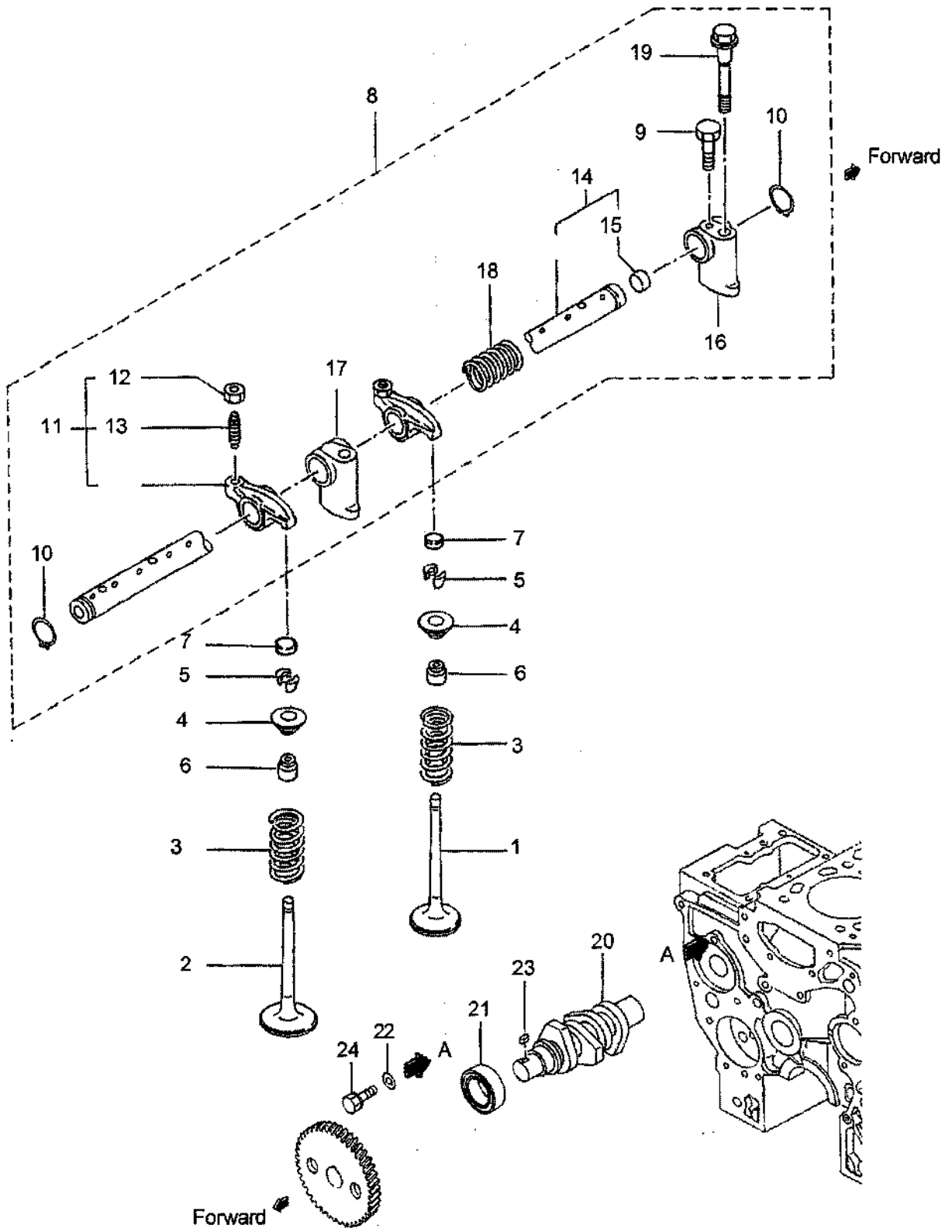
 **Long Agribusiness**

COMMON SENSE SOLUTIONS



300 DTC/360 DTC

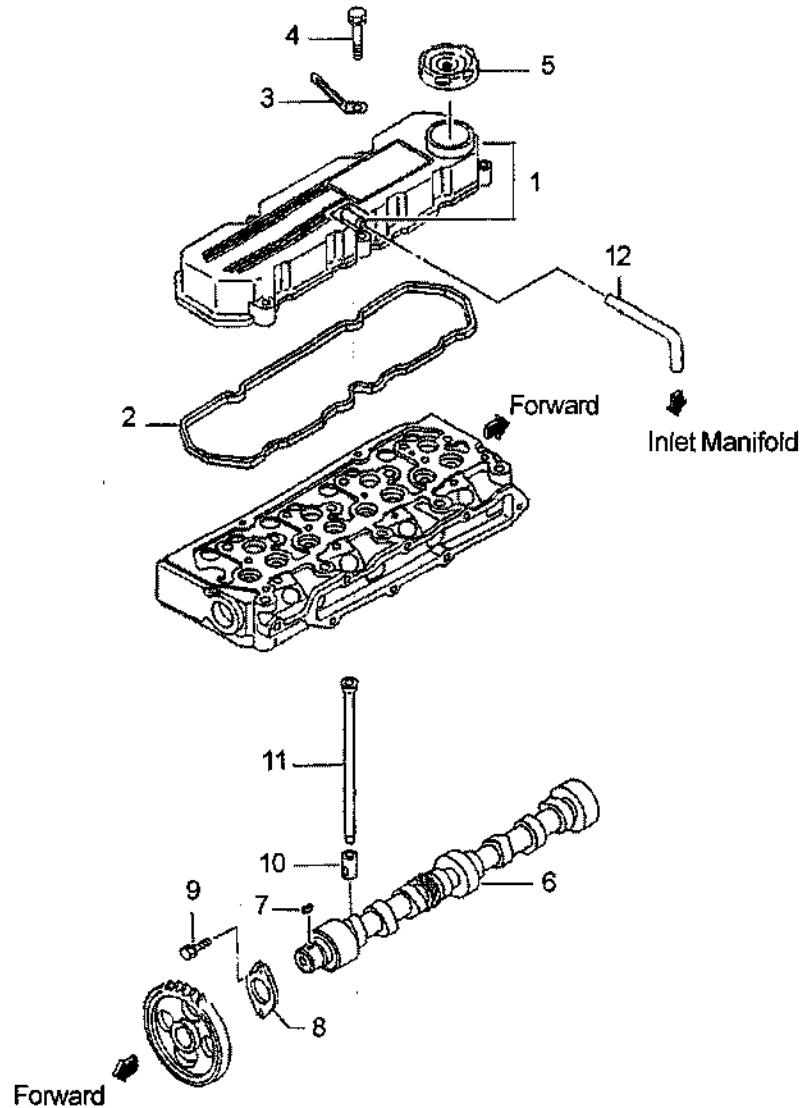
ITEM No	LONG No.	VENDOR No.	DESCRIPTION	QTY.	
				300 DTC	360 DTC
1-6	LG2520	31A01-21060	Head Assy, Cylinder	1	-
1-6	LG2531	31A01-51040	Head Assy, Cylinder	-	1
1	LG2523	MD000245	Cap, Sealing	1	1
2	LG2524	MF665538	Cap, Sealing	7	7
3	LG2525	31A01-02500	Guide, Exhaust Valve	4	4
4	LG2526	31A01-02600	Guide, Inlet Valve	4	4
5	LG2527	31A03-01101	Jet, Combustion	4	4
-	LG2532	31A03-01500	Jet, Combustion	-	4
6	LG2528	MS661140	Plug, Taper	1	1
7	LG2521	31A01-11100	Bolt, Cylinder Head	14	14
8	LG2529	31A01-33300	Gasket, Cylinder Head	1	1
9	LG2530	MM408470	Hanger, Engine	2	2
10	LG1827	F1805-10020	Bolt, w/Washer	2	2



300 DTC/360 DTC

ITEM No	LONG No.	VENDOR No.	DESCRIPTION	QTY.	
				300 DTC	360 DTC
1	LG2533	31A04-30100	Valve, Inlet	4	4
2	LG2534	31A04-20200	Valve, Exhaust	4	4
3	LG2535	31A04-01301	Spring, Valve	8	8
4	LG2536	MM433306	Retainer, Valve Stem	8	8
5	LG2537	MD016483	Valve, Lock	16	16
6	LG2538	MD115472	Seal, Valve Stem	8	8
7	LG2539	31A04-00700	Cap, Valve	8	8
8	LG2540	31A04-30042	Rocker & Shaft Assy	1	1
9	LG2541	F1035-05010	Bolt	1	1
10	LG2542	MF522010	Ring, Snap	2	2
11	LG2543	31A04-11023	Rocker Assy	8	8
12	LG2544	F2325-08000	Nut, Jam	8	8
13	LG1663	32A04-02400	Screw, Rocker	8	8
14	LG2545	31A04-21010	Shaft Assy, Rocker	1	1
15	LG2546	MD021204	Cap, Sealing	2	2
16	LG2547	31A04-34100	Bracket, Rocker Shaft	1	1
17	LG2548	31A04-34300	Bracket, Rocker Shaft	3	3
18	LG2549	32C04-04500	Spring, Rocker	3	3
19	LG2550	32C04-06100	Bolt, Rocker Bracket	4	4
20	LG2551	31A65-11200	Shaft, Fuel Injection Pump	1	1
21	LG2552	MD703856	Bearing, Radial Ball	1	1
22	LG2553	MD000425	Washer	1	1
23	LG2554	MF476018	Key, Sunk	1	1
24	LG1818	F1805-08016	Bolt, w/Washer	1	1

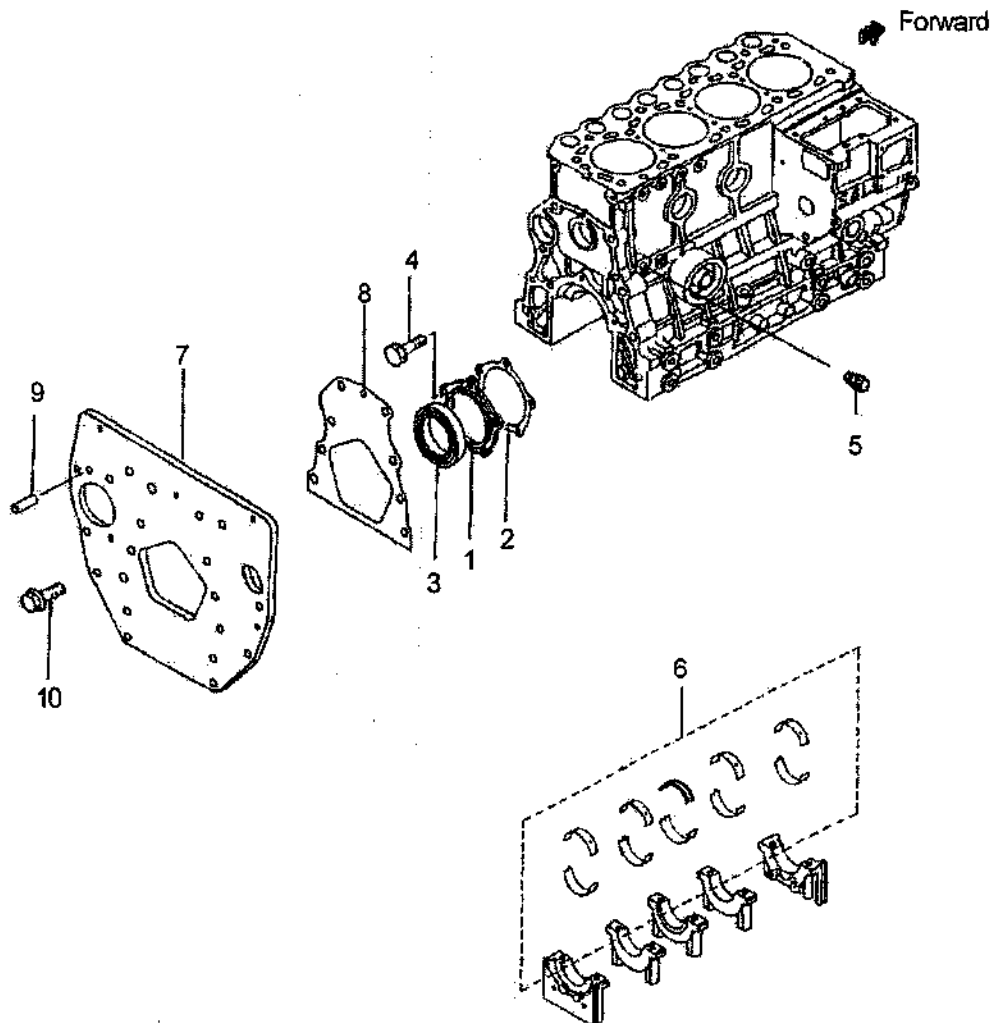
ITEM No	LONG No.	VENDOR No.	DESCRIPTION	QTY.	
				300 DTC	360 DTC
1	LG2555	31A04-20031	Cover Assy, Rocker	1	1
2	LG2556	31A04-33202	Gasket, Rocker Cover	1	1
3	LG2557	MS470059	Clip	1	1
4	LG1821	F1805-08040	Bolt, w/Washer	5	5
5	LG2558	MD008784	Cap, Oil Filter	1	1
6	LG2559	31A05-00201	Camshaft	1	1
7	LG2560	MF476215	Key, Woodruff	1	1
8	LG1647	30405-31402	Plate, Thrust	1	1
9	LG1818	F1805-08016	Bolt, w/Washer	2	2
10	LG2561	MM402737	Tappet	8	8
11	LG2562	31A05-01300	Rod, Push	8	8
12	LG2563	MM400380	Breather, Pipe	1	1

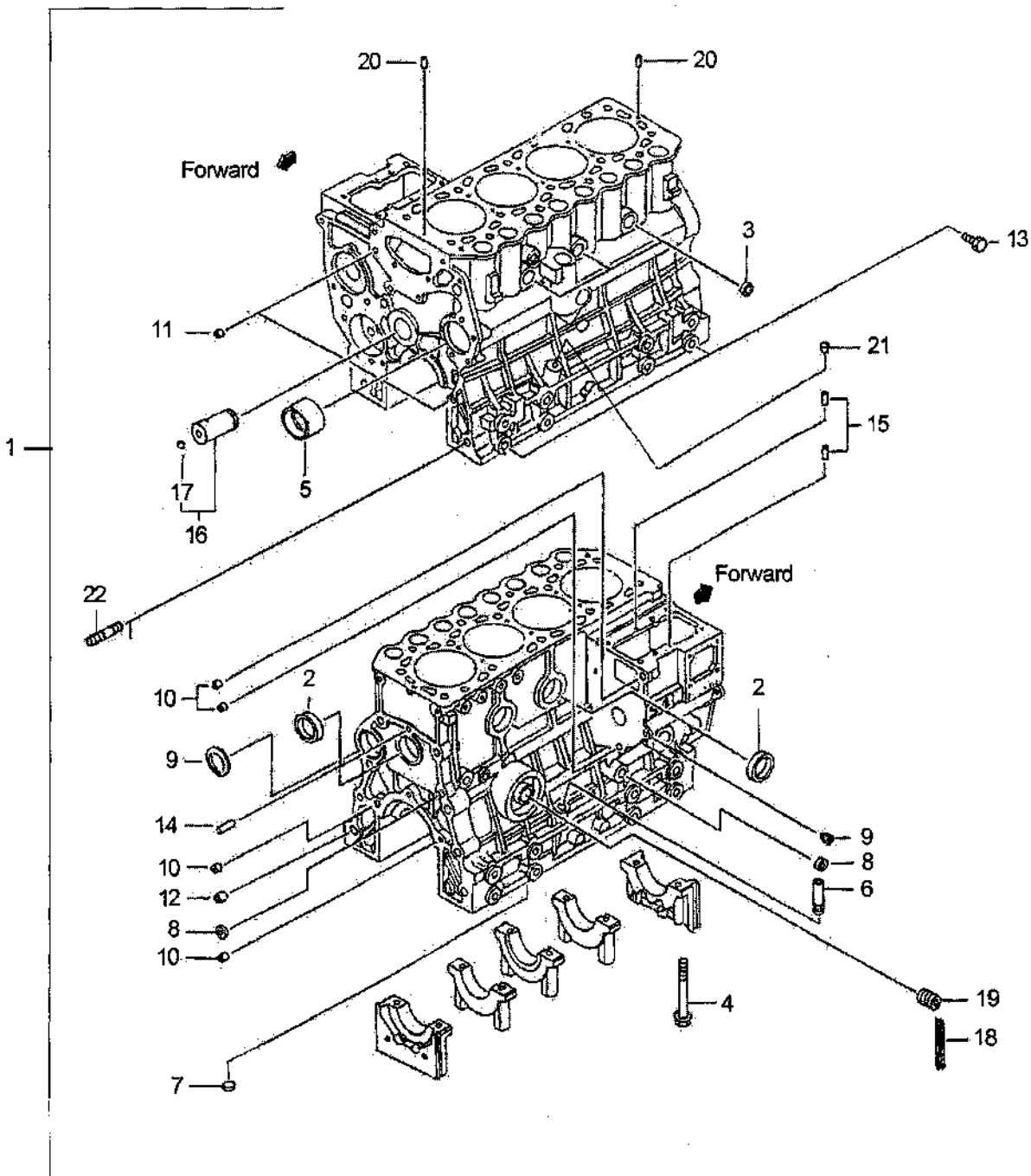


ROCKER COVER AND CAMSHAFT

300 DTC/360 DTC

ITEM No	LONG No.	VENDOR No.	DESCRIPTION	QTY.	
				300 DTC	360 DTC
1	LG2585	31A07-11601	Case, Oil Seal	1	1
2	LG2586	31A07-11701	Gasket, Oil Seal Case	1	1
3	LG2587	31A07-02300	Seal, Oil	1	1
4	LG1810	F1035-08020	Bolt	5	5
5	LG2588	MD000269	Plug, Taper	1	1
6	LG2589	MM437313	Metal Set - (Std.)	1	1
-	LG2590	MM437884	Metal Set - (.25)	1	1
-	LG2591	MM437885	Metal Set - (.50)	1	1
-	LG2592	MM437886	Metal Set - (.75)	1	1
7	LG2593	31A07-02401	Plate, Rear	1	1
8	LG2594	31A07-02401	Gasket, Rear	1	1
9	LG2595	MM408245	Pin, Knock	2	2
10	LG2596	31A08-04101	Bolt, Flange	10	10

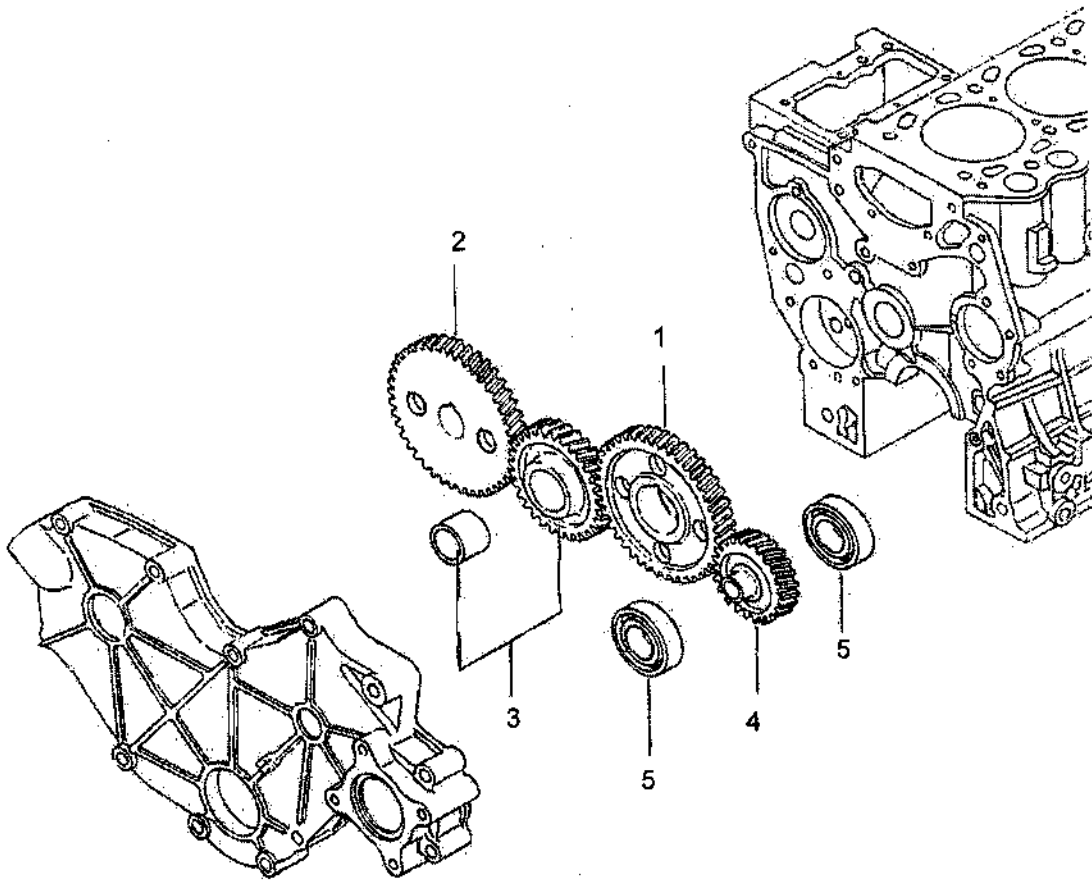




300 DTC/360 DTC

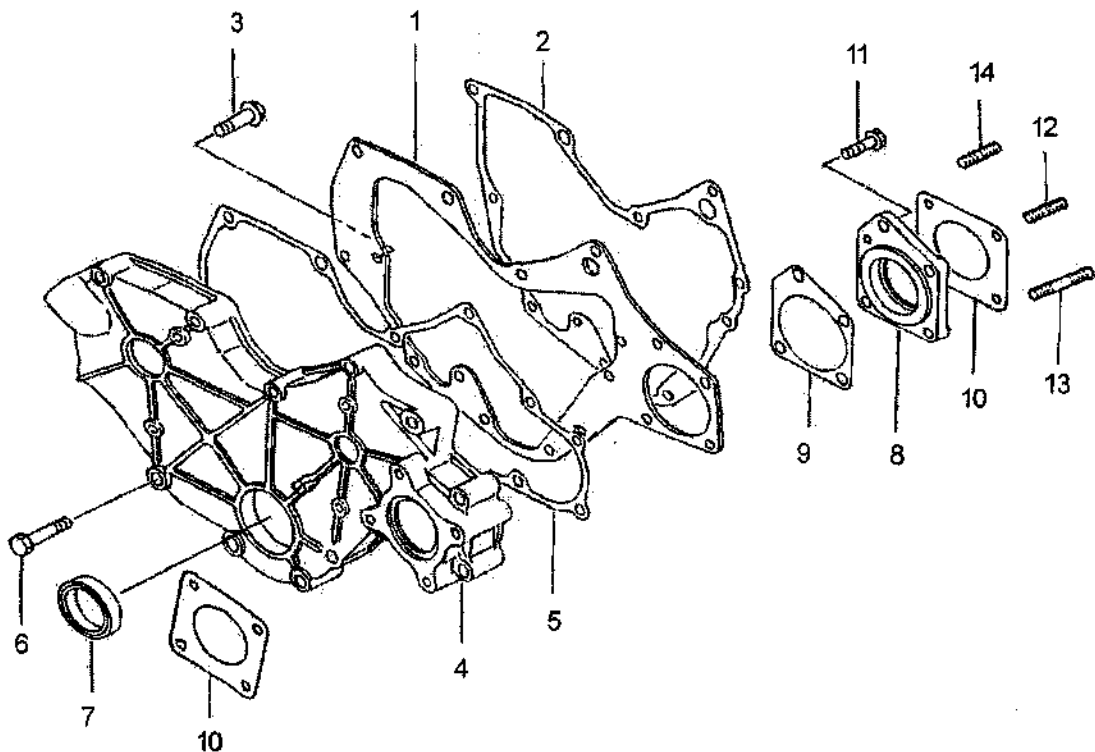
ITEM No	LONG No.	VENDOR No.	DESCRIPTION	QTY.	
				300 DTC	360 DTC
1-23	LG2564	31A07-42010	Block Assy, Cylinder	1	1
2	LG2565	04826-22000	Cap, Sealing	3	3
3	LG1549	04826-23500	Cap, Sealing	3	3
4	LG2566	31A07-00800	Bolt, Bearing Cap	10	10
5	LG2567	31A07-03100	Bush, Camshaft	1	1
6	LG2568	MM430613	Guide, Oil Level	1	1
7	LG2569	MF665532	Cap, Sealing	1	1
8	LG2570	MF665533	Cap, Sealing	1	1
9	LG2528	MS661140	Plug, Taper	1	1
10	LG2571	MS471104	Bushing, Knock	4	4
11	LG2572	MS471105	Bushing, Knock	2	2
12	LG2573	MS471110	Bushing, Knock	1	1
13	LG2584	F1035-12025	Bolt	4	4
14	LG2575	MF472404	Pin, Dowel	1	1
15	LG2576	MM409645	Pin, Dowel	2	2
16	LG2577	31A23-00051	Shaft Assy, Idler	1	1
17	LG2578	F8000-08000	Ball, Steel	1	1
18	LG2579	31A07-12200	Seal, Side	4	4
19	LG2580	30L08-00700	Shaft, Oil Filter	1	1
20	LG2581	F2846-05000	Pin, Dowel	2	2
21	LG2582	MD024256	Plug, Taper	1	1
22	LG2583	31A07-02500	Stud	2	2

ITEM No.	LONG No.	VENDOR No.	DESCRIPTION	QTY.	
				300 DTC	360 DTC
1	LG2639	31A23-01404	Gear, Camshaft	1	1
2	LG2640	31A23-10101	Gear, Injection Pump	1	1
3	LG2641	31A23-01023	Gear Assy, Idler	1	1
4	LG2642	31A23-01502	Gear, Press Oil Pump	1	1
5	LG2643	MD712517	Bearing, Rear	2	2

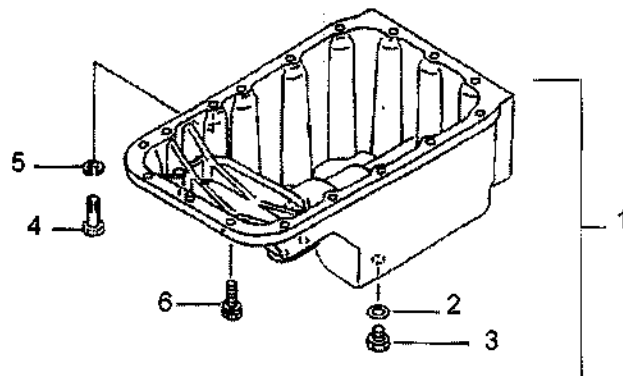
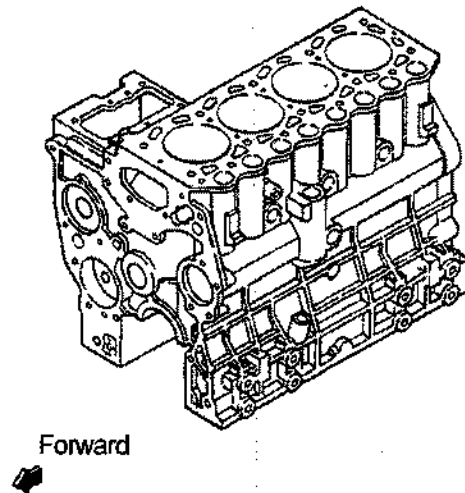


300 DTC/360 DTC

ITEM No	LONG No.	VENDOR No.	DESCRIPTION	QTY.	
				300 DTC	360 DTC
1	LG2597	31A11-02100	Plate, Front	1	1
2	LG2598	31A07-11301	Gasket, Front Plate	1	1
3	LG1818	F1805-08016	Bolt, w/Washer	5	5
4	LG2599	31A11-00800	Case, Gear PTO	1	1
5	LG2600	31A11-11101	Gasket, Gear	1	1
6	LG2601	F1035-08045	Bolt	8	8
7	LG2602	MD008762	Seal, Oil	1	1
8	LG2603	31A11-05101	Housing, Gear	1	1
9	LG2604	31A11-05201	Gasket, Housing	1	1
10	LG2605	MM401-20601	Gasket, w/o Pump Cover	2	2
11	LG2606	F1805-08030	Bolt, w/Washer	1	1
12	LG2607	MF401936	Stud (M8 x 25)	1	1
13	LG2608	MS401335	Stud (M8 x 45)	1	1
14	LG2609	MF401935	Stud (M8 x 22)	2	2

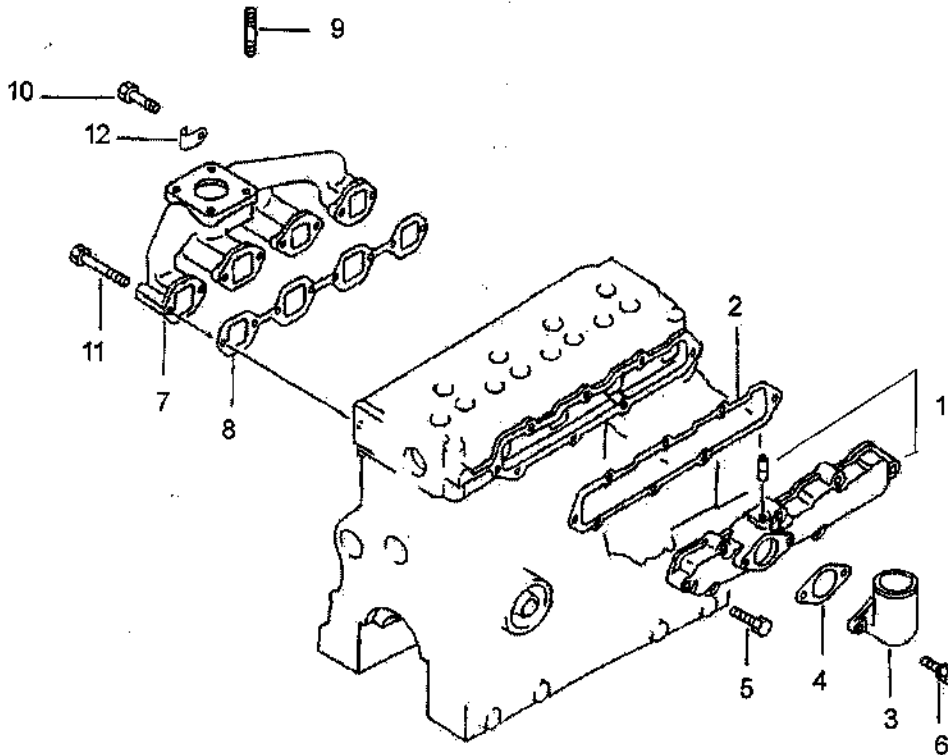


ITEM No.	LONG No.	VENDOR No.	DESCRIPTION	QTY.	
				300 DTC	360 DTC
1-3	LG2610	31A13-02020	Pan Assy, Oil	1	1
2	LG2611	MF660065	Gasket, Oil Drain	2	2
3	LG2612	MF665004	Plug, Drain	2	2
4	LG1811	F1035-08040	Bolt	1	1
5	LG1835	F2515-08000	Washer, Spring	1	1
6	LG4055	31A13-04101	Bolt, w/Washer	16	16

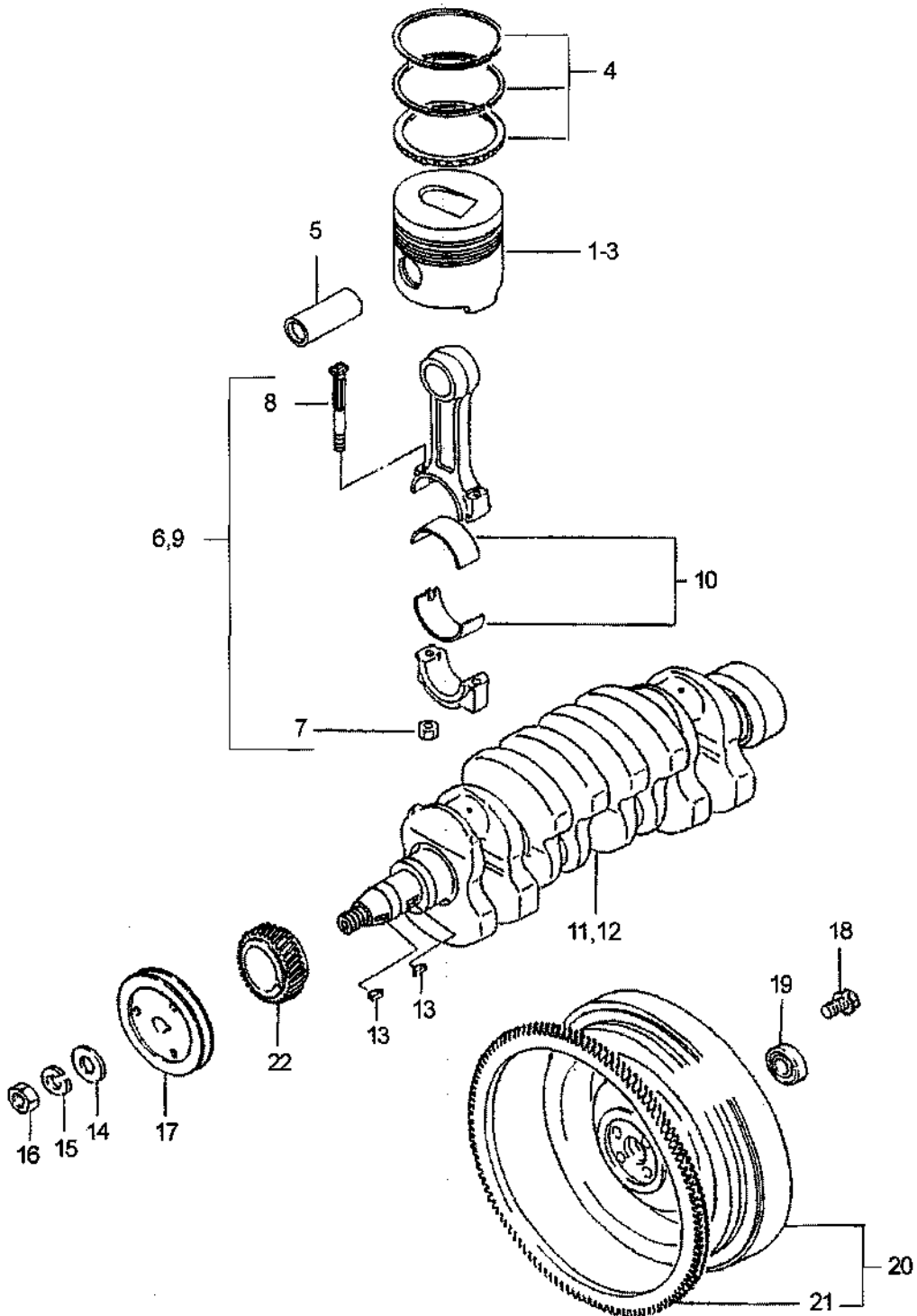


300 DTC/360 DTC

ITEM No	LONG No.	VENDOR No.	DESCRIPTION	QTY.	
				300 DTC	360 DTC
1	LG2644	31A30-20010	Cover Assy, Inlet	1	1
2	LG2645	31A30-10902	Gasket, Inlet Cover	1	1
3	LG2646	31A30-00300	Pipe, Inlet	1	1
4	LG2647	31A30-00801	Gasket, Inlet Pipe	1	1
5	LG2648	F1805-08035	Bolt, w/Washer	8	8
6	LG1819	F1805-08020	Bolt, w/Washer	2	2
7	LG2649	31A32-00402	Manifold Assy, Exhaust	1	1
8	LG2650	31A32-01200	Gasket, Exhaust	1	1
9	LG2607	MF401936	Stud (M8 x 25)	4	4
10	LG1810	F1035-0820	Bolt	6	6
11	LG2651	F1035-08055	Bolt	2	2
12	LG2652	31A32-02100	Clamp	1	1



INLET & EXHAUST MANIFOLD



300 DTC/360 DTC

ITEM No	LONG No.	VENDOR No.	DESCRIPTION	QTY.	
				300 DTC	360 DTC
1	LG2613	31A17-11100	Piston - (Std.)	4	4
2	LG2614	31A17-11200	Piston - (.25)	4	4
3	LG2615	31A17-11300	Piston - (.50)	4	4
4	LG2616	MM433921	Ring Set, Piston - (Std.)	4	4
-	LG2617	MM433922	Ring Set, Piston - (.25)	4	4
-	LG2618	MM433923	Ring Set, Piston - (.50)	4	4
5	LG2619	31A17-10600	Pin, Piston	4	4
6	LG2620	31A19-10021	Rod Assy, Connecting	4	-
7	LG2621	MD006704	Nut, Connecting Rod	8	8
8	LG2622	MD021105	Bolt, Connecting Rod	8	8
9	LG2623	31A19-01021	Rod Assy, Connecting	-	4
10	LG2624	MM437305	Metal Set, Con-Rod - (Std.)	4	4
-	LG2625	30A19-00010	Metal Set, Con-Rod - (.25)	4	4
-	LG2626	30A19-00020	Metal Set, Con-Rod - (.50)	4	4
-	LG2627	30A19-00030	Metal Set, Con-Rod - (.75)	4	4
11	LG2628	31A20-00102	Crankshaft	1	-
12	LG2629	31A20-00200	Crankshaft	-	1
13	LG2630	MF476215	Key, Woodruff	2	2
14	LG2630	MF450010	Washer, Plain	1	1
15	500215	MF450410	Washer, Spring (M18)	1	1
16	LG2632	MF430126	Nut (M18 - 1.5)	1	1
17	LG2633	31A20-22100	Pulley, Crankshaft	1	1
18	LG2634	MD952231	Bolt, Drive Plate	4	4
19	LG2635	MD002613	Bearing, Ball	1	1
20	LG2636	31A21-01070	Flywheel Sub Assy	1	1
21	LG2637	MD024812	Gear, Ring	1	1
22	LG2638	31A23-01302	Gear, Crankshaft	1	1

Notes

300 DTC/360 DTC

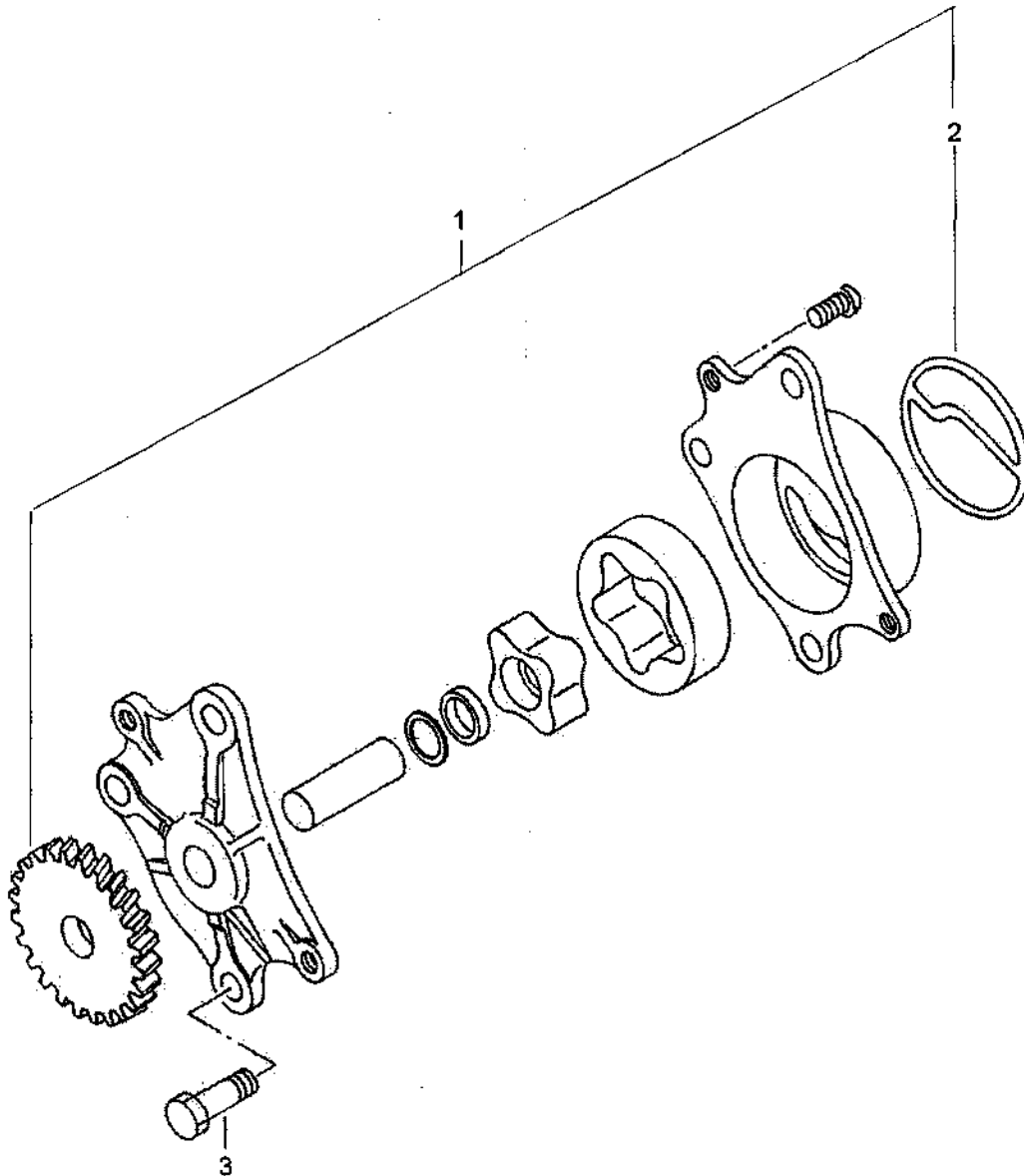
SECTION 4

OIL SYSTEM

 **Long Agribusiness**

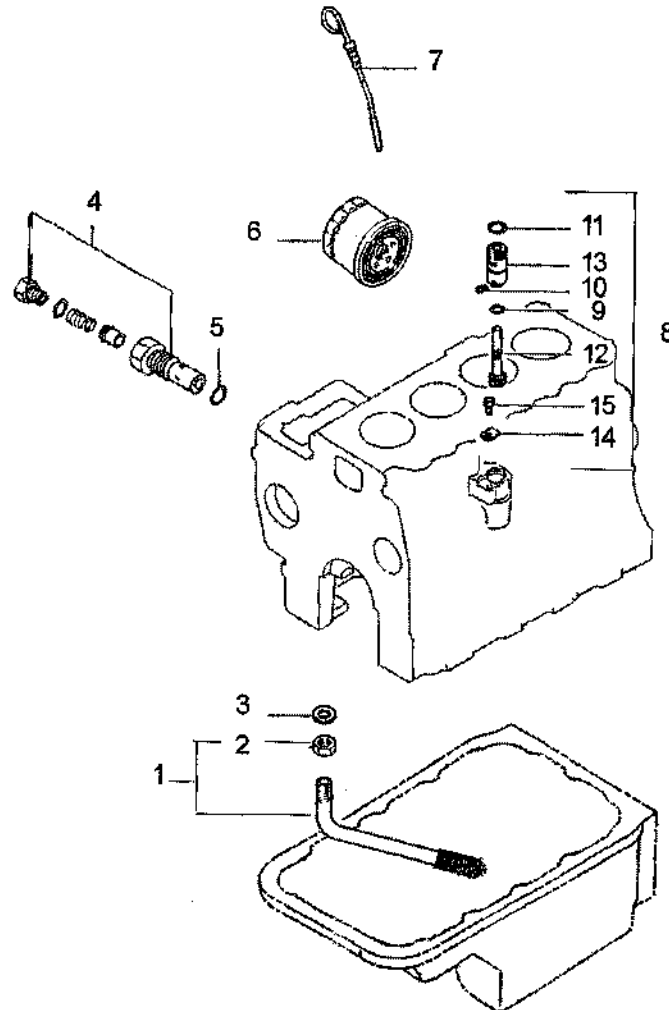
COMMON SENSE SOLUTIONS

ITEM No.	LONG No.	VENDOR No.	DESCRIPTION	QTY.	
				300 DTC	360 DTC
1-3	LG2653	31A35-30010	Pump Assy, Oil	1	1
2	LG2654	31A35-02300	Packing, Body	1	1
3	LG2655	F1035-08022	Bolt	3	3



Note: The shaft, inner rotor and gear which are force fitted to each other are not to be supplied individually.

ITEM No	LONG No.	VENDOR No.	DESCRIPTION	QTY.	
				300 DTC	360 DTC
1	LG2656	31A35-05050	Strainer Assy	1	1
2	LG2657	MF430729	Nut, Jam	1	1
3	LG2658	MF660036	Gasket	1	1
4	LG1679	32A36-05011	Valve Assy, Relief	1	1
5	LG1585	F4202-22000	Gasket	1	1
6	LG2659	MD134953	Filter Assy, Oil	1	1
7	LG2660	31A42-10100	Gauge, Oil Level	1	1
8	LG2661	MM430598	Driven Unit, Meter	1	1
9	LG2662	MD701788	O-Ring	1	1
10	LG2663	MF472535	Pin, Spring	1	1
11	LG2664	MF520012	O-Ring	1	1
12	LG2665	MM407171	Gear	1	1
13	LG2666	MM430419	Sleeve	1	1
14	LG2667	MD0701789	Plate	1	1
15	LG2668	F1805-06012	Bolt, w/Washer	1	1



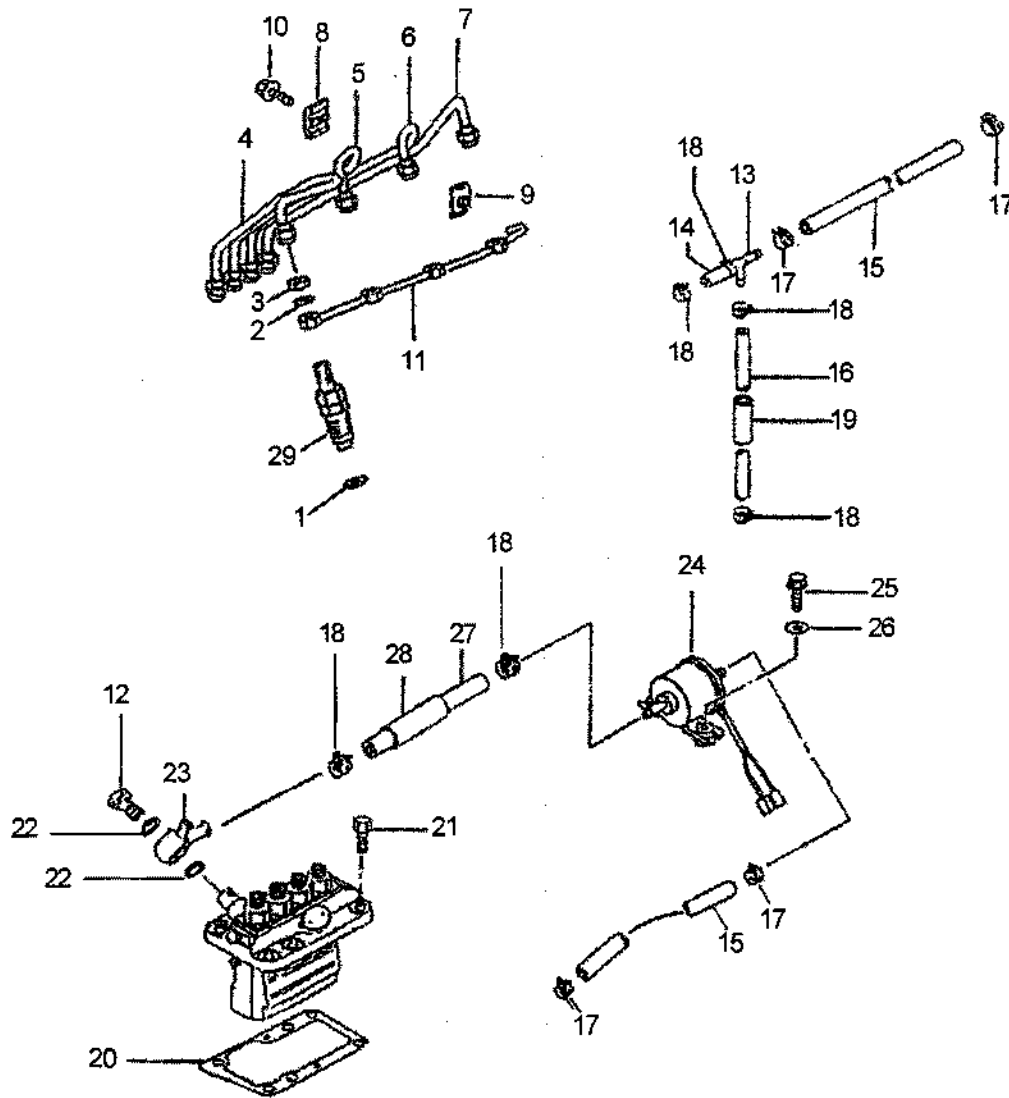
Notes

FUEL SYSTEM



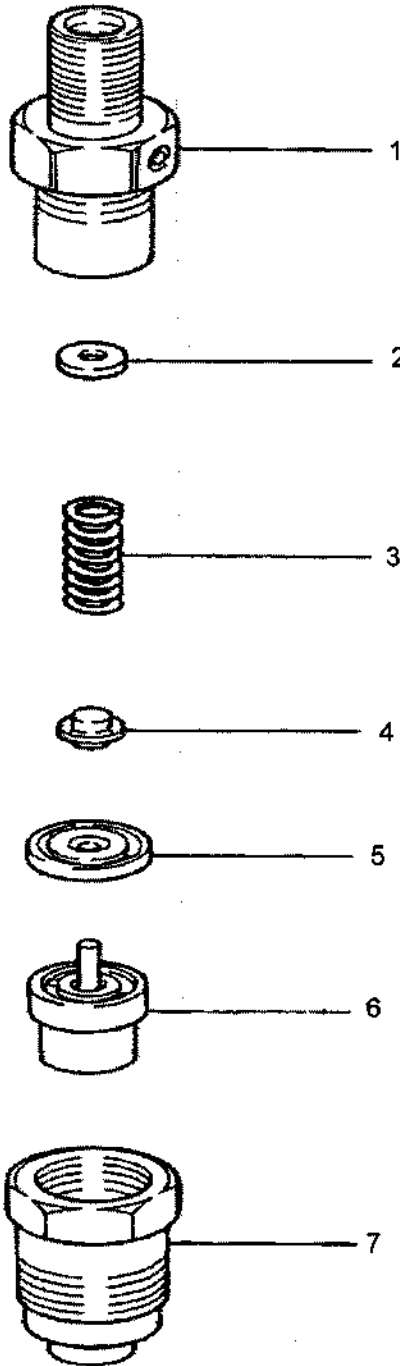
Long Agribusiness

COMMON SENSE SOLUTIONS



300 DTC/360 DTC

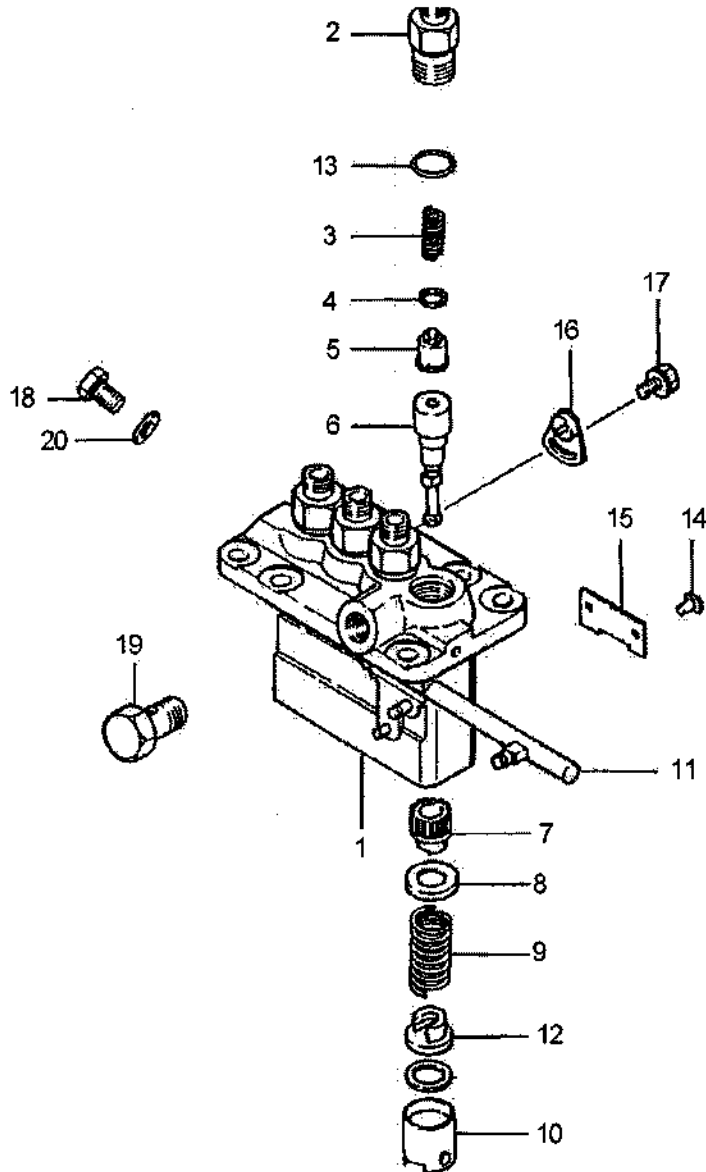
ITEM No	LONG No.	VENDOR No.	DESCRIPTION	QTY.	
				300 DTC	360 DTC
1	LG2692	MD070717	Gasket, Holder	4	4
2	LG2693	MD068355	Gasket, Fuel Return	4	4
3	LG2694	MD068353	Nut	4	4
4	LG2695	31A61-04100	Pipe, Injection No. 1	1	1
5	LG2696	31A31-04200	Pipe, Injection No. 2	1	1
6	LG2697	31A61-04300	Pipe, Injection No. 3	1	1
7	LG2698	31A61-04400	Pipe, Injection No. 4	1	1
8	LG1561	MM430703	Clamp (A)	3	3
9	LG1562	MM430614	Clamp (B)	3	3
10	LG1829	F1825-06025	Bolt, w/Washer	3	3
11	LG2699	31A61-12600	Pipe, Fuel Leak Off	1	1
12	LG3135	MM500100	Screw, Hollow	1	1
13	LG2701	MM400886	Joint	1	1
14	LG2702	MM430130	Hose, Fuel	1	1
15	LG2703	MS602063	Hose, Fuel	1	1
16	LG2704	MS604043	Hose, Fuel	1	1
17	LG2705	MS660163	Clip	4	4
18	LG2706	MS660169	Clip	4	4
19	LG2707	31A61-01200	Hose, Rubber	6	6
20	LG2708	MM409036	Shim - (0.7)	1	1
-	LG2709	MM409037	Shim - (0.8)	1	1
-	LG2710	MM409038	Shim - (0.9)	1	1
-	LG2711	MM409039	Shim - (1.0)	1	1
-	LG2712	MM409031	Shim - (0.2)	1	1
21	LG1810	F1035-08020	Bolt	6	6
22	LG2713	MK661-14000	Washer, Seal	2	2
23	LG2714	MM437140	Color, Union	1	1
24	LG2715	MM436739	Pump Assy, Fuel	1	1
25	LG2716	F1805-06025	Bolt, w/Washer	2	2
26	LG2717	MD107589	Washer	2	2
27	LG2719	MS602035	Hose, Fuel	2	2
28	LG2720	31A61-01300	Hose, Rubber	1	1
29	LG1621	MM435-94101	Nozzle & Holder Assy	4	4



NOZZLE ASSEMBLY

300 DTC/360 DTC

ITEM No	LONG No.	VENDOR No.	DESCRIPTION	QTY.	
				300 DTC	360 DTC
1-7	LG1621	MM435-94101	Nozzle & Holder Assy	4	4
1	LG3105	MM514048	Body Sub Assy	4	4
2	LG3107	MD603490	Washer (1.25)	AR	AR
-	LG3108	MD603491	Washer (1.3)	AR	AR
-	LG3109	MD603492	Washer (1.35)	AR	AR
-	LG3110	MD603493	Washer (1.4)	AR	AR
-	LG3111	MD603494	Washer (1.45)	AR	AR
-	LG3112	MD603495	Washer (1.5)	AR	AR
-	LG3113	MD603496	Washer (1.55)	AR	AR
-	LG3114	MD603497	Washer (1.6)	AR	AR
-	LG3115	MD603498	Washer (1.65)	AR	AR
-	LG3116	MD603499	Washer (1.7)	AR	AR
3	LG3106	MM514047	Spring, Pressure	4	4
4	LG2981	09312-10380	Pin, Pressure	4	4
5	LG2984	MM501841	Piece, Distance	4	4
6	LG3057	MD603660	Nozzle Assy	4	4
7	LG2983	MM514380	Nut, Nozzle Retaining	4	4

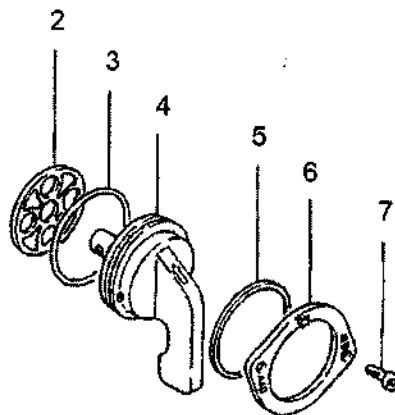
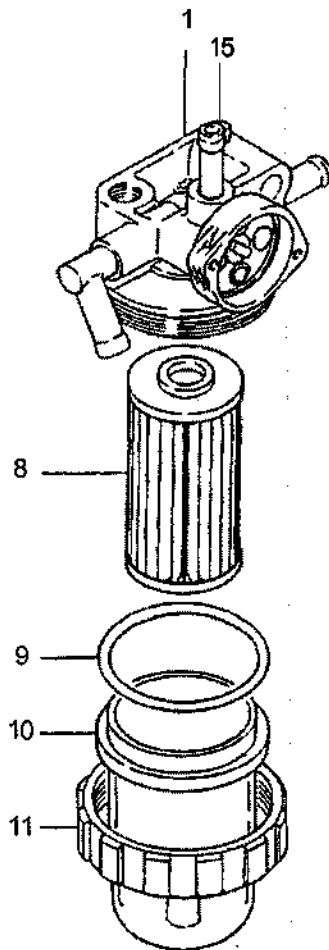
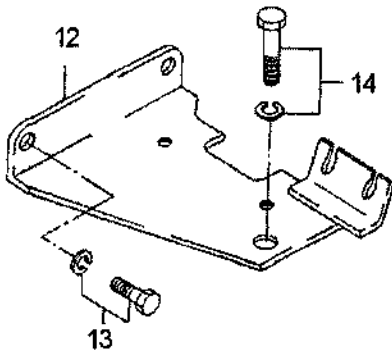


300 DTC/360 DTC

ITEM No	LONG No.	VENDOR No.	DESCRIPTION	QTY.	
				300 DTC	360 DTC
1-22	LG3088	31A65-20041	Pump Assy, Fuel Injection	1	-
1-22	LG3089	31A65-21040	Pump Assy, Fuel Injection	-	1
1	LG3117	47X01-04200	Housing Sub Assy	1	1
2	LG3118	MM501507	Holder, Delivery	4	4
3	LG3119	MM501385	Spring, Delivery	4	4
4	LG3120	MM5011856	Gasket, Delivery	4	4
5	LG3121	47X01-04300	Valve Sub Assy	4	-
-	LG3139	47X01-07700	Valve Sub Assy	-	4
6	LG3122	47X01-04400	Element Sub Assy	4	4
7	LG3123	MM500229	Sleeve, Control	4	4
8	LG3124	MM501098	Seat, Spring Upper	4	4
9	LG3125	MM500360	Spring, Plunger	4	4
10	LG3126	MM500230	Tappet Sub Assy	4	4
11	LG3127	MM501255	Rack Assy, Control	4	4
12	LG3128	MM500316	Seat, Spring Lower	4	4
13	LG3129	MM500438	O-Ring	4	4
14	LG3130	MM500231	Pin, Tappet Guide	4	4
15	LG3131	MM500232	Plate	2	2
16	LG3132	MM514109	Plate, Adjusting	3	3
17	LG3133	MM514195	Bolt, Washer Head	3	3
18	LG3134	MM501152	Screw, Air Bleeder	1	1
19	LG3135	MM500100	Screw, Hollow	1	1
20	LG3136	MM500578	Washer, Plate	1	1

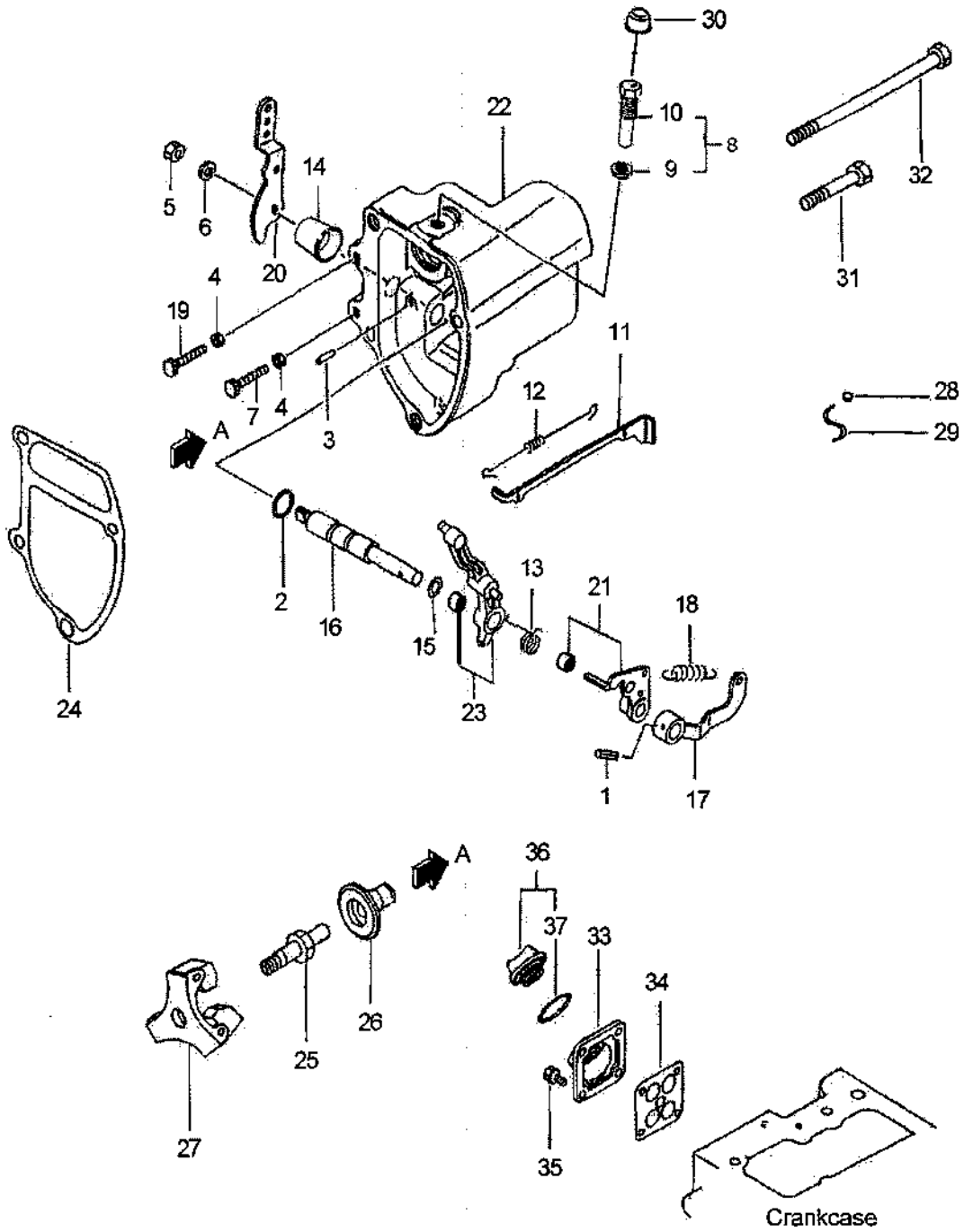
**300 DTC/360 DTC**

ITEM No	LONG No.	VENDOR No.	DESCRIPTION	QTY.	
				300 DTC	360 DTC
1	LG3293	A1040074	Hose, Fuel	1	1
2	LG3294	A1040075	Hose, Fuel Return	1	1
3	LG3511	A1040127	Cock, Fuel Tank	1	1
4	LG3952	A1040136	Hose, Fuel Filter	1	1
5-16	LG3953	A1040139	Fuel Tank Assy (Plastic)	1	1
5	LG3627	A0653104	Packing	5	5
6	LG1506	A1040052	Strainer, Fuel Tank	1	1
7	LG3628	A1040085	Tank, Fuel (Plastic)	1	1
8	LG3625	A1040086	Band, Fuel Tank (Plastic)	1	1
9	LG3629	A1040088	Sponge	1	1
10	LG3630	A1040089	Sponge (RH)	1	1
11	LG3631	A1040090	Sponge	2	2
12	LG3632	A1040093	Sponge (LH)	1	1
13	LG3612	A1040111	Cap Assy, Fuel (Plastic)	1	1
14	LG3633	A1040133	Sponge	2	2
15	LG1263	A1750176	Gauge, Fuel	1	1
16	LG3634	S227501211	Screw (M5 - 12)	5	5
17	LG3615	A1970201B	Clamp, Hose	6	6
18	N620013-S8		Nut, Hex (M8 - 1.25)	3	3
19	N630173-S8		Washer, Spring	2	2
20	LG3636	S365082013	Washer, Plain	3	3
21	905481		Cap, Fuel Tank Bolt	2	2



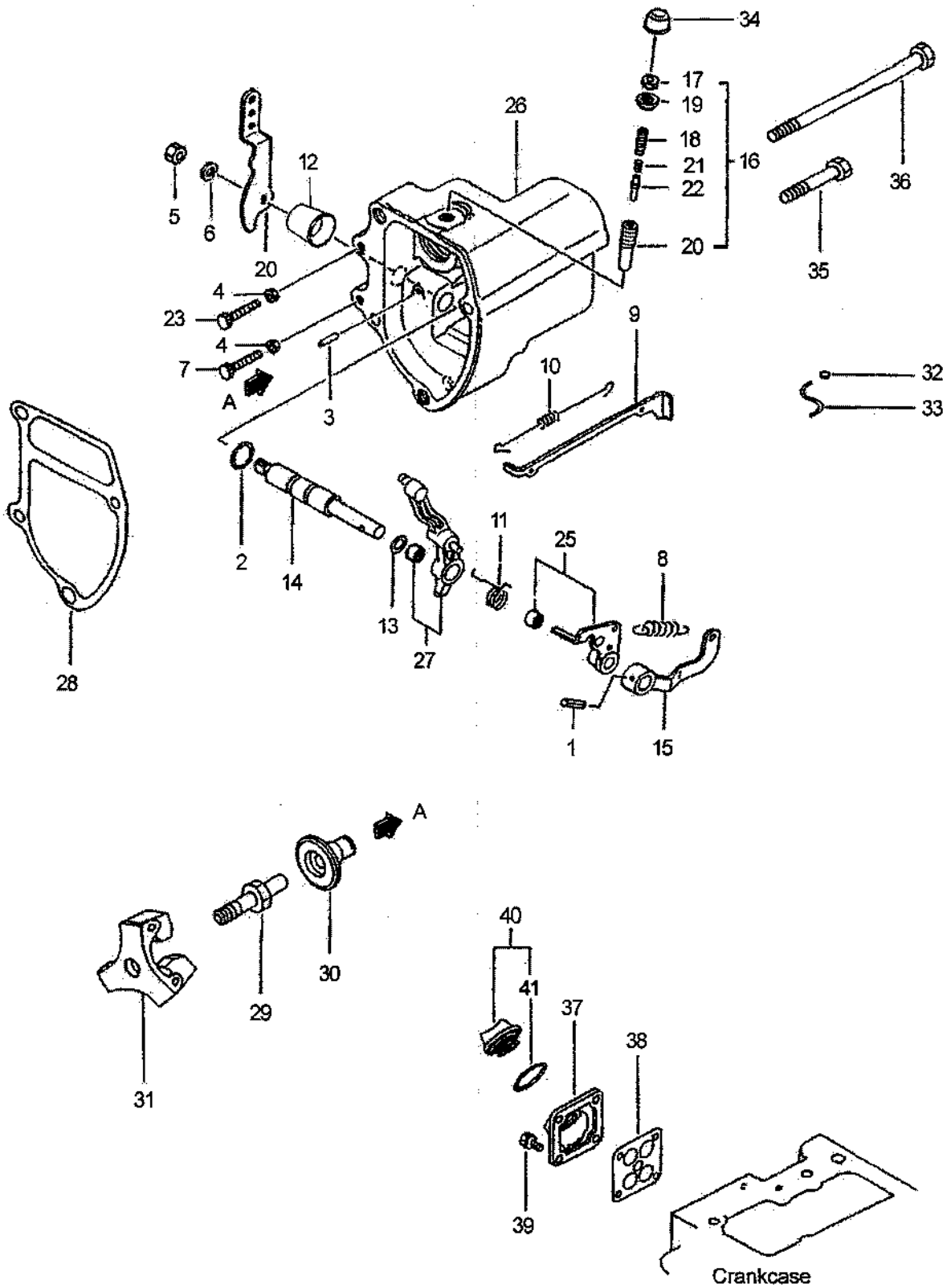
300 DTC/360 DTC

ITEM No	LONG No.	VENDOR No.	DESCRIPTION	QTY.	
				300 DTC	360 DTC
1-11	LG2722	MM438739	Filter Assy, Fuel	1	1
1	LG2723	MM438743	Body	1	1
2	LG2724	MM438748	Packing, Valve	1	1
3	LG2725	MM409866	O-Ring, Valve	1	1
4	LG2726	MM438747	Lever	1	1
5	LG2727	MM409864	Washer, Wave	1	1
6	LG2728	MM409865	Plate, Lever	1	1
7	LG2729	MF200003	Screw	2	2
8	LG2730	MM320886	Element	1	1
9	LG2731	MM409869	O-Ring, Filter Cup	1	1
10	LG2732	MM320881	Cup, Filter	1	1
11	LG2733	MM409868	Nut, Ring	1	1
12	LG2734	31A62-21100	Bracket, Fuel Filter	1	1
13	LG1818	F1805-08016	Bolt, w/Washer	2	2
14	LG1827	F1805-10020	Bolt, w/Washer	1	1
15	902385		Rubber Cap - Air Bleed Pipe	1	1



300 DTC

ITEM No	LONG No.	VENDOR No.	DESCRIPTION	QTY. 300 DTC
1-23	LG2490	31A63-55021	Case Assy, Governor	1
1	LG2735	F2850-03020	Pin, Spring	1
2	LG2736	F3150-01010	O-Ring	1
3	LG2737	K8712630	Pin, Grooved	1
4	LG2738	MF430004	Nut	2
5	LG2739	MF430725	Nut, Jam	1
6	LG2740	MF450405	Washer, Spring	1
7	LG2741	MM331-31701	Bolt, Speed Set	1
8	LG2742	30L63-00020	Screw Assy, Rack Set	1
9	LG2743	30L63-00600	Nut, Torque Set	1
10	LG2744	31A63-05601	Screw, Rack Set	1
11	LG2745	31A63-00400	Tie-Rod	1
12	LG2746	31A63-00500	Spring, Tie-Rod	1
13	LG2747	31A63-01400	Spring, Start	1
14	LG2748	31A63-01800	Cover, Governor	1
15	LG2749	31A63-02400	Shim, Governor Shaft	1
16	LG2750	31A63-02600	Shaft, Governor	1
17	LG2751	31A63-02700	Lever, Governor Spring	1
18	LG2752	31A63-03300	Spring, Governor	1
19	LG2753	31A63-07900	Bolt, Low Idle Set	1
20	LG2754	31A63-11301	Lever, Speed Control	1
21	LG2755	31A63-00071	Lever Assy, Tension	1
22	LG2756	31A63-22100	Case, Governor	1
23	LG2757	31A63-10090	Lever Assy, Governor	1
24	LG2758	31A63-12201	Gasket, Governor Case	1
25	LG2759	31A63-10305	Shaft, Sliding Sleeve	1
26	LG2760	31A63-20201	Sleeve, Sliding	1
27	LG2761	31A63-11061	Weight Assy, Governor	1
28	LG2762	MK992-00001	Metal	1
29	LG2763	MK993-00240	Wire	1
30	LG2764	MM433614	Cap, Torque Set	1
31	LG2601	F1035-08045	Bolt	3
32	LG2765	31A63-02300	Bolt, Governor Case	1
33	LG2766	MM435288	Oil, Inlet	1
34	LG2767	MM435229	Protector, Oil Inlet	1
35	LG2768	FI805-06018	Bolt, w/Washer	4
36	LG2769	MM300540	Cap Assy, Oil Filler	1
37	LG2770	MF520402	O-Ring	1

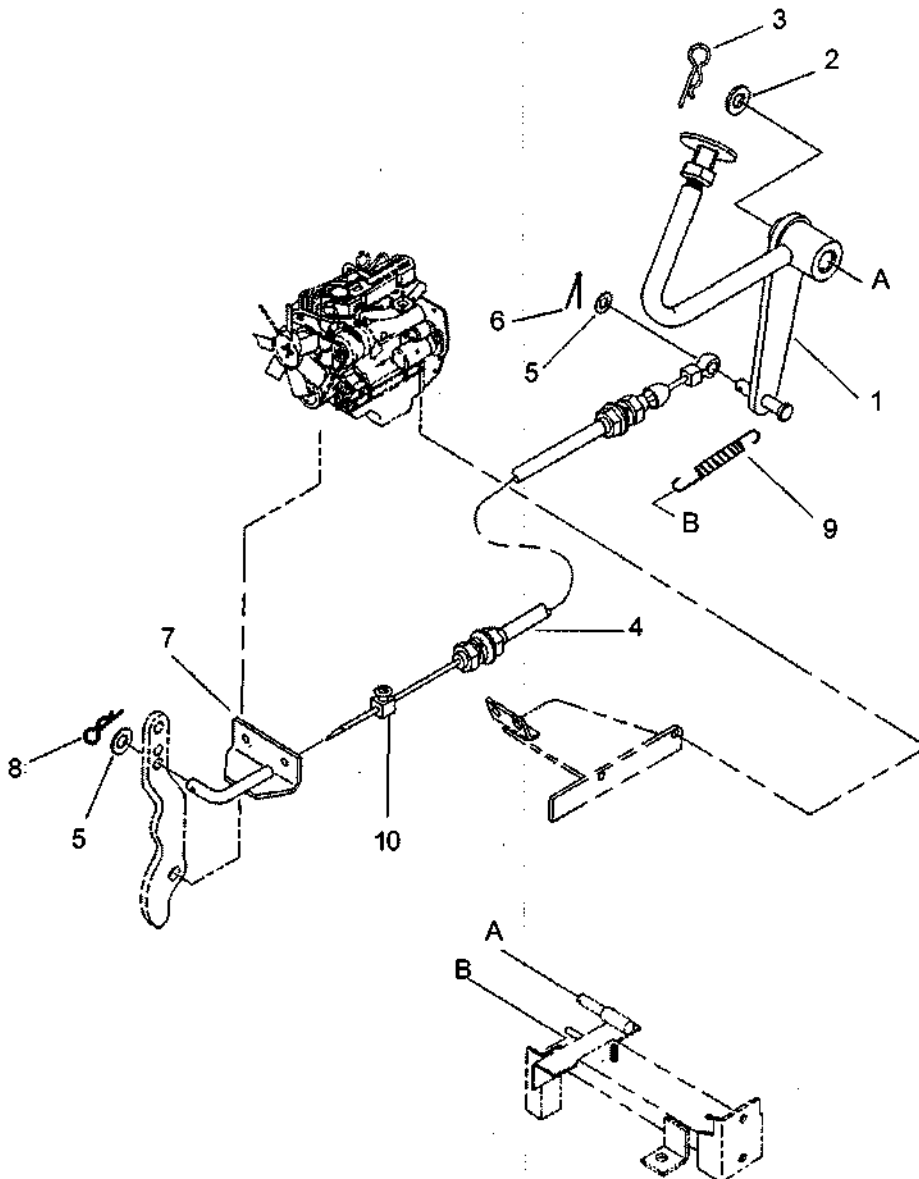


360 DTC

ITEM No	LONG No.	VENDOR No.	DESCRIPTION	QTY. 360 DTC
1-27	LG2771	31A63-09010	Case Assy, Governor	1
1	LG2735	F2850-03020	Pin, Ring	1
2	LG2736	F3150-01010	O-Ring	1
3	LG2737	K8712630	Pin, Grooved	1
4	LG2738	MF430004	Nut	2
5	LG2739	MF430725	Nut, Jam	1
6	LG2740	MF450405	Washer, Spring	1
7	LG2741	MM331-31701	Bolt, Speed Set	1
8	LG2772	MM433673	Spring	1
9	LG2745	31A63-00400	Tie-Rod	1
10	LG2746	31A63-00500	Spring, Tie-Rod	1
11	LG2747	31A63-01400	Spring, Start	1
12	LG2748	31A63-01800	Cover, Governor	1
13	LG2749	31A63-02400	Shim, Governor Shaft	1
14	LG2750	31A63-02600	Shaft, Governor	1
15	LG2751	31A63-02700	Lever, Governor Spring	1
16	LG2773	31A63-04040	Spring Set, Torque	1
17	LG2774	MD000961	Nut	1
18	LG2775	MD019845	Screw, Adjusting	1
19	LG2776	MM433233	Nut, Special	1
20	LG2778	MM434542	Case, Torque Spring	1
21	LG2779	MM435203	Spring, Torque	1
22	LG2780	31A63-04200	Stopper, Spring	1
23	LG2753	31A63-07900	Bolt, Low Idle Set	1
24	LG2754	31A63-11301	Lever, Speed Control	1
25	LG2755	31A63-00071	Lever Assy, Tension	1
26	LG2756	31A63-22100	Case, Governor	1
27	LG2757	31A63-10090	Lever Assy, Governor	1
28	LG2758	31A63-12201	Gasket, Governor Case	1
29	LG2759	31A63-10305	Shaft, Sliding Sleeve	1
30	LG2760	31A63-20201	Sleeve Sliding	1
31	LG2761	31A63-11061	Weight Assy, Governor	1
32	LG2762	MK992-00001	Metal	1
33	LG2763	MK993-00240	Wire	1
34	LG2764	MM433614	Cap, Torque Set	1
35	LG2601	F1035-08045	Bolt	3
36	LG2765	31A63-02300	Bolt	1
37	LG2766	MM435288	Oil Inlet	1
38	LG2767	MM435249	Protector, Oil Inlet	1
39	LG2768	F1805-06018	Bolt, w/Washer	4
40	LG2769	MM300540	Cap Assy, Oil Filler	1
41	LG2770	MF520402	O-Ring	1

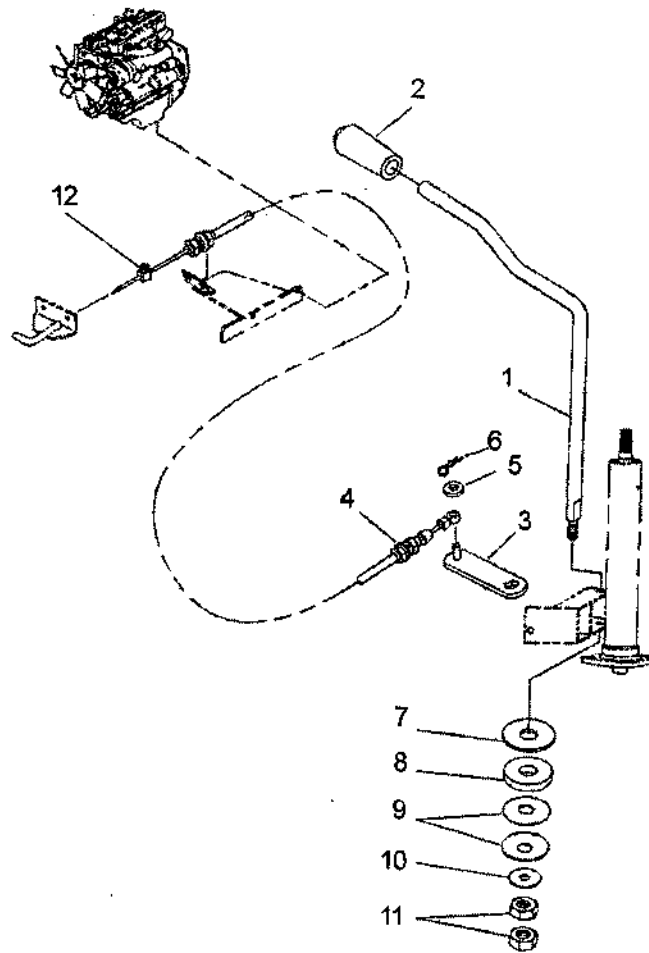
300 DTC/360 DTC

ITEM No.	LONG No.	VENDOR No.	DESCRIPTION	QTY.	
				300 DTC	360 DTC
1	LG2074	A1100057	Pedal, Accelerator	1	1
2	N630070-S8		Washer, Plain	1	1
3	LG1872	S443120013	Pin, Hair	1	1
4	LG1536	A1100045	Wire, Accelerator Pedal	1	1
5	LG1891	A1970286	Washer, Plastic	2	2
6	500300		Pin, Cotter	1	1
7	LG3297	A1100059	Rod, Engine Control	1	1
8	LG1870	S443060013	Pin, Hair	1	1
9	LG1495	3A1100008	Spring, Return	1	1
10	905146		Push-Pull Cable Clamp	1	1



300 DTC/360 DTC

ITEM No	LONG No.	VENDOR No.	DESCRIPTION	QTY.	
				300 DTC	360 DTC
1	LG2070	A1100052	Lever Engine, Accelerator	1	1
2	LG2042	A0710037	Grip	1	1
3	LG2071	A1100053	Arm, Engine Control	1	1
4	LG2072	A1100054	Wire, Accelerator Lever	1	1
5	LG1891	A1970286	Washer, Plastic	1	1
6	LG1870	S443060013	Pin, Hair	1	1
7	LG2075	A1100058	Plate, Friction	1	1
8	N630070-S8		Washer, Plain	1	1
9	LG1894	S373120023	Spring, Plate	2	2
10	N630068-S8		Washer, Plain	1	1
11	N620013-S8		Nut, Hex (M8 - 1.25)	2	2
12	905146		Push-Pull Cable Clamp	1	1



Notes

300 DTC/360 DTC

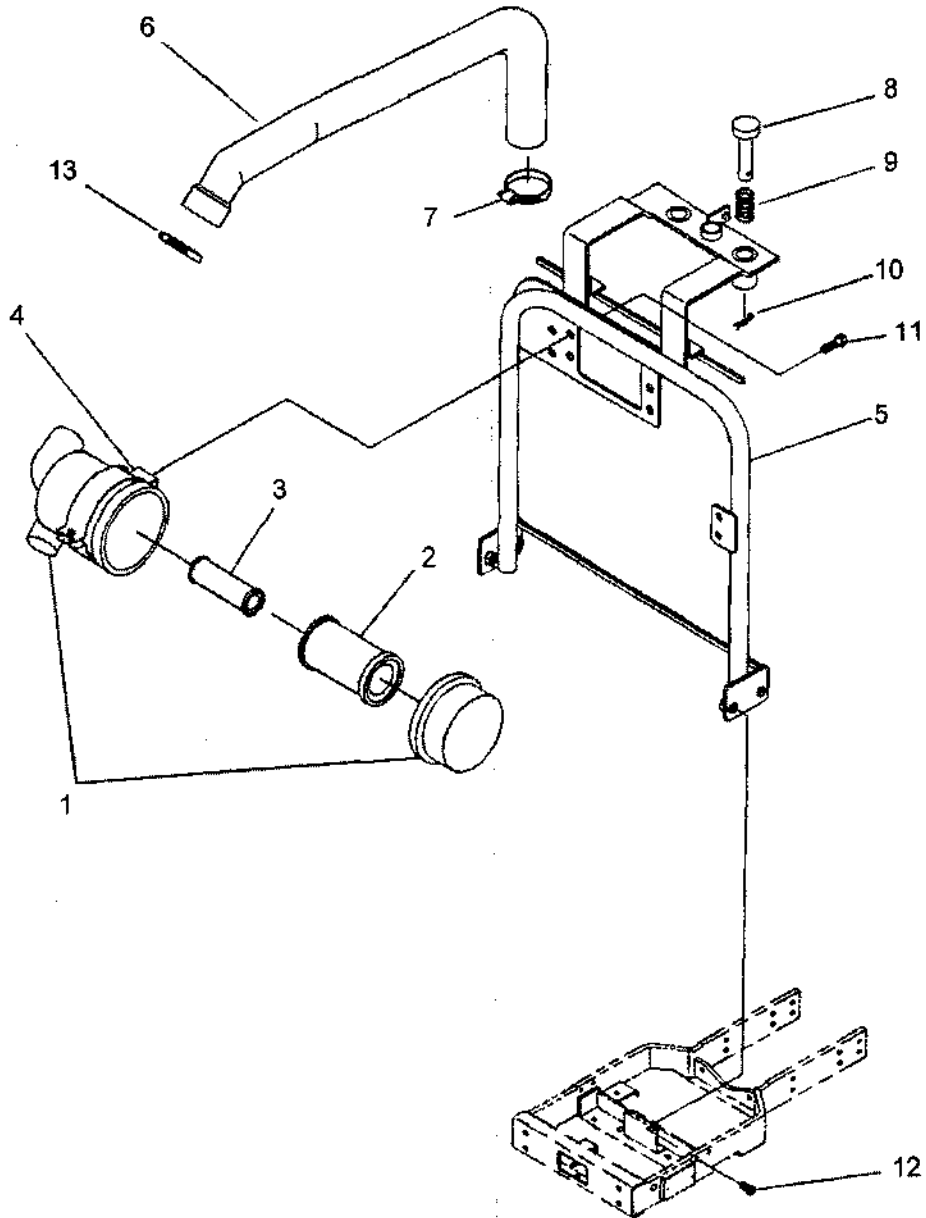
SECTION 6



AIR CLEANER

 **Long Agribusiness**

A COMMON SENSE SOLUTION





300 DTC/360 DTC

ITEM No.	LONG No.	VENDOR No.	DESCRIPTION	QTY.	
				300 DTC	360 DTC
1-3	LG2086	A1190110	Air Cleaner Assy	1	1
1	LG3303	A1190117	Body Assy	1	1
2	LG3304	A1190111	Filter Cartridge, Primary	1	1
3	LG3305	A1190112	Filter Cartridge, Safety	1	1
4	LG1043	A1190113	Clamp, Air Cleaner	1	1
5	LG2088	A1190115	Support, Air Cleaner	1	1
6	LG3306	A1190114	Hose, Air Cleaner	1	1
7	LG3301	A1970201H	Clamp, Hose	1	1
8	LG1898	A1830261	Pin, Clevis	2	2
9	LG2040	A0690127	Spring	2	2
10	LG1872	S443120013	Pin, Hair	2	2
11	LG1897	S155082033	Bolt, Hex w/Washer (M8 - 1.25 x 20)	2	2
12	LG1899	S154103533	Bolt, Hex (M10 - 1.25 x 35)	4	4
13	LG3307	A1970201K	Clamp, Hose	1	1

Notes

300 DTC/360 DTC

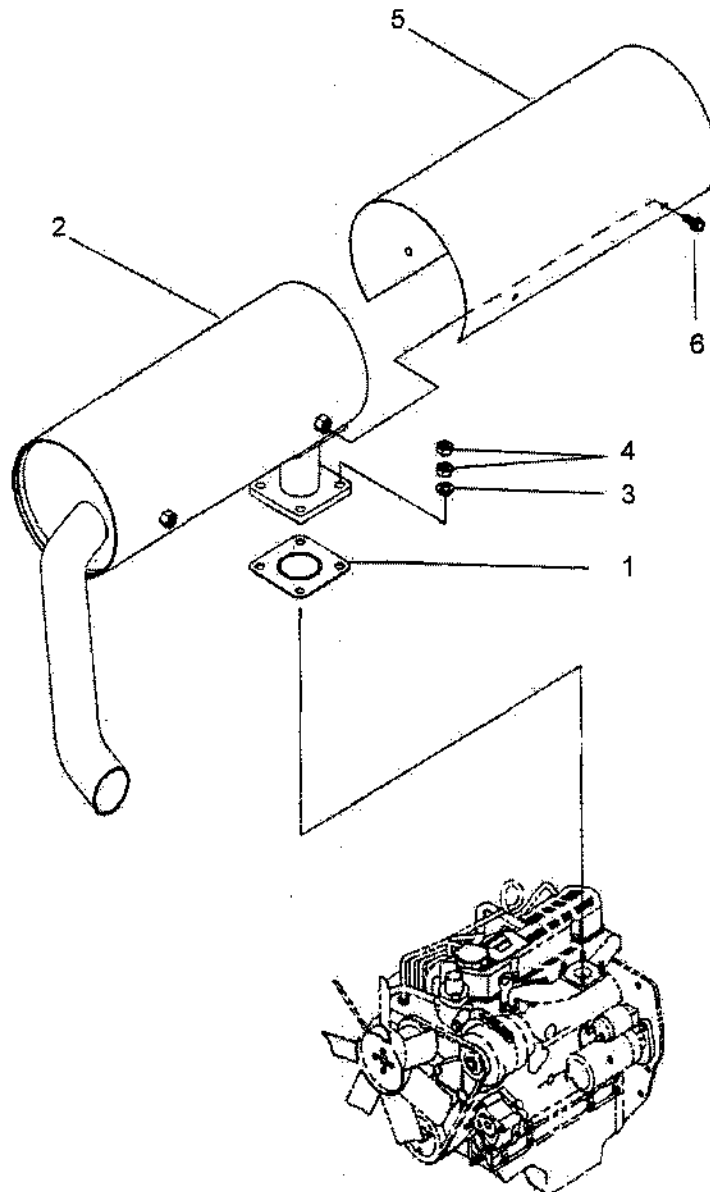
SECTION 7

EXHAUST SYSTEM

 **Long Agribusiness**

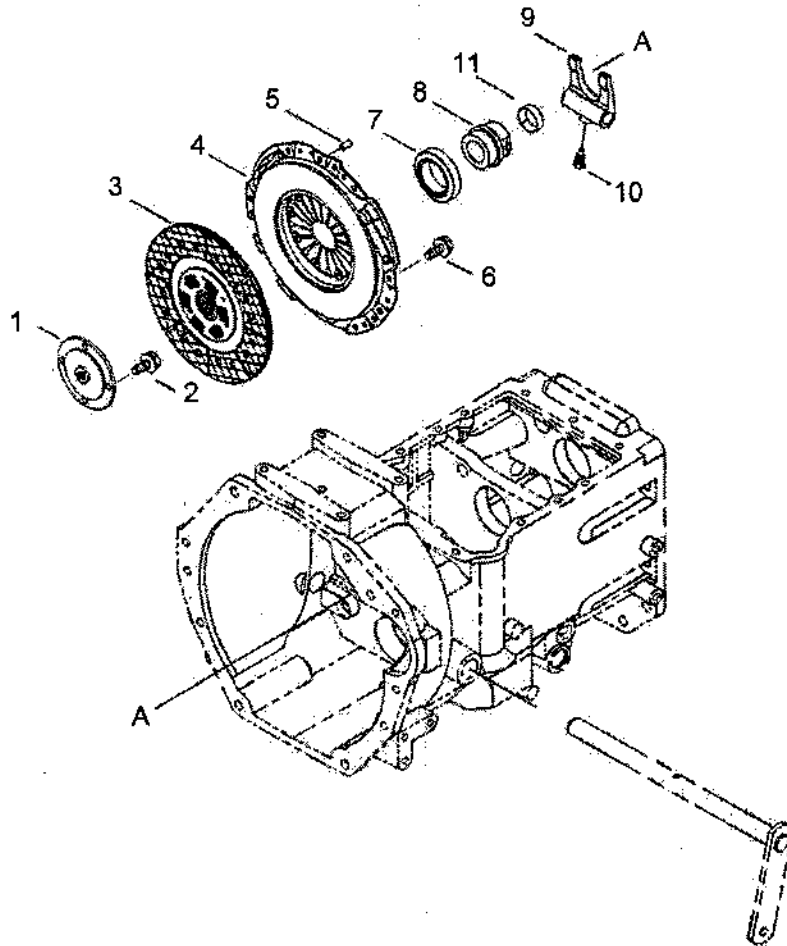
COMMON SENSE SOLUTIONS

ITEM No.	LONG No.	VENDOR No.	DESCRIPTION	QTY.	
				300 DTC	360 DTC
1	LG3298	A1151101	Gasket, Muffler	1	1
2	LG3299	A1151102	Muffler	1	1
3	N630173-S8		Washer, Spring (M15.4 x 8.2 x 2.0)	4	4
4	N620013-S8		Nut, Hex (M8 - 1.25)	8	8
5	LG3300	A1151103	Cover, Muffler	1	1
6	LG1895	S159061233	Bolt, Hex w/Washer(M6 - 1.0 x 12)	4	4



CLUTCH

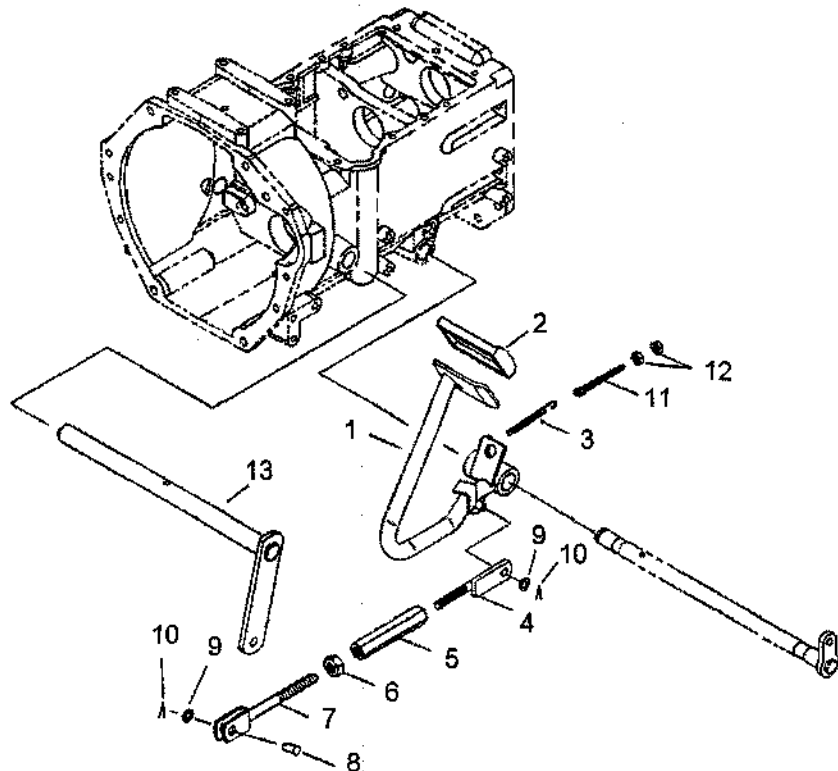
ITEM No.	LONG No.	VENDOR No.	DESCRIPTION	QTY.	
				300 DTC	360 DTC
1	LG2132	A1281428	Sleeve, Fly Wheel	1	1
2	LG1863	S154102533	Bolt, Hex (M10 - 1.25 x 25)	4	4
3-4	LG2097	A1250111	Clutch Assy	1	1
3	LG2095	A1250107	Clutch Disk Assy	1	1
4	LG2094	A1250094	Clutch Cover Assy	1	1
5	LG1903	S423081610	Pin, Dowel D8 x 16L	3	3
6	LG1904	S153082533	Bolt, Hex (M8 - 1.25 x 25)	6	6
7	LG2092	A1250062	Bearing, Release	1	1
8	LG3309	A1250112	Hub, Release Bearing	1	1
9	LG2091	A1250045	Lever, Clutch Shift	1	1
10	LG1782	A1250047	Bolt, Locking (M12 - 1.25)	1	1
11	LG1905	A1250113	Bushing	1	1



BRAKE AND CLUTCH CONTROLS

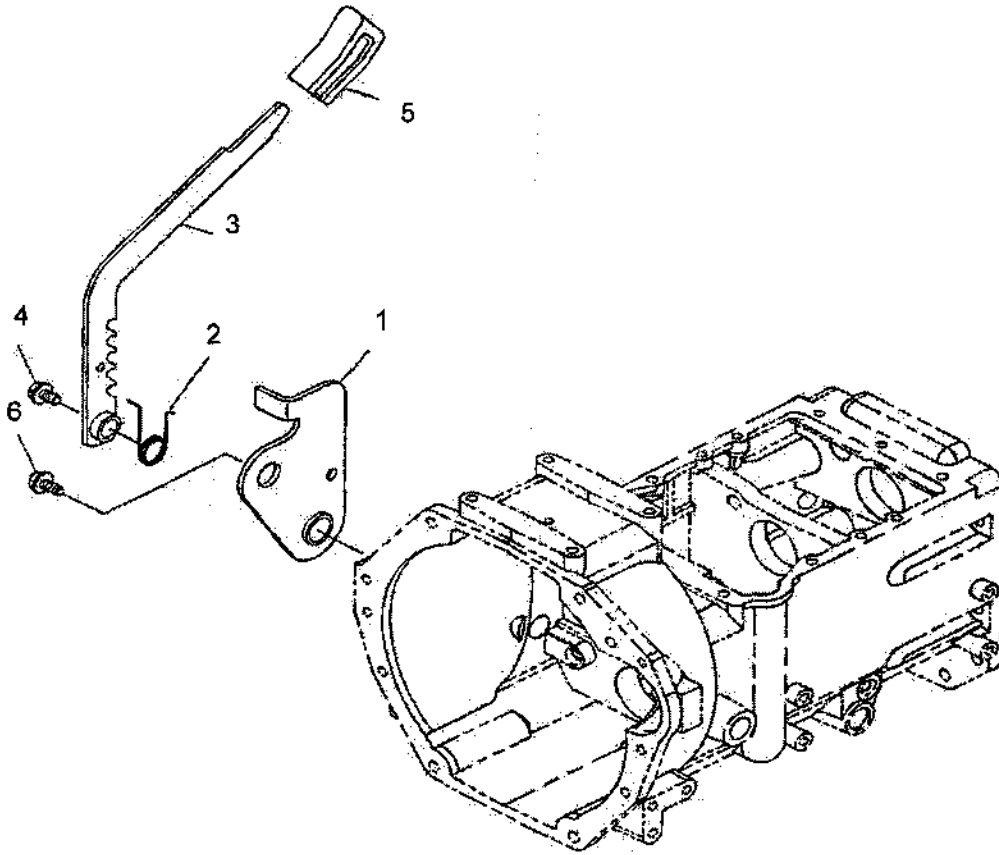
300 DTC/360 DTC

ITEM No.	LONG No.	VENDOR No.	DESCRIPTION	QTY.	
				300 DTC	360 DTC
1	LG3675	A1260066	Pedal, Clutch	1	1
2	LG1304	A1670084	Pad, Pedal	1	1
3	LG2314	A1670158	Spring, Return	1	1
4-7	LG2099	A1260054	Clutch Link Assy	1	1
4	LG3310	A1260052	Link (B)	1	1
5	LG3311	A1260027	Joint	1	1
6	500307		Nut, Hex	1	1
7	LG3312	A1260055	Link (A)	1	1
8	LG1317	S427102013	Pin, Clevis D10 x 20L	1	1
9	N630069-S8		Washer, Plain (18 x 10.5 x 2.0)	2	2
10	N642565-S8		Pin, Cotter	2	2
11	LG2479	A3870470	Adjuster (M8 - 1.25)	1	1
12	N620013-S8		Nut, Hex (M8 - 1.25)	2	2
13	LG2100	A1260056	Shaft, Clutch Lever	1	1

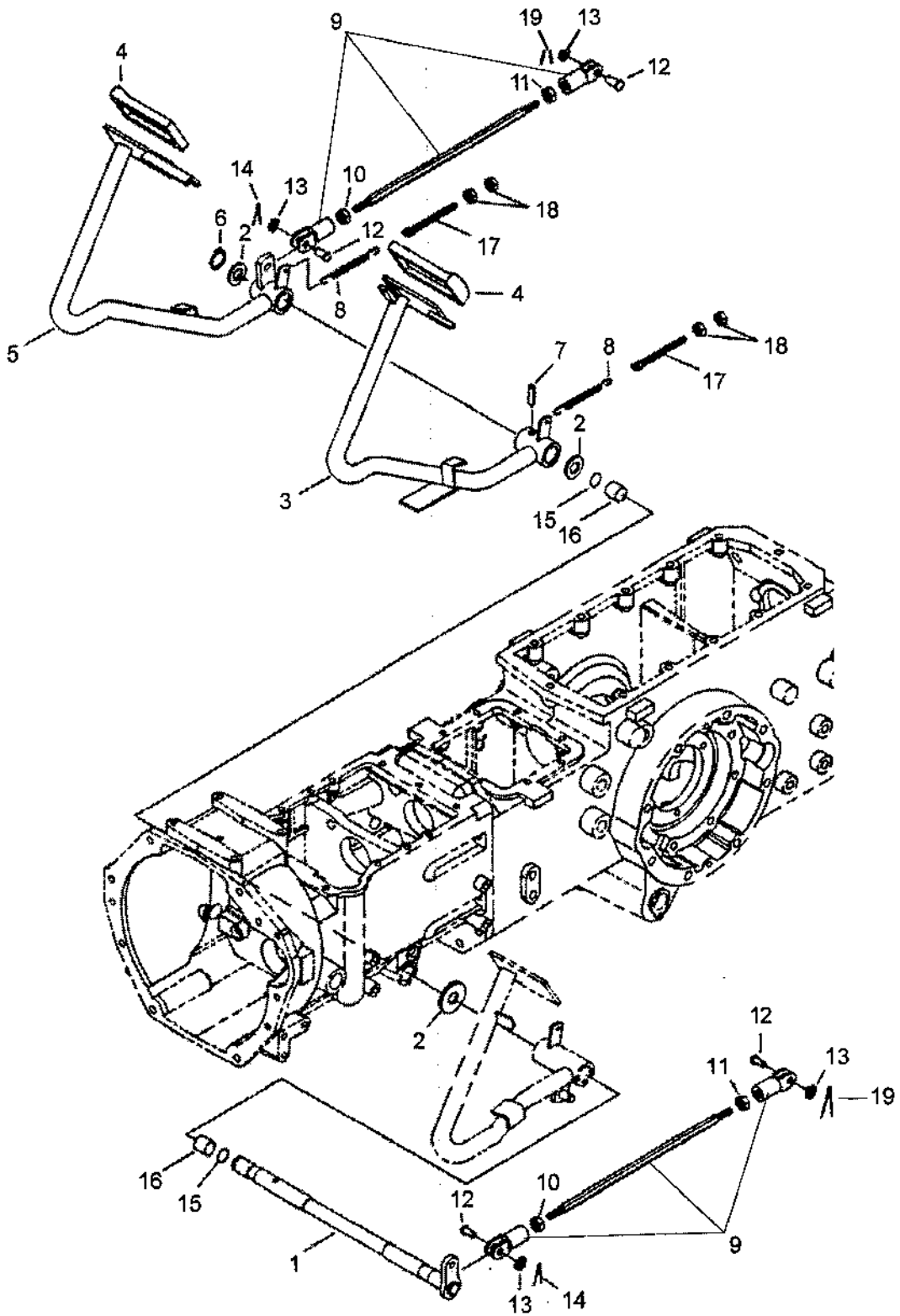


300 DTC/360 DTC

ITEM No.	LONG No.	VENDOR No.	DESCRIPTION	QTY.	
				300 DTC	360 DTC
1	LG2313	A1670156	Bracket	1	1
2	LG2312	A1670154	Spring	1	1
3	LG2311	A1670153	Ratchet, Parking	1	1
4	LG1913	S156103533	Bolt, Hex w/Washer (M10 - 1.25 x 35)	2	2
5	LG1199	A1970241	Grip	1	1
6	LG1916	S156102533	Bolt, Hex w/Washer (M10 - 1.25 x 25)	1	1

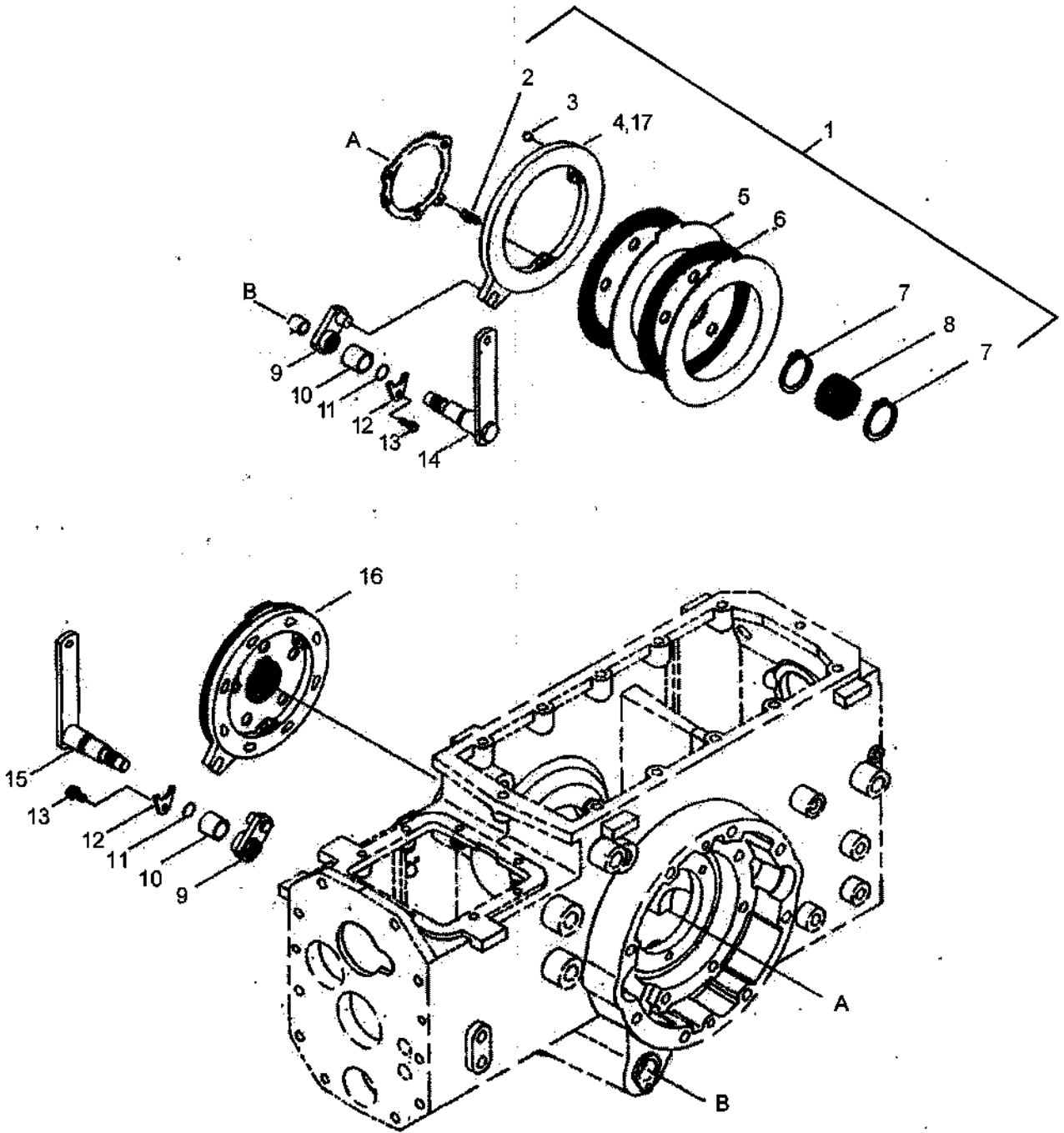


PARKING BRAKE LEVER



300 DTC/360 DTC

ITEM No.	LONG No.	VENDOR No.	DESCRIPTION	QTY.	
				300 DTC	360 DTC
1	LG2310	A1670152	Shaft, Brake Pedal	1	1
2	N630074-S8		Washer, Flat (M44 x 25 x 4.0)	3	3
3	LG2308	A1670150	Pedal, Brake (LH)	1	1
4	LG1304	A1670084	Pad, Pedal	2	2
5	LG2309	A1670151	Pedal, Brake (RH)	1	1
6	N661221-S		Ring, Snap (M25 x 1.2)	1	1
7	N646684-S8		Pin, Spring (M8 x 40)	1	1
8	LG2314	A1670158	Spring	2	2
9	LG2307	A1670146	Brake Rod Assy	2	2
10	N620014-S8		Nut, Hex (M10 - 1.5) (R)	1	1
11	LG1910	A0611050	Nut, Hex (M10 - 1.5)	1	1
12	LG1911	A1670118	Pin, Clevis (M10 x 26)	4	4
13	N630069-S8		Washer, Plain (M18 x 10.5 x 2.0)	4	4
14	N642565-S8		Pin, Cotter (M3.0 x 20)	2	2
15	LG1297	S801025010	O-Ring P25 (25 x 3.5)	2	2
16	LG2464	A1970203	Bushing	2	2
17	LG2479	A3870470	Adjuster (M8 - 1.25)	2	2
18	N620013-S8		Nut, Hex (M8 - 1.25)	4	4
19	LG1872	S443120013	Pin, Clip (M12 x 35.8)	2	2



**300 DTC/360 DTC**

ITEM No.	LONG No.	VENDOR No.	DESCRIPTION	QTY.	
				300 DTC	360 DTC
1	LG2297	A1650072	Brake Assy (LH)	1	1
2	LG2010	3A1653010	Spring	6	6
3	LG2009	3A1653007	Ball (1/2")	16	16
4	LG2301	A1650077	Plate, Cam (LH)	1	1
5	LG1361	A1653065	Plate, Pressure	4	4
6	LG1090	A1653063	Plate, Friction	4	4
7	N661242-S		Ring, Snap (M58 x 2)	4	4
8	LG2302	A1650078	Boss, Spline	2	2
9	LG2303	A1650079	Inner Arm, Brake	2	2
10	LG2039	A0677612	Bushing, DU (25 x 22 x 21)	2	2
11	LG1276	S801022010	O-Ring P22 (22 x 2.4)	2	2
12	LG2304	A1650080	Plate, Brake Lever	2	2
13	LG1862	S154102033	Bolt, Hex (M10 - 1.25 x 20)	2	2
14	LG2298	A1650073	Lever, Brake (LH)	1	1
15	LG2305	A1650081	Lever, Brake (RH)	1	1
16	LG2296	A1650071	Brake Assy (RH)	1	1
17	LG3368	A1650076	Plate, Cam (RH)	1	1

Notes

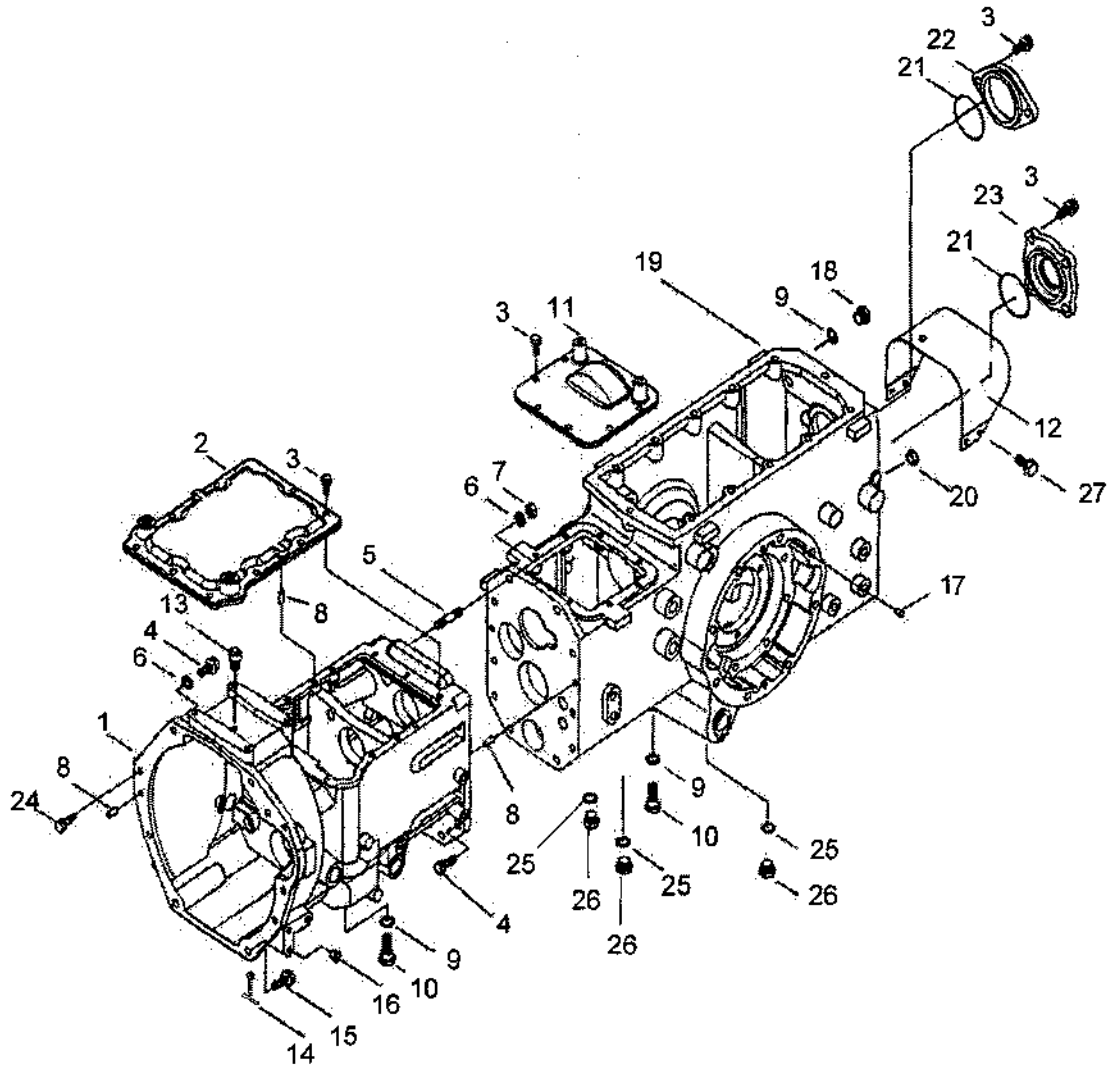
300 DTC/360 DTC

SECTION 10

GEARBOX

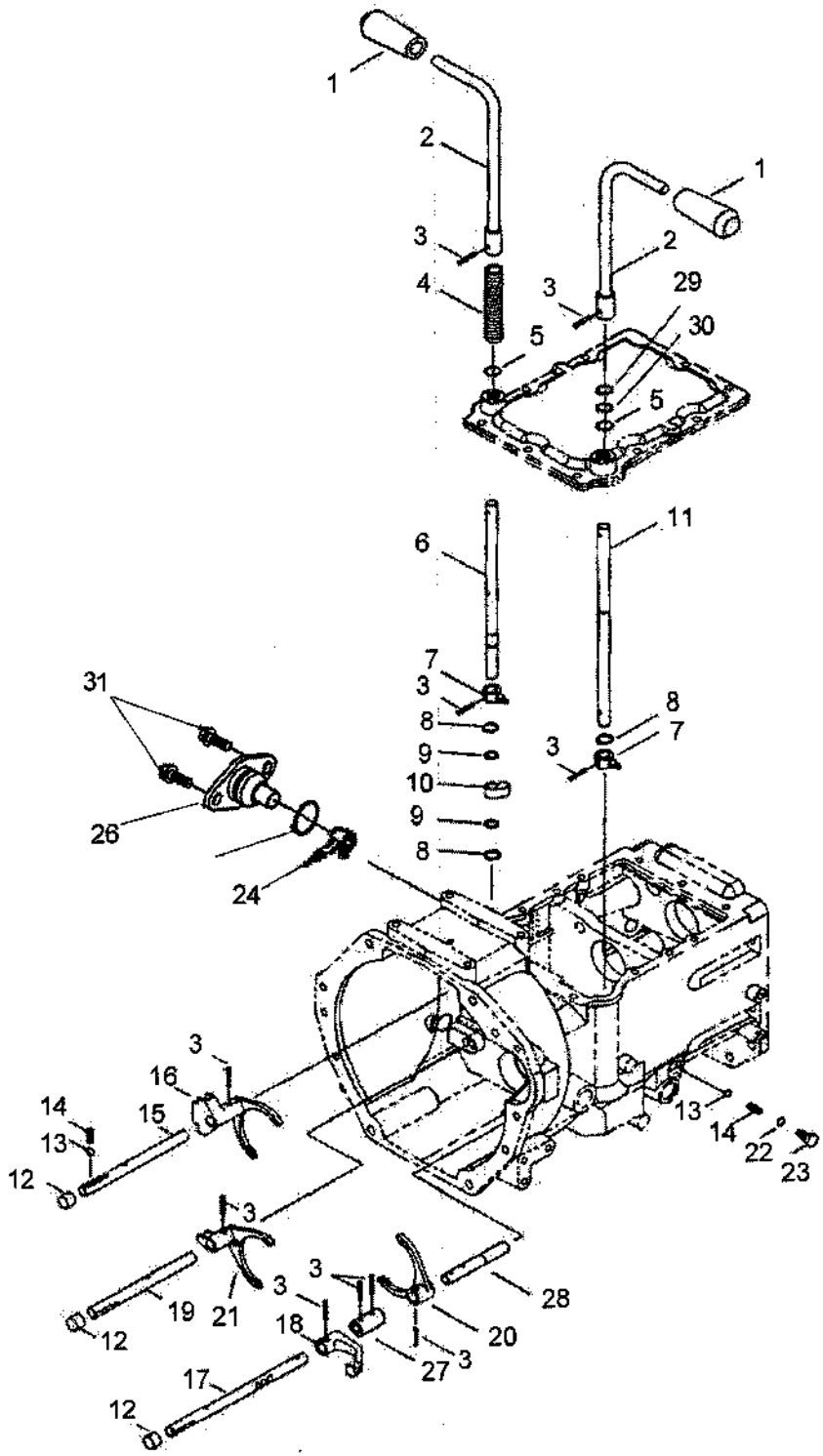
 **Long Agribusiness**

COMMON SENSE SOLUTIONS



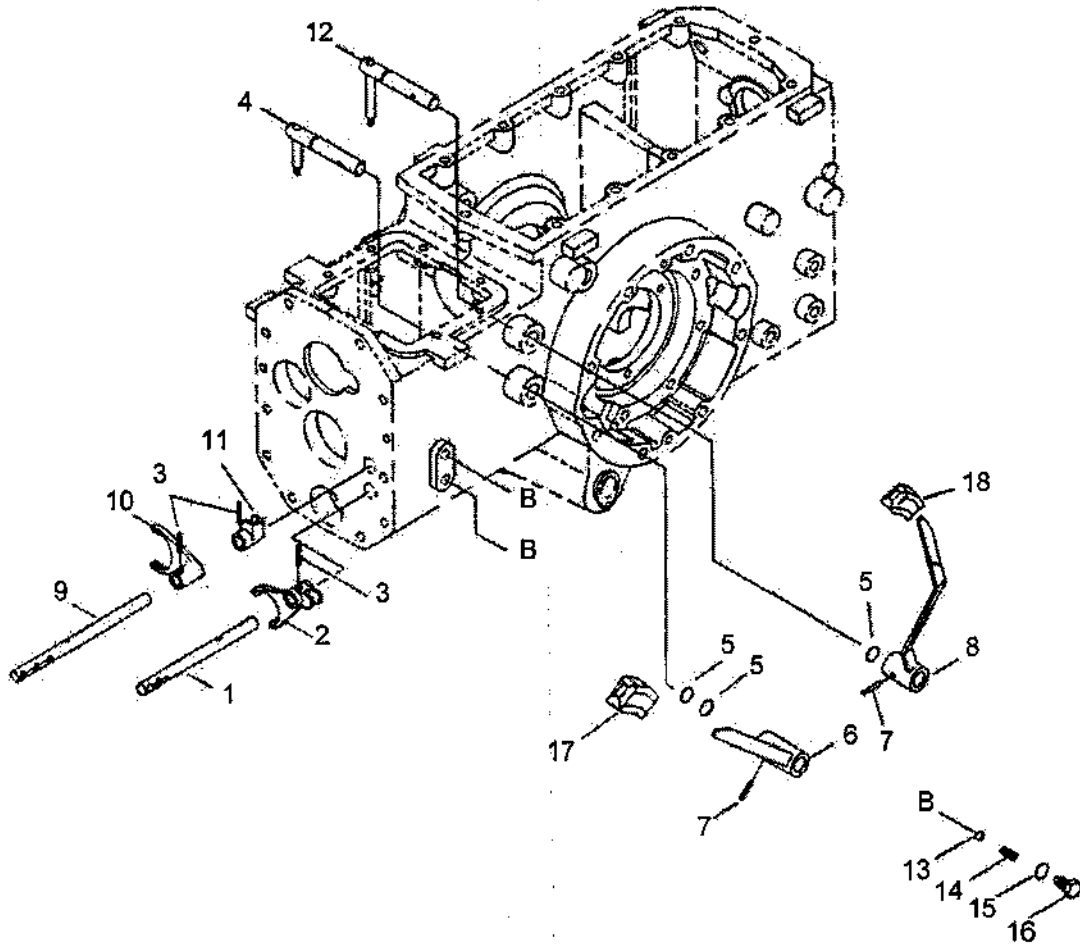
300 DTC/360 DTC

ITEM No.	LONG No.	VENDOR No.	DESCRIPTION	QTY.	
				300 DTC	360 DTC
1	LG2096	A1250109	Housing, Clutch	1	1
2	LG2215	A1292125	Cover, Clutch Housing	1	1
3	LG1863	S154102533	Bolt, Hex (M10 - 1.25 x 25)	24	24
4	500235		Bolt, Hex (M12 - 1.75 x 35)	14	14
5	LG1906	S139123523	Bolt, Stud (M12 - 1.75 x 35)	2	2
6	N630175-S8		Washer, Spring (M21.5 x 12.2)	19	19
7	N620015-S8		Nut, Hex (M12 - 1.75)	2	2
8	LG1325	S423102010	Pin, Dowel (M10 x 20)	6	6
9	LG1395	A10263360	Seal (M26 x 20 x 1)	3	3
10	LG1771	3A1250013	Plug, Magnet	2	2
11	LG2103	A1280088	Cover, Axle Case	1	1
12	LG3313	A1280102	Shield, PTO	1	1
13	LG1002	A1250049	Air Vent	1	1
14	72093-S8		Pin, Cotter (1/4x1 3/4)	1	1
15	N600414-S8		Bolt, Hex Small (M12 - 1.75 x 45)	2	2
16	LG1777	3A1970068	Plug, Drain	6	6
17	LG1003	A1280046	Breather, Air	2	2
18	LG1781	A0610281	Plug, Drain	1	1
19	LG3314	A1280121	Case, Axle	1	1
20	LG2104	A1280094	Gauge, Sight	1	1
21	LG1301	S804070010	O-Ring S70 (70 x 2.0)	2	2
22	LG3315	A1280090	Cover, PTO Drive Shaft	1	1
23	LG3316	A1280115	Cover, PTO Shaft	1	1
24	LG1907	S105125543	Bolt, Hex Small (M12 - 1.25 x 55)	1	1
25	LG3317	Q0650006	Gasket (26 x 18 x 1.0)	3	3
26	LG1908	A1280116	Plug, Drain (M18 - 1.5)	3	3
27	LG1909	S156102033	Bolt, Hex (M10 - 1.25 x 20)	4	4



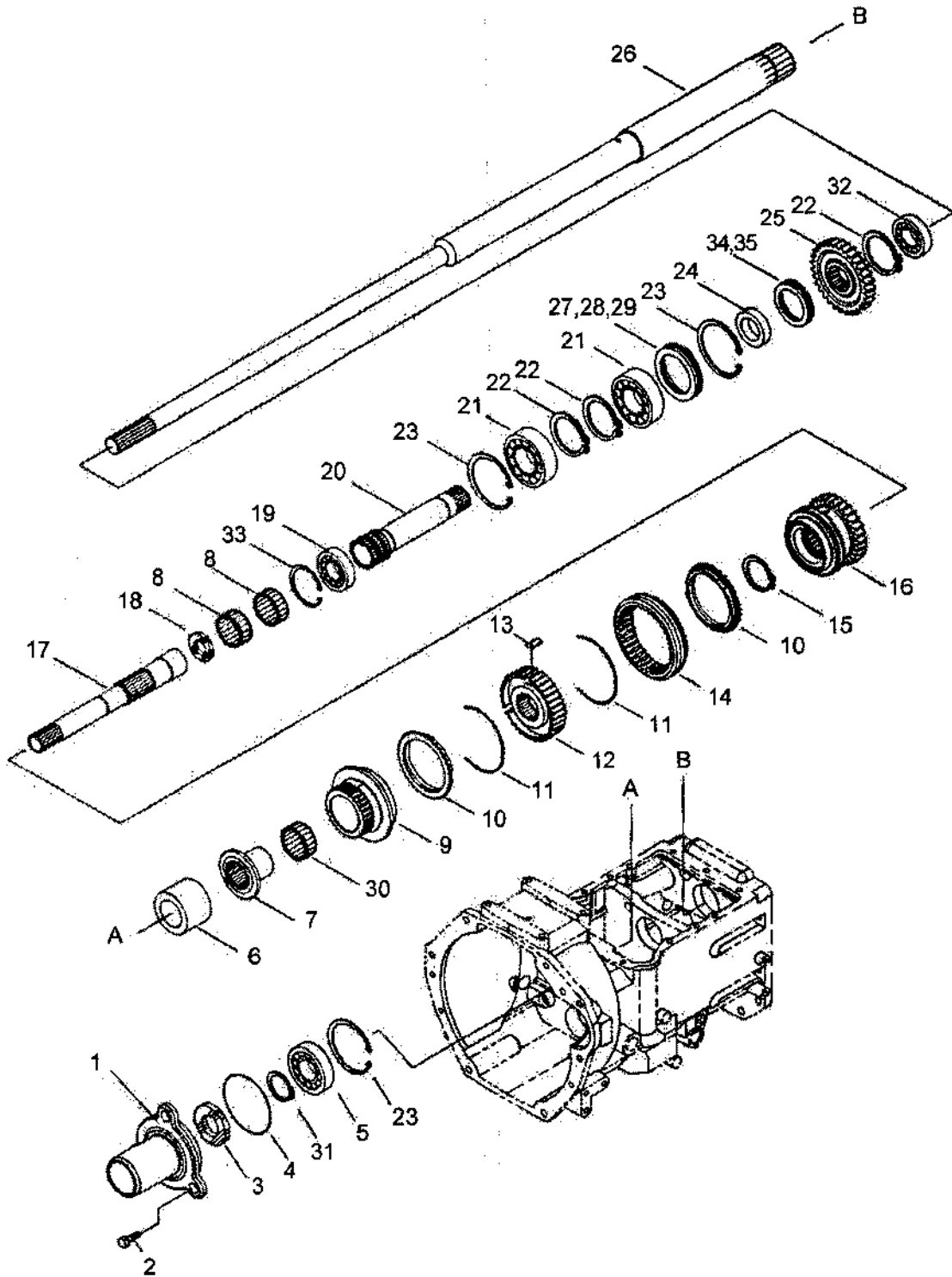
300 DTC/360 DTC

ITEM No.	LONG No.	VENDOR No.	DESCRIPTION	QTY.	
				300 DTC	360 DTC
1	LG2472	A1970275	Grip	2	2
2	LG2216	A1292126	Hand Lever, Change	2	2
3	N64663-S8		Pin, Spring (M6 x 25)	10	10
4	LG2218	A1292129	Spring	1	1
5	LG1293	S801016010	O-Ring P16 (20 x 2.4)	2	2
6	LG2192	A1290102	Lever, Main Change	1	1
7	LG2190	A1290100	Arm, Main 1st	2	2
8	N661212-S		Ring, Snap (M16 x 1)	3	3
9	LG2038	A0660026	Shim (M25 x 16 x 4.2)	6	6
10	LG2189	A1290098	Adaptor	1	1
11	LG2191	A1290101	Lever, F-R	1	1
12	LG1026	3A1290009	Cap, Rail	3	3
13	LG1707	A20063390	Ball, Shifter Fork	2	2
14	LG1489	3A1290011	Spring	2	2
15	LG2193	A1290104	Rail, Main 1st	1	1
16	LG2185	A1290093	Fork, Main 1st	1	1
17	LG2198	A1290116	Rail, F-R	1	1
18	LG2196	A1290108	Adaptor, F-R	1	1
19	LG2195	A1290106	Rail, Main 2nd	1	1
20	LG3326	A1290155	Fork, F-R	1	1
21	LG2186	A1290094	Fork, Main 2nd	1	1
22	LG1382	S801010A10	O-Ring P10A (10 x 2.4)	1	1
23	LG1921	A1291145	Bolt, Rail (M12 - 1.75 x 23)	1	1
24	LG2188	A1290097	Arm, Main 2nd	1	1
25	LG1395	A10263360	Copper, Washer (M20 x 26 x 1.0)	1	1
26	LG1922	A1290103	Bolt, Arm Shaft	1	1
27	LG2199	A1290117	Adaptor, F-R	1	1
28	LG2197	A1290111	Rail, F-R 2nd	1	1
29	LG1923	S814015001	Ring, Snap (E) S (15 x 1.5)	1	1
30	N630072-S8		Washer, Plain F-RD	1	1
31	LG1862	S154102033	Bolt w/Washer	2	2



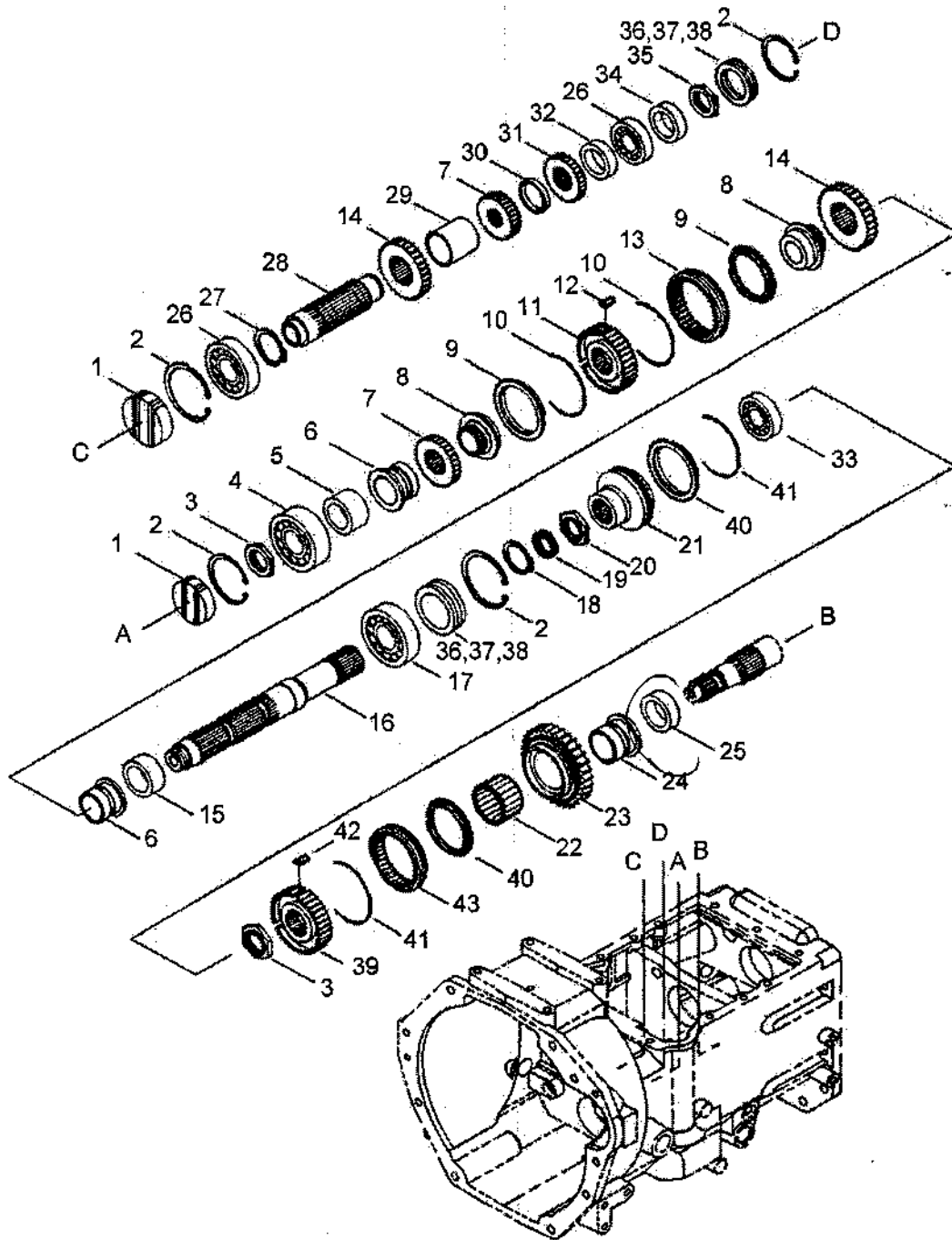
300 DTC/360 DTC

ITEM No.	LONG No.	VENDOR No.	DESCRIPTION	QTY.	
				300 DTC	360 DTC
1	LG2204	A1291144	Rail, 4WD	1	1
2	LG2200	A1291135	Fork, 4WD	1	1
3	N646663-S8		Pin, Spring (M6 x 25)	3	3
4	LG2201	A1291140	Lever, 4WD	1	1
5	LG1293	S801016010	O-Ring P16 (16 x 2.4)	3	3
6	LG2223	A1293124	Hand Lever, 4WD	1	1
7	N646664-S8		Pin, Spring (M6 x 35)	2	2
8	LG2217	A1292127	Hand Lever, Range Gear	1	1
9	LG2203	A1291143	Rail, Range Gear	1	1
10	LG2209	A1291163	Fork, Range Gear	1	1
11	LG2208	A1291149	Adaptor, Range Gear	1	1
12	LG2210	A1291164	Lever, Range Gear	1	1
13	LG1707	A20063390	Ball, Shifter Fork (M11/32)	2	2
14	LG1489	3A1290011	Spring	2	2
15	LG1382	S801010A10	O-Ring P10A (10 x 2.4)	2	2
16	LG1921	A1291145	Bolt, Rail (M12 - 1.75 x 23)	2	2
17	LG1199	A1970241	Knob, Hyd	1	1
18	LG3327	A1970299	Knob, Range Gear	1	1



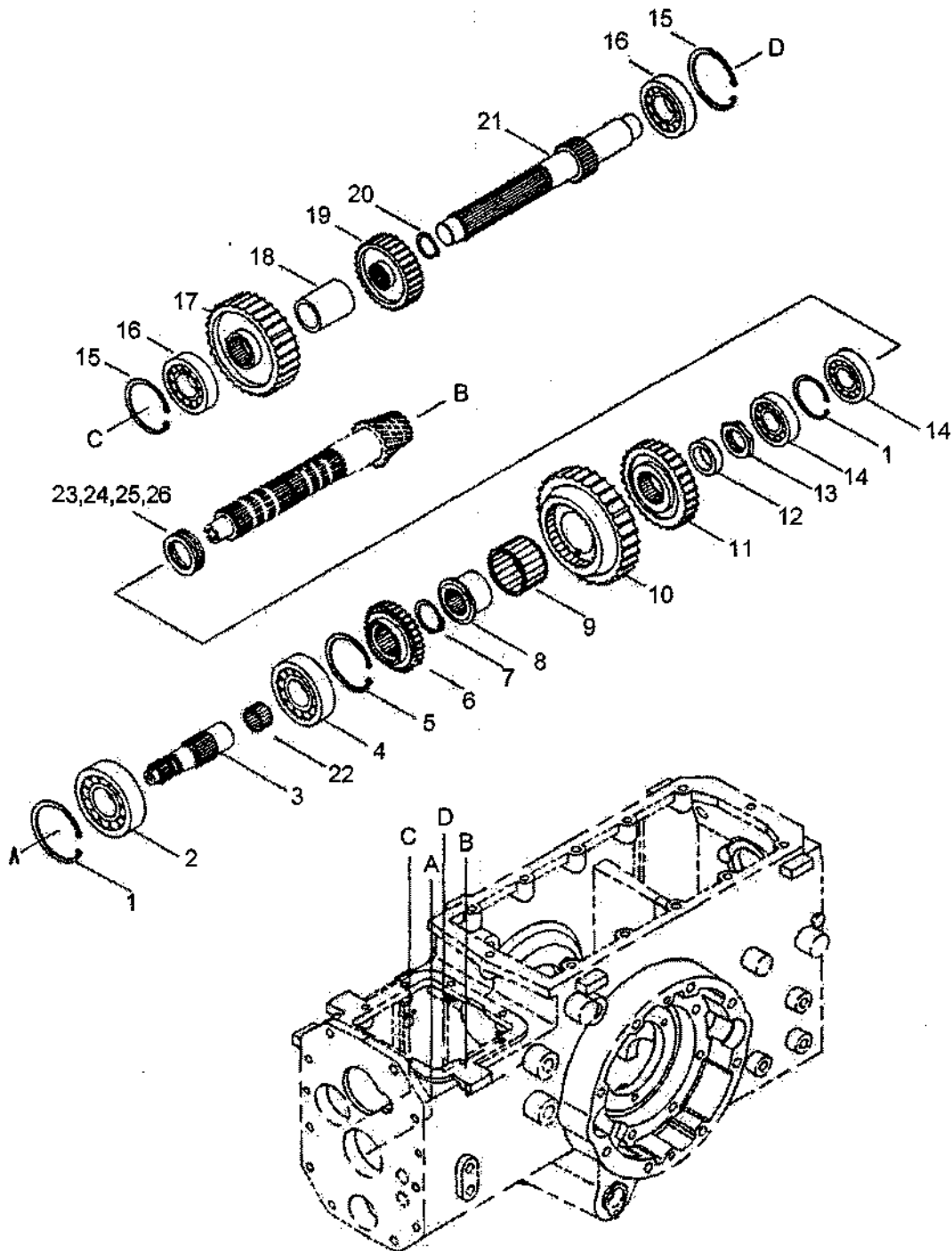
300 DTC/360 DTC

ITEM No.	LONG No.	VENDOR No.	DESCRIPTION	QTY.	
				300 DTC	360 DTC
1	LG2106	A1280101	Cover, Main Shaft	1	1
2	LG1862	S154102033	Bolt, Hex (M10 - 1.25 x 20)	3	3
3	LG2037	A0651302	Seal, Oil	1	1
4	LG1299	S804060010	O-Ring S60 (60 x 2.0)	1	1
5	LG1719	A0862060	Bearing, Ball	1	1
6	LG2129	A1281423	Spacer (M40 x 30 x 22)	1	1
7	LG2130	A1281424	Sleeve	1	1
8	LG2111	A1281165	Bearing, Needle	2	2
9	LG2128	A1281422	Gear, Main 25T	1	1
10	LG1386	A1281354	Ring, Synchro	2	2
11	LG1488	3A1281021	Spring	2	2
12	LG1189	A1281384	Hub, F-R Shift	1	1
13	LG1311	3A1281020	Piece	3	3
14	LG1455	A1281361	Sleeve	1	1
15	LG1029	S81032001	Ring, Snap (M32 x 1.2)	1	1
16	LG2147	A1281482	Gear, Main 30T	1	1
17	LG2131	A1281426	Shaft, Main	1	1
18	LG2155	A1283194	Seal, Oil	1	1
19	LG2053	A0868040	Bearing, Ball	1	1
20	LG2148	A1281485	Shaft, Reverse Drive	1	1
21	LG2054	A0869080	Bearing, Ball	2	2
22	N661231-S		Ring, Snap (M40 x 1.75)	3	3
23	N660250-S		Ring, Snap (M62 x 2)	3	3
24	LG2146	A1281481	Spacer (M48 x 40 x 10.5)	1	1
25	LG2150	A1281496	Gear, F-R Drive 39T	1	1
26	LG2154	A1283193	Shaft, Main PTO	1	1
27	LG2062	A0870481	Shim (M50 x 61 x 0.15)	1	1
28	LG2063	A0870482	Shim (M50 x 61 x 0.2)	1	1
29	LG2064	A0870485	Shim (M50 x 61 x 0.5)	1	1
30	LG1711	3A1970157	Bearing, Needle (M45 x 40 x 27)	1	1
31	N661225-S		Ring, Snap (M30 x 1.5)	1	1
32	LG3318	A0868041	Bearing, Ball	1	1
33	N660232-S		Ring, Snap	1	1
34	LG1235	A0870461	Shim (M51 x 41 x 0.15)	2	2
35	LG1236	A0870462	Shim (M51 x 41 x 0.2)	1	1



300 DTC/360 DTC

ITEM No.	LONG No.	VENDOR No.	DESCRIPTION	QTY.	
				300 DTC	360 DTC
1	LG1028	A1283016	Cap, Rubber	2	2
2	N660250-S		Ring, Snap (M62 x 2)	4	4
3	LG1785	A1281034	Nut, Lock (M25 - 1.5)	2	2
4	LG1719	A0862060	Bearing, Ball	1	1
5	LG2124	A1281324	Spacer (M45 x 33 x 30)	1	1
6	LG3319	A1281297	Sleeve	2	2
7	LG3320	A1281298	Gear, Main 25T	2	2
8	LG2118	A1281310	Sleeve, w/Synchro Mesh	2	2
9	LG1386	A1281354	Ring, Synchronizer	2	2
10	LG1488	3A1281021	Spring	2	2
11	LG1189	A1281384	Hub	1	1
12	LG1311	3A1281020	Piece	3	3
13	LG1455	A1281361	Sleeve, Shift	1	1
14	LG2115	A1281299	Gear, Main 35T	2	2
15	LG2123	A1281323	Spacer (M33 x 45 x 30)	1	1
16	LG2114	A1281273	Shaft, Main 3rd	1	1
17	LG2048	A0860070	Bearing, Ball	1	1
18	LG1029	S810032001	Ring, Snap (M32 x 1.2)	1	1
19	LG2110	A1281161	Sleeve	1	1
20	LG1912	A0610282	Nut, Lock (M42 - 1.5)	1	1
21	LG2133	A1281446	Hub, Synchro Clutch (M85 x 65)	1	1
22	LG1711	3A1970157	Bearing, Needle	1	1
23	LG2134	A1281447	Gear, F-R Driven 43T	1	1
24	LG1463	A1281046	Sleeve, Gear	1	1
25	LG2119	A1281319	Spacer (M45 x 35 x 9.5)	1	1
26	LG2054	A0869080	Bearing, Ball	2	2
27	N661237-S		Ring, Snap (M50 x 2)	1	1
28	LG2113	A1281272	Shaft, Main 2nd	1	1
29	LG2120	A1281320	Spacer (M57 x 50 x 44.5)	1	1
30	LG2121	A1281321	Spacer (M57 x 50 x 7)	1	1
31	LG2116	A1281300	Gear, Main 30T	1	1
32	LG2122	A1281322	Spacer (M52 x 40 x 11.8)	1	1
33	LG2046	A0860040	Bearing, Ball	1	1
34	LG2125	A1281346	Spacer (M48 x 40 x 11.8)	1	1
35	LG1914	A1287079	Nut, Lock (M35 - 1.5)	1	1
36	LG2062	A0870481	Shim (M50 x 61 x 0.15)	2	2
37	LG2063	A0870482	Shim (M50 x 61 x 0.2)	2	2
38	LG2064	A0870485	Shim (M50 x 61 x 0.5)	2	2
39	LG2136	A1281449	Hub	1	1
40	LG1383	A5000053	Ring	2	2
41	LG2127	A1281398	Spring	2	2
42	LG2480	A1281399	Piece	3	3
43	LG2126	A1281396	Sleeve, Shift	1	1



300 DTC/360 DTC

ITEM No.	LONG No.	VENDOR No.	DESCRIPTION	QTY.	
				300 DTC	360 DTC
1	N660257-S		Ring, Snap (M72 x 2.5)	2	2
2	LG1720	A0862070	Bearing, Ball	1	1
3	LG3322	A1285160	Shaft, Sub Drive W/Gear 14T	1	1
4	LG2049	A0860080	Bearing, Ball	1	1
5	N660255-S		Ring, Snap (M68 x 2.5)	1	1
6	LG2167	A1285149	Gear, Sub Selector 30T	1	1
7	LG1029	S810032001	Ring, Snap (M32 x 1.5)	1	1
8	LG2117	A1281303	Sleeve, F-R	1	1
9	LG1711	3A1970157	Bearing, Needle (M45 x 40 x 27)	1	1
10	LG2166	A1285141	Gear, Low Driven 45T	1	1
11	LG2181	A1288063	Gear, 4WD Drive 34T	1	1
12	LG2119	A1281319	Spacer (M45 x 35 x 9.5)	1	1
13	LG1914	A1287079	Nut, Lock (M35 - 1.5)	1	1
14	LG2227	A1326032	Bearing, Taper	2	2
15	N660250-S		Ring, Snap (M62 x 2)	2	2
16	LG1723	A0863050	Bearing, Ball	2	2
17	LG2164	A1285138	Gear, Sub Driven 46T	1	1
18	LG2169	A1285151	Spacer (M40 x 30 x 64.5)	1	1
19	LG2165	A1285139	Shaft, Sub Driven 30T	1	1
20	N661225-S		Ring, Snap (M30 x 1.5)	1	1
21	LG2168	A1285150	Shaft, Sub Drive w/Gear 14T	1	1
22	LG2471	A1970274	Bearing, Needle	1	1
23	LG2058	A0870451	Liner (M49 x 36 x 0.15)	1	1
24	LG2059	A0870452	Liner (M46 x 36 x 0.2)	1	1
25	LG2060	A0870455	Liner (M46 x 36 x 0.5)	1	1
26	LG2061	A0870458	Liner (M46 x 36 x 1.0)	1	1

Notes

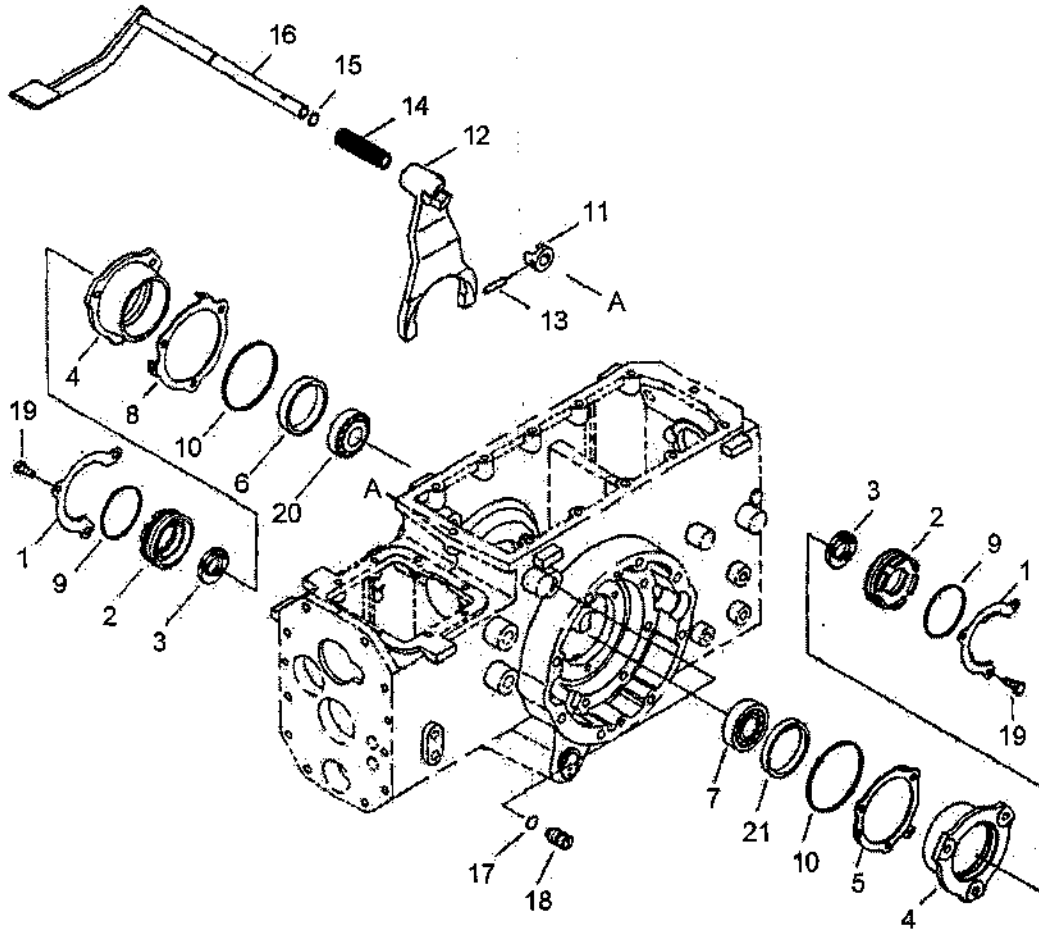
300 DTC/360 DTC

SECTION 11

REAR AXLE HOUSING AND DIFFERENTIAL

 **Long Agribusiness**

COMMON SENSE SOLUTIONS

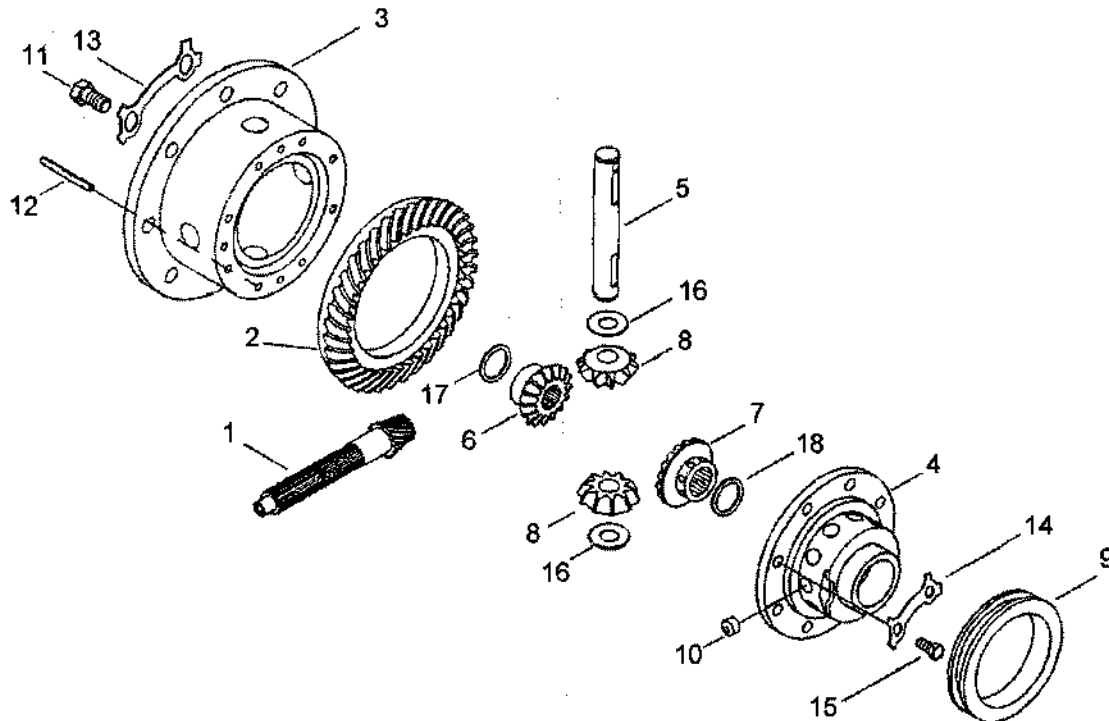


**300 DTC/360 DTC**

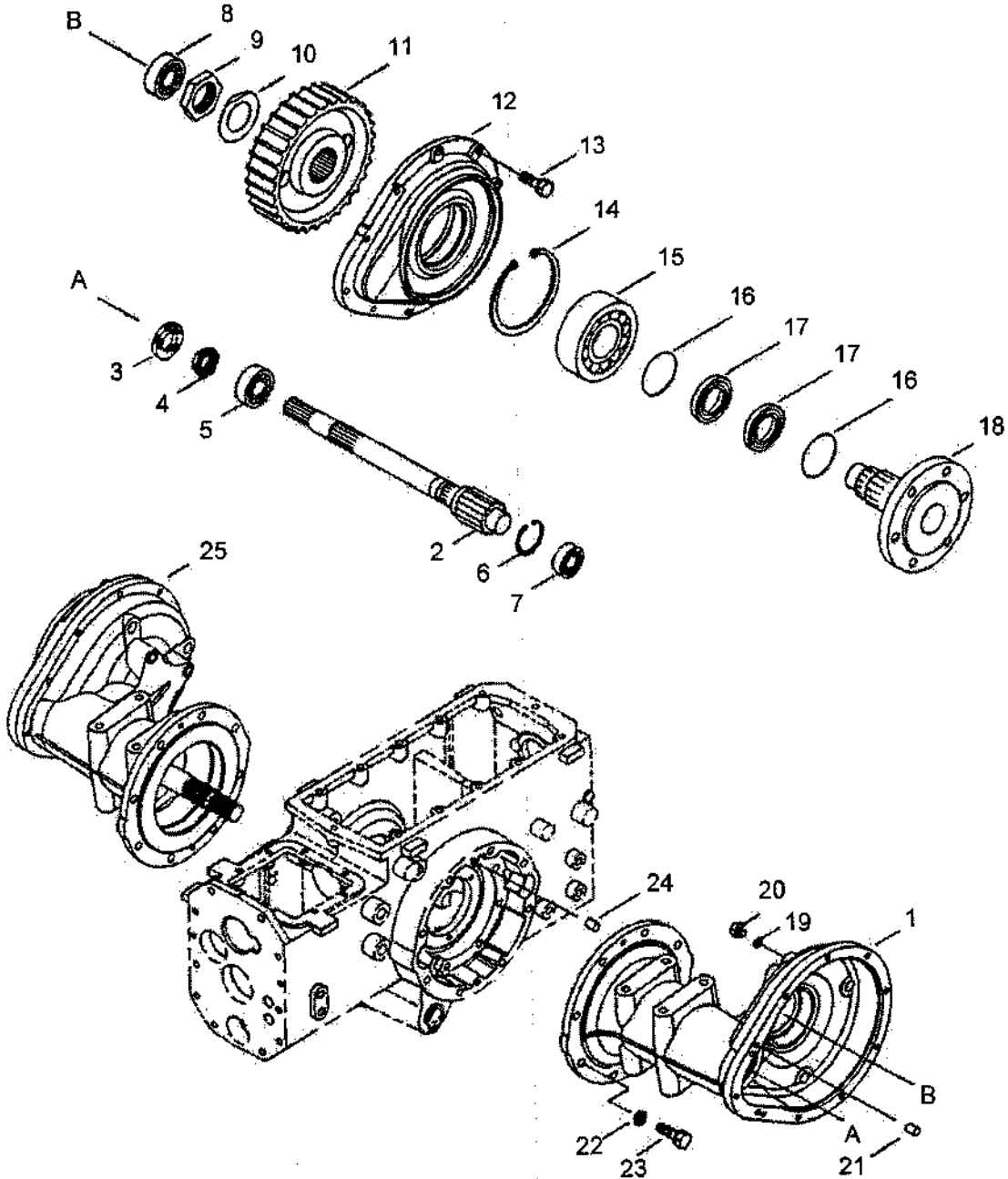
ITEM No.	LONG No.	VENDOR No.	DESCRIPTION	QTY.	
				300 DTC	360 DTC
1	LG2231	A1326050	Plate, Lock	2	2
2	LG1772	3A1326005	Grand Nut (M85 - 1.5)	2	2
3	LG1268	A0653004	Seal, Oil	2	2
4	LG2229	A1326048	Support, Differential	2	2
5	LG2299	A1650074	Holder, Spring (LH)	1	1
6	LG2232	A1326051	Spacer (M89.1 x 77 x 141)	1	1
7	LG1722	A0862100	Bearing, Ball	1	1
8	LG2300	A1650075	Holder, Spring (RH)	1	1
9	LG1281	S802080010	O-Ring(G)	2	2
10	LG1283	S802110010	O-Ring(G)	2	2
11-12	LG2005	3A1326013	Fork Assy	1	1
11	LG1684	3A1326015	Adaptor	1	1
12	LG1101	2A1326014	Fork, Differential	1	1
13	N646684-S8		Pin, Spring	1	1
14	LG1493	A1326047	Spring	1	1
15	LG1293	S801016010	O-Ring(G)	1	1
16	LG2230	A1326049	Pedal, Differential	1	1
17	LG1294	S801021010	O-Ring(G)	1	1
18	LG1689	A1326046	Screw, Adjust (M22 - 1.5)	1	1
19	500198		Bolt, Hex (M10 - 1.25 x 25)	6	6
20	LG1736	A26799980	Bearing, Taper Roller	1	1
21	LG2233	A1326052	Spacer	1	1

300 DTC/360 DTC

ITEM No.	LONG No.	VENDER No.	DESCRIPTION	QTY.	
				300 DTC	360 DTC
1-18	LG2225	A1324088	Differential Assy.	1	1
1	LG2226	A1324089	Gear, Pinion 6T	1	1
2	LG2224	A1324022	Gear, Crown Ring 37T	1	1
3	LG3328	A1324091	Case, Diff. (1)	1	1
4	LG3329	A1324074	Case, Diff (2)	1	1
5	LG3330	A1324075	Shaft (1)	1	1
6	LG3331	A1324061	Gear, Diff Side (LH)	1	1
7	LG3332	A1324062	Gear, Diff Side (RH)	1	1
8	LG3333	A1324060	Gear, Pinion Mate	2	2
9	LG3334	3A1324007	Hub, Diff-Lock	1	1
10	LG3335	3A1324014	Roller (12 x 1.5)	10	10
11	LG1924	A1324090	Bolt, Hex (M12 - 1.25 x 23)	8	8
12	N646661-S8		Pin, Spring	1	1
13	LG3336	3A1324012	Plate, Locking	4	4
14	LG1925	A1324079	Washer, Lock (2)	4	4
15	LG1926	S105082043	Bolt, Hex (M8 - 1.25 x 20)	8	8
16	LG1927	3A1970123	Washer, Thrust (M42.07 x 19.45 x 0.8)	2	2
17	LG1928	3A1970122	Washer, Thrust (M71.44 x 41.47 x 0.8)	1	1
18	LG1929	3A1324003	Washer, Thrust (LH) (M74 x 55 x 0.8)	1	1



FINAL DRIVE HOUSING



**300 DTC/360 DTC**

ITEM No.	LONG No.	VENDOR No.	DESCRIPTION	QTY.	
				300 DTC	360 DTC
1	LG2263	A1480070	Case, Final Drive (LH)	1	1
-	LG2264	A1480071	Case, Final Drive (RH)	1	1
2	LG2265	A1481037	Pinion, Final Drive	2	2
3	LG2257	A1480050	Seal, Oil	2	2
4	LG1938	A1481040	Nut, Lock (M40 - 1.0)	2	2
5	LG1726	A0863080	Bearing, Ball	2	2
6	N660264-S		Ring, Snap	2	2
7	LG2050	A0863070	Bearing, Ball	2	2
8	LG2051	A0863090	Bearing, Ball	2	2
9	LG1940	A1481041	Nut, Lock	2	2
10	LG2268	A1481042	Plate, Lock	2	2
11	LG2266	A1481038	Gear, F/Drive 71T	2	2
12	LG2260	A1480067	Cover, F/Drive	2	2
13	LG1941	S154104033	Bolt, Hex (M10 - 1.25 x 40)	20	20
14	LG1942	S811140001	Ring, Snap	2	2
15	LG2052	A0863130	Bearing, Ball	2	2
16	LG2259	A1480058	O-Ring	4	4
17	LG2258	A1480057	Retainer	4	4
18	LG2267	A1481039	Shaft, Rear Axle	2	2
19	LG1395	A10263360	Seal, Oil	6	6
20	LG1781	A0610281	Plug, Drain (M20 - 1.5)	6	6
21	LG1943	S421102010	Pin, Dowel	4	4
22	N630187-S8		Washer, Spring	16	16
23	LG4087	A1896473	Bolt, Hex (M14 - 2.0 x 40)	16	16
24	LG1325	S423102010	Pin, Dowel	4	4
25	LG2262	A1480069	F/Drive Assy (RH)	1	1
-	LG2261	A1480068	F/Drive Assy (LH)	1	1

Notes

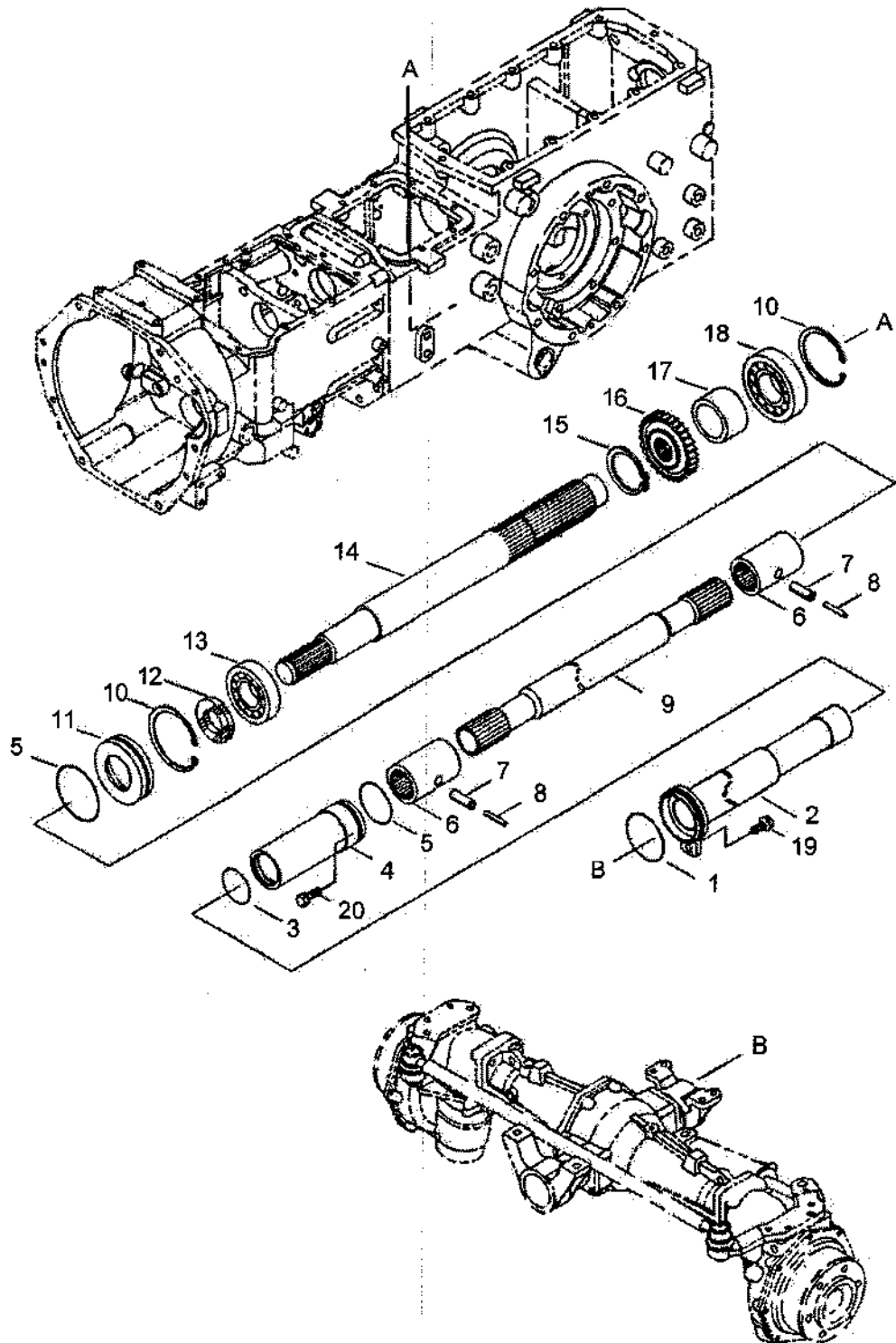
280 DTC/300 DTC/360 DTC

SECTION 13

FRONT AXLES

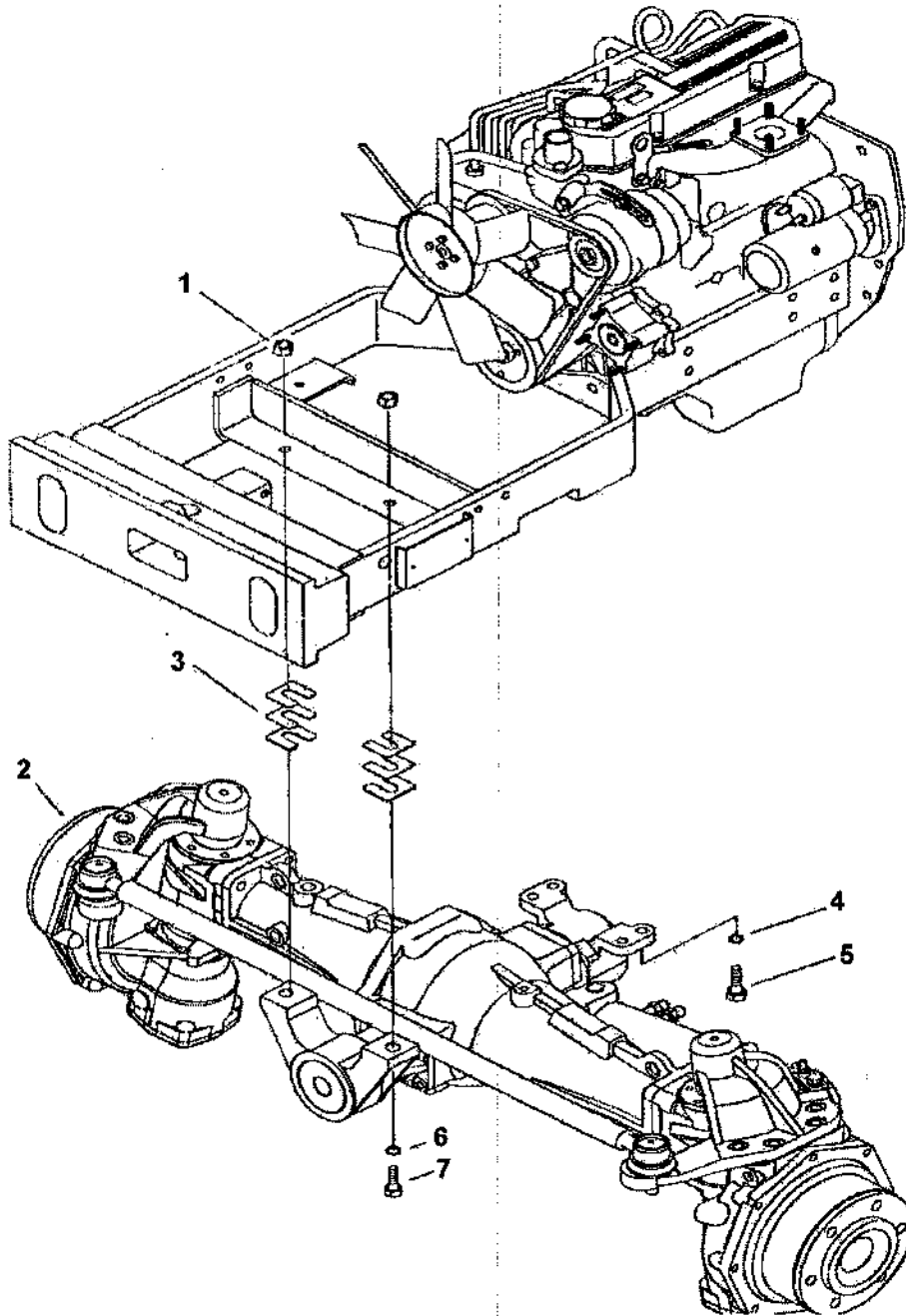
 **Long Agribusiness**

COMMON SENSE SOLUTIONS



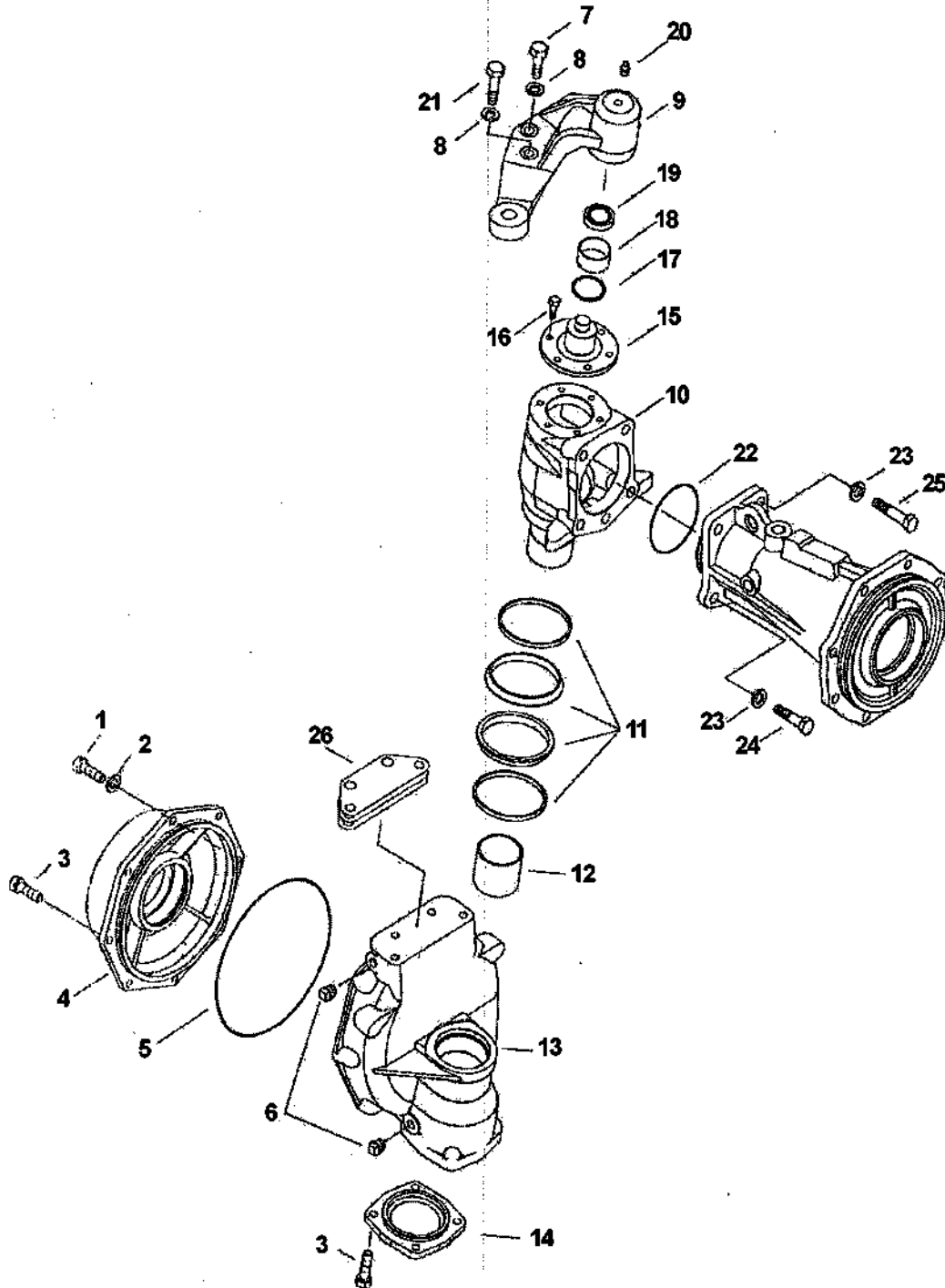
300 DTC/360 DTC

ITEM No.	LONG No.	VENDOR No.	DESCRIPTION	QTY.	
				300 DTC	360 DTC
1	LG1084	S802060010	O-Ring	1	1
2	LG2236	A1380017	Cover, 4WD	1	1
3	LG1278	S802040010	O-Ring	1	1
4	LG2235	A1380016	Cover, 4WD	1	1
5	LG1295	S801046010	O-Ring	2	2
6	LG1198	A1288028	Joint, 4WD	2	2
7	LG1920	S446053210	Pin, Spring (M5 x 32)	2	2
8	500359		Pin, Spring (M3 x 32)	2	2
9	LG2180	A1288062	Shaft, 4WD Front	1	1
10	N660245-S		Ring, Snap (M52 x 2)	2	2
11	LG2178	A1288043	Housing, Seal	1	1
12	LG1400	A0651253	Seal, Oil	1	1
13	LG1717	A0862050	Bearing, Ball	1	1
14	LG2179	A1288061	Shaft, 4WD	1	1
15	N661225-S		Ring, Snap (M30 x 1.5)	1	1
16	LG2182	A1288064	Gear, 43T	1	1
17	LG2183	A1288065	Spacer	1	1
18	LG3325	A0862052	Bearing, Ball	1	1
19	LG1904	S153082533	Bolt, Hex (M8 - 1.25 x 25)	1	1
20	LG1862	S154102033	Bolt, Hex (M10 - 1.25 x 20)	1	1



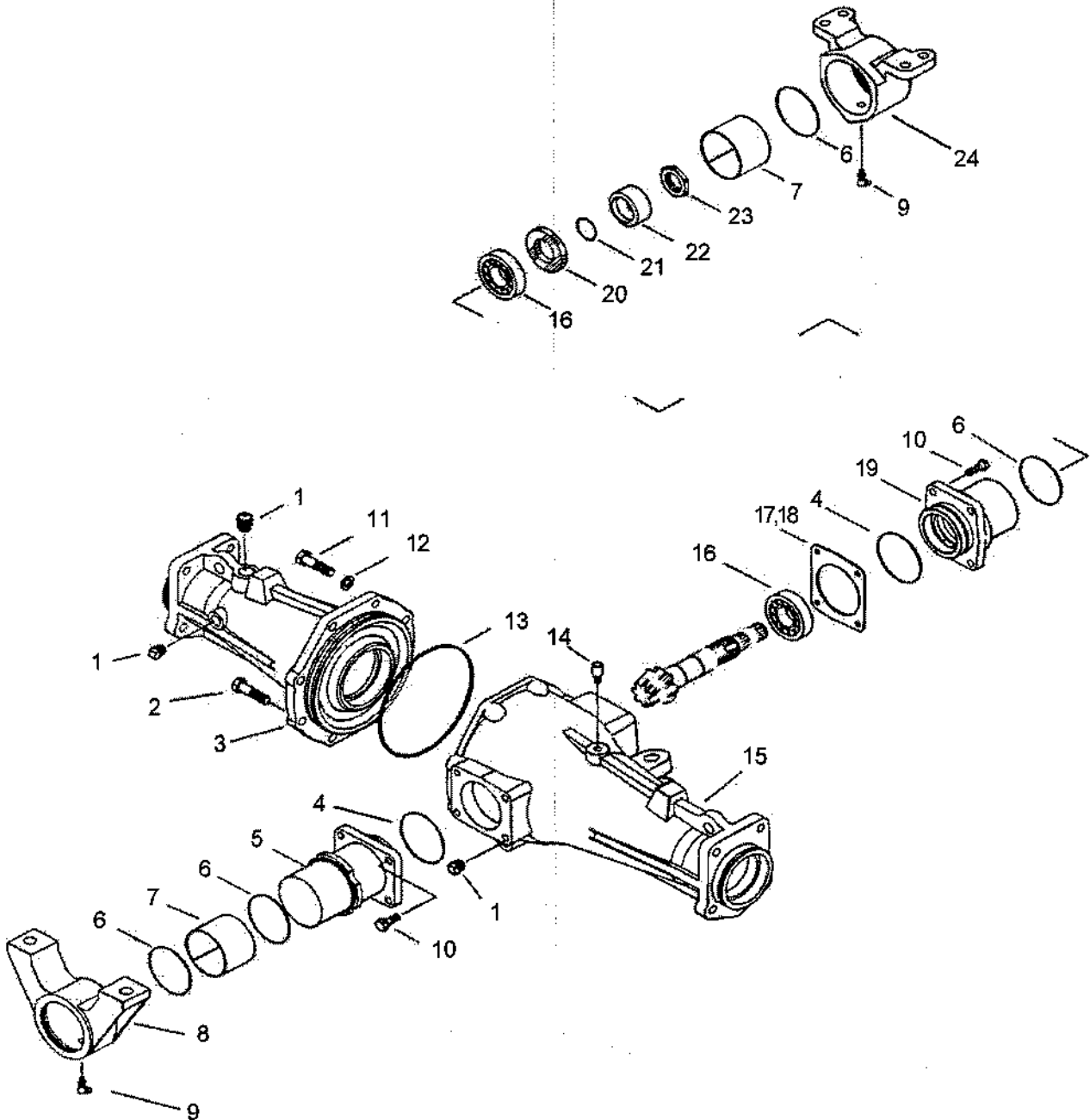
300 DTC/360 DTC

ITEM No.	LONG No.	VENDOR No.	DESCRIPTION	QTY.	
				300 DTC	360 DTC
1	LG1930	A1400129	Nut, Lock (M16x15)	2	2
2	LG4932	A1499165	Front Axle Assembly	1	1
3	LG2250	A1400130	Liner, Front Axle (0.4)	AR	AR
-	LG2251	A1400131	Liner, Front Axle (1.2)	AR	AR
-	LG2252	A1400132	Liner, Front Axle (2.3)	AR	AR
4	N630176S8	S361160013	Washer, Spring (28x16.2x4)	2	2
5	LG1931	S103164543	Bolt, Hex (M16x15x45)	2	2
6	N630175S8	S361120013	Washer, Spring (21.5x12.2)	4	4
7	LG1932	S107123543	Bolt, Hex (M12x1.25x35)	4	4



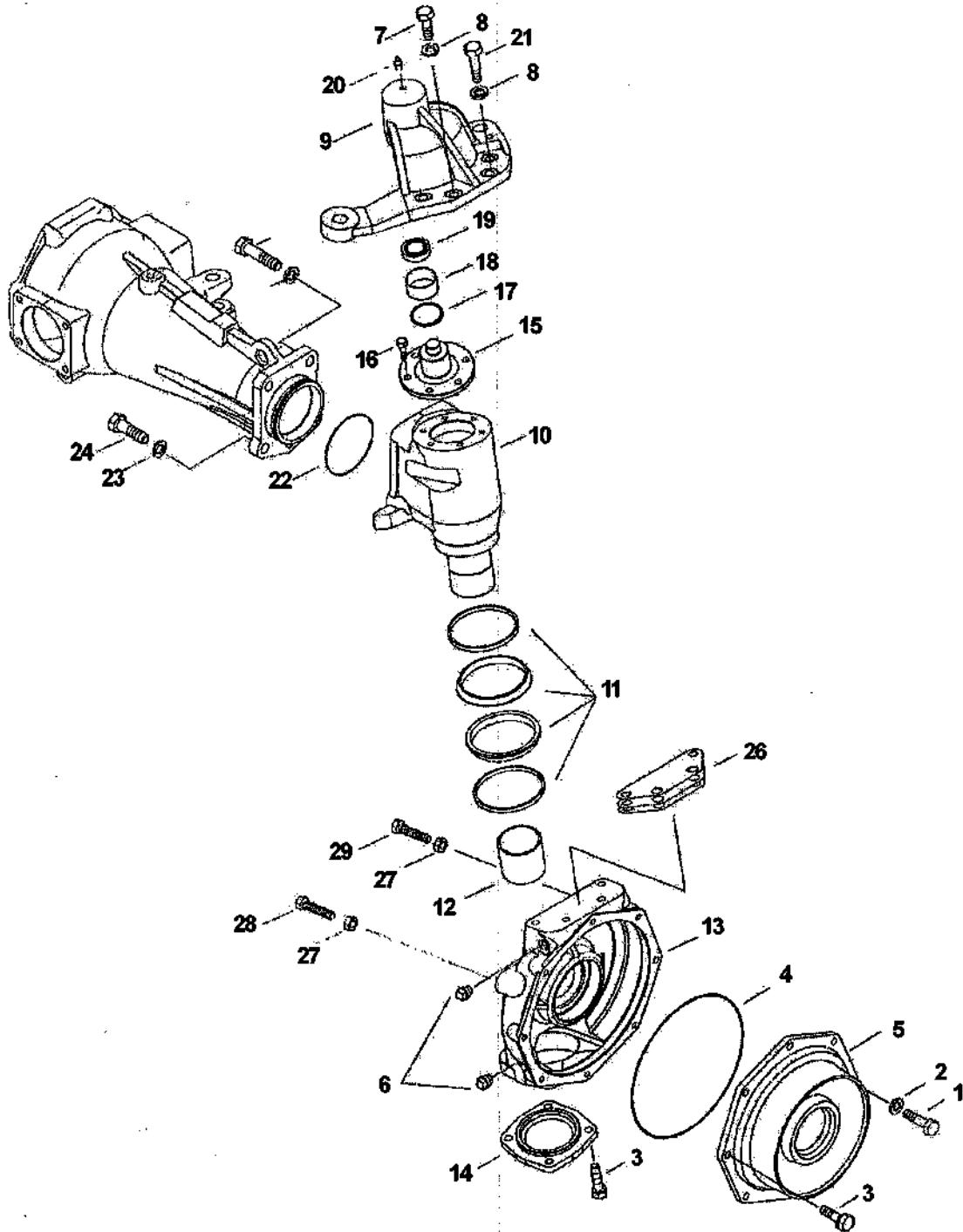
**300 DTC/360 DTC**

ITEM No.	LONG No.	VENDOR No.	DESCRIPTION	QTY.	
				300 DTC	360 DTC
1	LG1935	3A1970055	Bolt, Reamer (M10x1.25)	1	1
2	N630174S8	S361100013	Washer, Spring (18.4x10.2x2.5)	1	1
3	LG1864	S154103033	Bolt, Hex (M10x1.25x30)	11	11
4	LG1056	A1402067	Cover Gear Case	1	1
5	LG2023	3A1970056	O-Ring (231.x3)	1	1
6	LG1775	3A1970052	Plug, Taper(PT3/8)	2	2
7	500283	S101123043	Bolt, Hex (M12x1.75x30)	2	2
8	N630175-S8	S361120013	Washer, Spring (21.5x12.2x3)	4	4
9	LG4915	A1400289	Arm (RH)	1	1
10	LG4916	A1400293	Case, Kingpin	1	1
11	LG3348	A1400168	Group Seal	1	1
12	LG1012	A1400077	Bushing (MB6030DU)	1	1
13	LG4917	A1400292	Case, Gear (RH)	1	1
14	LG4918	A1400288	Cover, With Bearing Case	1	1
15	LG4919	A1400286	Holder, Arm	1	1
16	LG1904	S153082533	Bolt, Hex With Washer(M8x1.25x25)	6	6
17	LG1397	A0652582	Seal, Dust (40x48x6.5)	1	1
18	LG4920	A0678120	Bushing (MB4020DU)	1	1
19	LG1740	A1400076	Bearing, T/Roller (32004XJ)	1	1
20	LG4138	A0730048	Nipple, Grease (PT 1/8)	1	1
21	LG3673	3A1970057	Bolt, Reamer (M12x1.75x35)	2	2
22	LG3346	S802090010	O-Ring (89.4x3.1)	1	1
23	N630187S8	S361140013	Washer, Spring (24.5x14.2x3.5)	5	5
24	LG1937	S101144043	Bolt, Hex (M14x2x40)	4	4
25	LG4343	A1970307	Bolt, Reamer (M14x2.50)	1	1
26	LG1448	A1402048	Shim (0.15)	1	1
-	LG1444	A1402049	Shim (0.30)	1	1
-	LG1449	A1402050	Shim (0.40)	1	1



300 DTC/360 DTC

ITEM No.	LONG No.	VENDOR No.	DESCRIPTION	QTY.	
				300 DTC	360 DTC
1	LG1775	3A1970052	Plug, Taper	3	3
2	LG1933	S153123533	Bolt, Hex w/Washer (M12 - 1.75 x 35)	7	7
3	LG3338	A1400163	Center (R), Axle	1	1
4	LG1280	S802075010	O-Ring	2	2
5	LG1174	A1400100	Holder, F/Pivot	1	1
6	LG1281	S802080010	O-Ring (79.4 x 3.1)	4	4
7	LG1011	3A1970006	Bushing	2	2
8	LG2243	A1400118	Bracket, Front	1	1
9	LG1267	A0730047	Nipple, Grease	2	2
10	LG1864	S154103033	Bolt, Hex w/Washer (M10 - 1.25 x 30)	8	8
11	LG1934	3A1970050	Bolt, Reamer (M12 - 1.75)	1	1
12	N630175-S8		Washer, Spring	1	1
13	LG1284	S802175010	O-Ring	1	1
14	LG1001	3A140004	Breather, Air	1	1
15	LG3339	A1400164	Center (L), Axle	1	1
16	LG1737	A1400093	Bearing, Taper	2	2
17	LG2025	3A1970100	Shim 0.07	AR	AR
18	LG2026	3A1970101	Shim 0.2	AR	AR
19	LG2006	3A1400010	Case, Bearing	1	1
20	LG1398	3A1970012	Seal, Oil	1	1
21	LG1277	S801030010	O-Ring	1	1
22	LG1016	3A1411004	Bushing, Seal	1	1
23	LG1776	3A1970065	Nut, Lock (M30 - 1.5)	1	1
24	LG2244	A1400119	Bracket, Rear	1	1

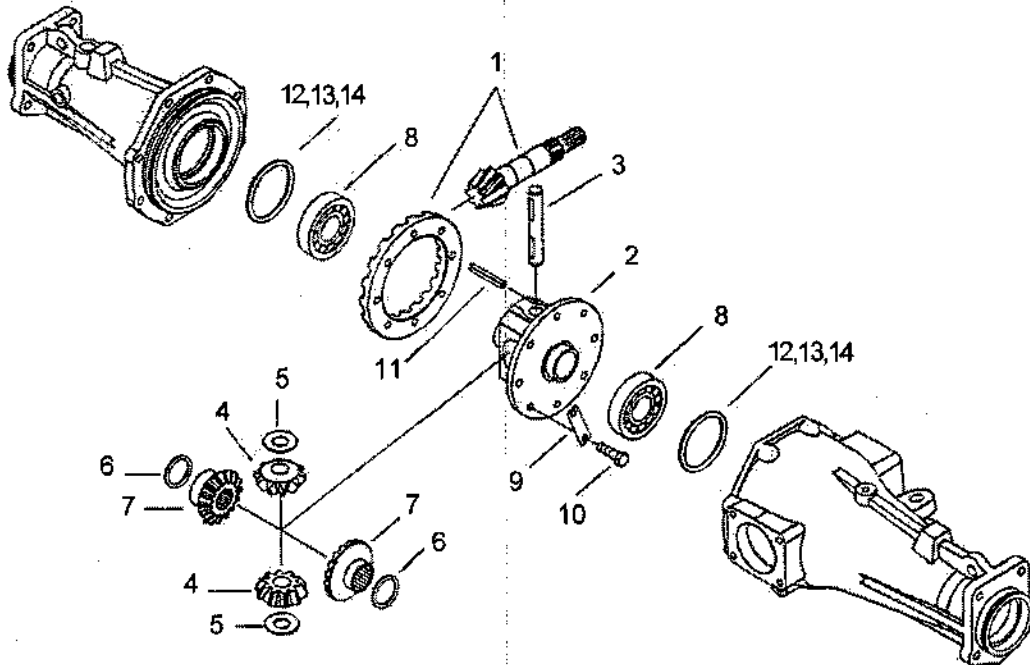


300 DTC/360 DTC

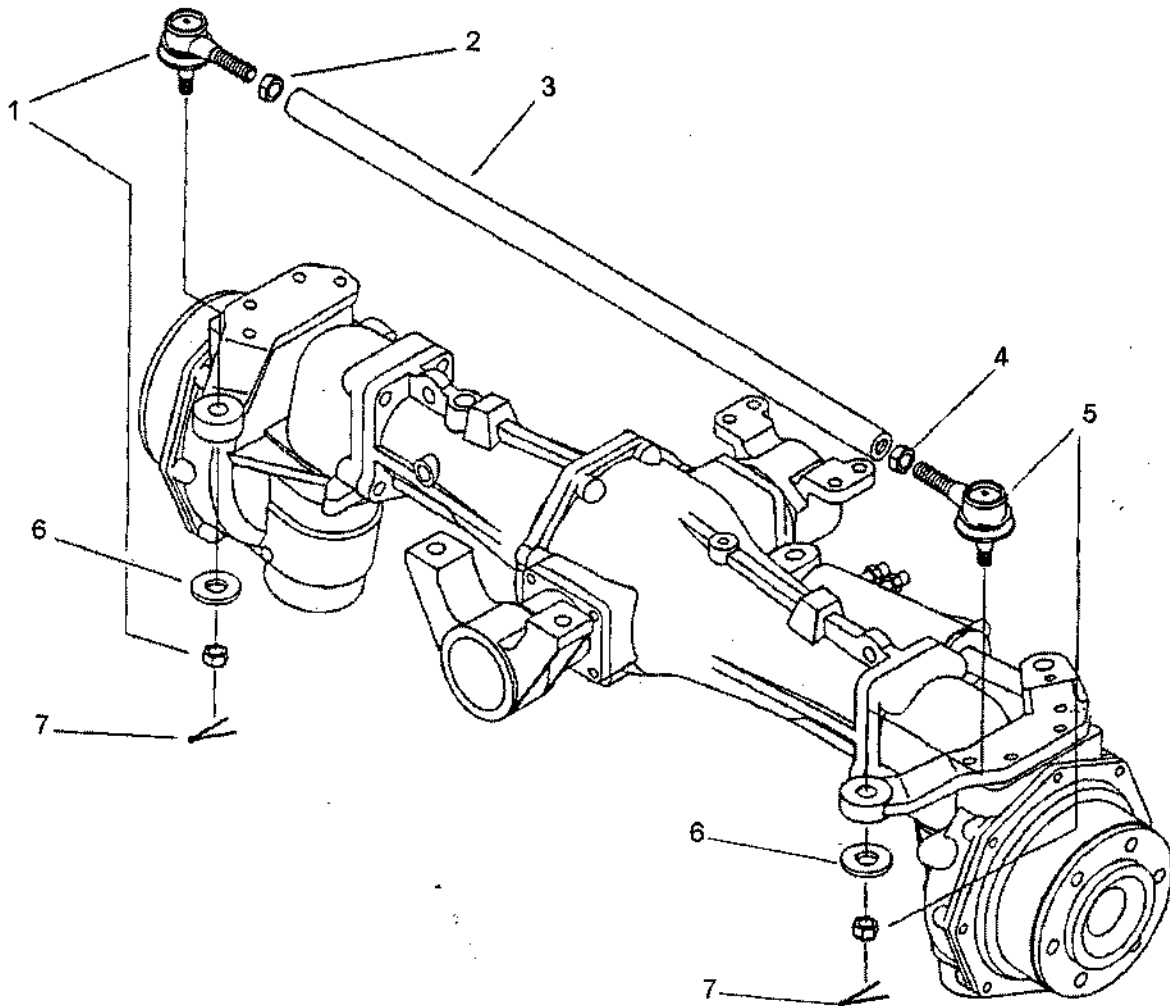
ITEM No.	LONG No.	VENDOR No.	DESCRIPTION	QTY.	
				300 DTC	360 DTC
1	LG1935	3A1970055	Bolt, Reamer (M10x1.25)	1	1
2	N630174S8	S361100013	Washer, Spring (18.4x10.2x2.5)	1	1
3	LG1864	S154103033	Bolt, Hex w/Washer (M10x1.25x30)	11	11
4	LG1056	A1402067	Cover, Gear Case	1	1
5	LG2023	3A1970056	O-Ring (231x3)	1	1
6	LG1775	3A1970052	Plug, Taper (PT 3/8)	2	2
7	500283	S101123043	Bolt, Hex (M12x1.75x30)	2	2
8	N630175S8	S361120013	Washer, Spring (21.5x12.2x3)	4	4
9	LG4921	A1400290	Arm	1	1
10	LG4916	A1400293	Case, Kingpin	1	1
11	LG3348	A1400168	Group Seal	1	1
12	LG1012	A1400077	Bushing (MB6030DU)	1	1
13	LG4922	A1400291	Case, Gear (LH)	1	1
14	LG4918	A1400288	Cover, w/Bearing Case	1	1
15	LG4919	A1400286	Holder, Arm	1	1
16	LG1904	S153082533	Bolt, Hex w/Washer (M8x1.25x25)	6	6
17	LG1397	A0652582	Seal, Dust (40x48x6.5)	1	1
18	LG4920	A0678120	Bushing (MB4020DU)	1	1
19	LG1740	A1400076	Bearing, T/Roller (32004XJ)	1	1
20	LG4138	A0730048	Nipple, Grease (PT 1/8)	1	1
21	LG3673	3A1970057	Bolt, Reamer (M12x1.75x35)	2	2
22	LG3346	S802090010	O-Ring (D89.4x3.1)	1	1
23	N630187S8	S361140013	Washer, Spring (25.4x14.2x3.5)	5	5
24	LG1937	S101144043	Bolt, Hex (M14x40)	4	4
25	LG4343	A1970307	Bolt, Reamer (M14x2x50)	1	1
26	LG1448	A1402048	Shim (0.15)	1	1
-	LG1444	A1402049	Shim (0.30)	1	1
-	LG1449	A1402050	Shim (0.40)	1	1
27	N620015S8	S301120043	Nut, Hex (M12x1.75)	2	2
28	N600416S8	S101125543	Bolt, Hex (M12x1.75x55)	1	1
29	500235	S163123543	Bolt, Hex F-Threaded (M12x1.75x35)	1	1

300 DTC/360 DTC

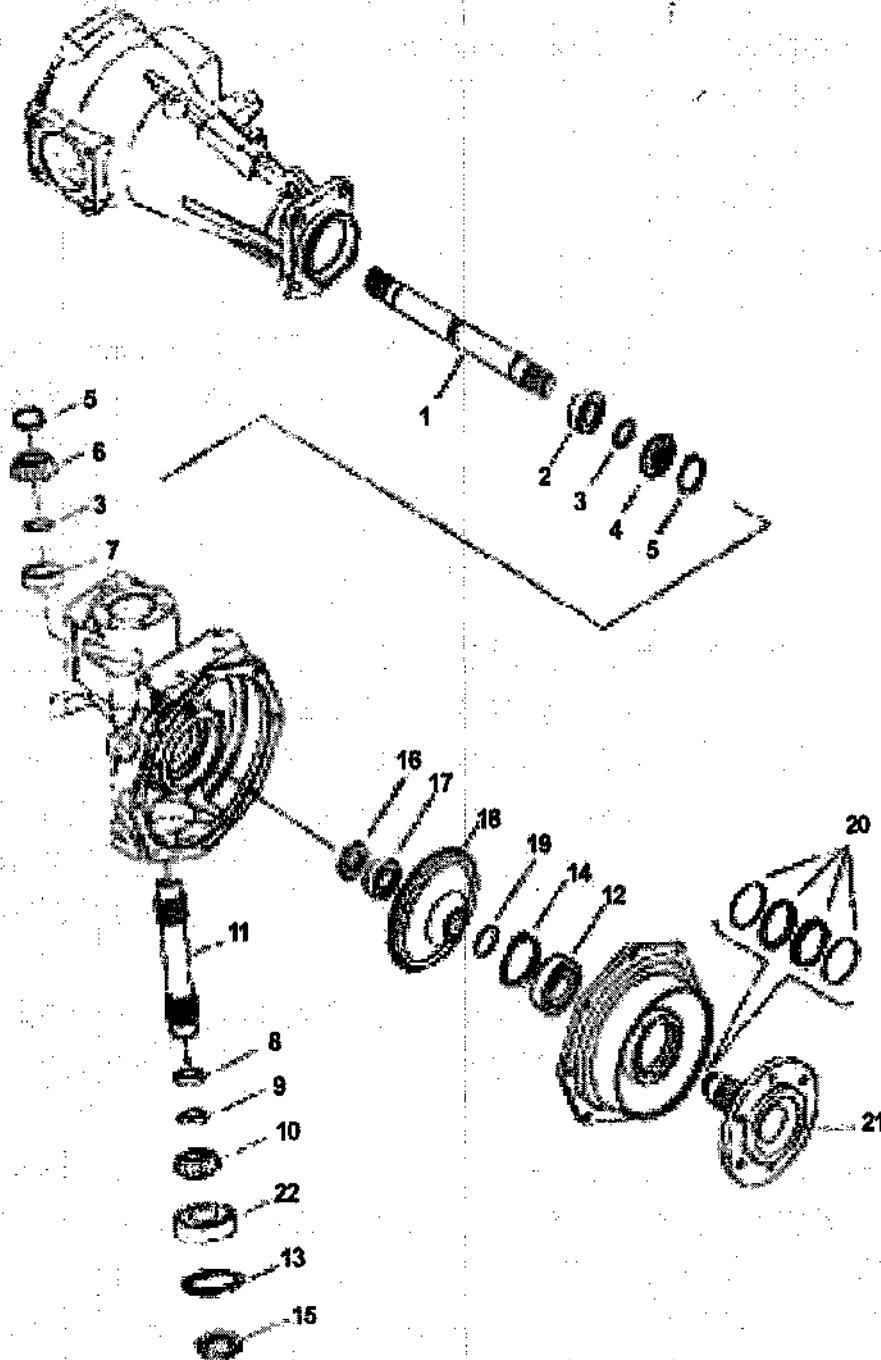
ITEM No	LONG No.	VENDOR No.	DESCRIPTION	QTY.	
				300 DTC	360 DTC
1-11	LG1086	2A1415001	Differential Gear Assy	1	1
1	LG3340	A1400172	Pinion & Ring Gear Set	1	1
2	LG2001	1A1414001	Case, Diff.	1	1
3	LG3341	3A1415004	Shaft	1	1
4	LG3333	A1324060	Pinion, Mate	2	2
5	LG1927	3A1970123	Washer, Thrust	2	2
6	LG1928	3A1970122	Washer, Thrust	2	2
7	LG3332	A1324062	Gear, Side	2	2
8	LG1714	3A1970033	Bearing, Ball	2	2
9	LG3342	3A1411003	Plate, Lock	4	4
10	LG4529	A1410039	Bolt, Hex F-Thread (M10 - 1.25 x 20)	8	8
11	N646661-S8		Pin, Spring	1	1
12	LG2027	3A1970119	Shim 0.07	AR	AR
13	LG2028	3A1970120	Shim 0.2	AR	AR
14	LG2029	3A1970121	Shim 1.0	AR	AR



ITEM No.	LONG No.	VENDOR No.	DESCRIPTION	QTY.	
				300 DTC	360 DTC
1-5	LG2274	A1610031	Tie Rod Assy	1	1
1	LG3987	A1610036	End Assy (R)	1	1
2	LG1945	S306180043	Nut, Hex (R) (M18 - 1.5)	1	1
3	LG2275	A1610034	Pipe, Tie Rod	1	1
4	LG3990	A1610016	Nut, Hex (L)	1	1
5	LG3991	A1610035	End Assy (L)	1	1
6	LG1947	A1402060	Washer, Plain	2	2
7	N642590-S8		Pin, Cotter	2	2



TIE ROD



300 DTC/360 DTC

ITEM No.	LONG No.	VENDOR No.	DESCRIPTION	QTY.	
				300 DTC	360 DTC
1	LG2245	A1400120	Shaft, Front Differential	2	2
2	LG2050	A0863070	Bearing, Ball (80x35x21)	2	2
3	LG2055	A0870108	Liner (0.15)	AR	AR
-	LG2056	A0870109	Line (0.4)	AR	AR
-	LG2057	A0870110	Liner (0.5)	AR	AR
4	LG2246	A1400121	Gear (14)	2	2
5	N661225S	S810030001	Snap, Ring	4	4
6	LG3347	A1400153	Gear (15)	2	2
7	LG1737	A1400093	Bearing, Taper	2	2
8	LG1742	3A1970034	Bearing, Thrust	2	2
9	LG2249	A1400127	Spacer	2	2
10	LG2248	A1400124	Gear (14)	2	2
11	LG2247	A1400123	Shaft, Kingpin	2	2
12	LG1714	3A1970033	Bearing, Ball	2	2
13	LG2027	3A1970119	Liner (0.07)	AR	AR
-	LG2028	3A1970120	Liner	2	2
14	N660264S	S811090001	Ring, Snap	2	2
15	LG1785	A1281034	Nut, Lock (M25x1.5)	2	2
16	LG1797	A1402047	Nut, Lock (M30x1.5)	2	2
17	LG1713	3A1970032	Bearing, Ball	2	2
18	LG1121	A1402044	Gear (38)	2	2
19	LG1227	3A1970112	Liner (0.4)	AR	AR
-	LG1228	3A1970113	Liner (0.6)	AR	AR
-	LG1229	3A1970114	Liner (0.8)	AR	AR
-	LG1230	3A1970115	Liner (1.0)	AR	AR
20	LG3348	A1400168	Group Seal	2	2
21	LG3349	A1402068	Shaft, Axle	2	2
22	LG2470	A1970268	Bearing, T/Roller	2	2

Notes

300 DTC/360 DTC

SECTION 14

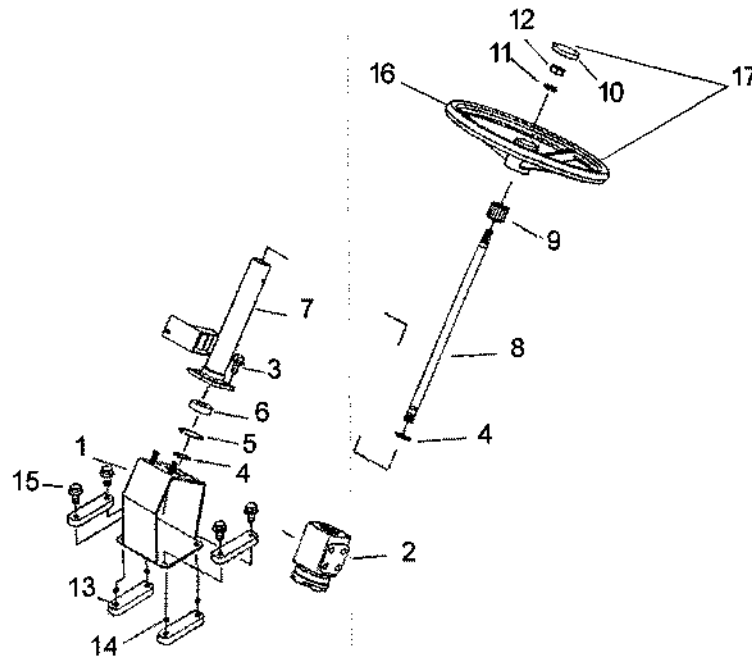
STEERING SYSTEM

 **Long Agribusiness**

COMMON SENSE SOLUTIONS

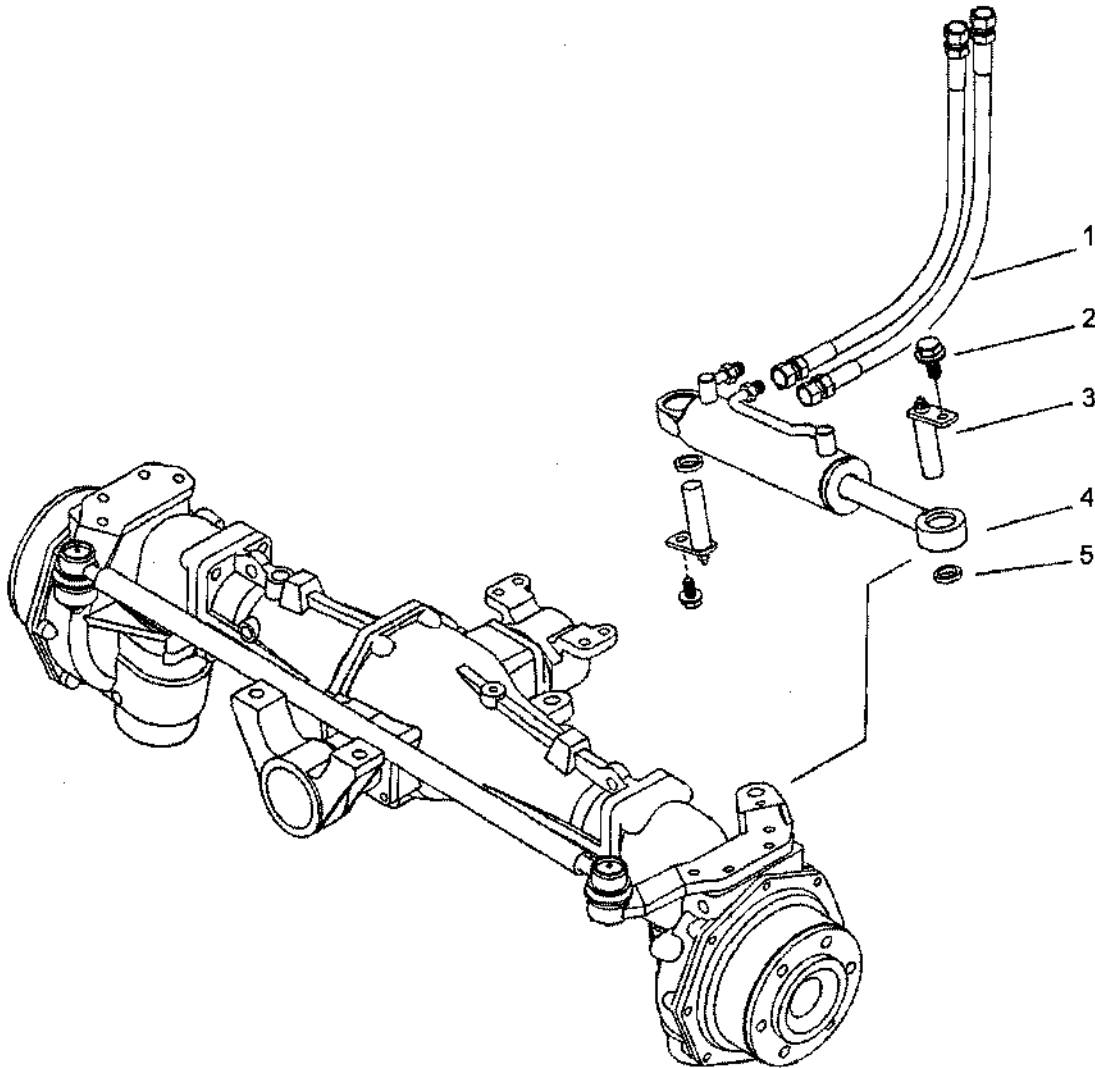
300 DTC/360 DTC

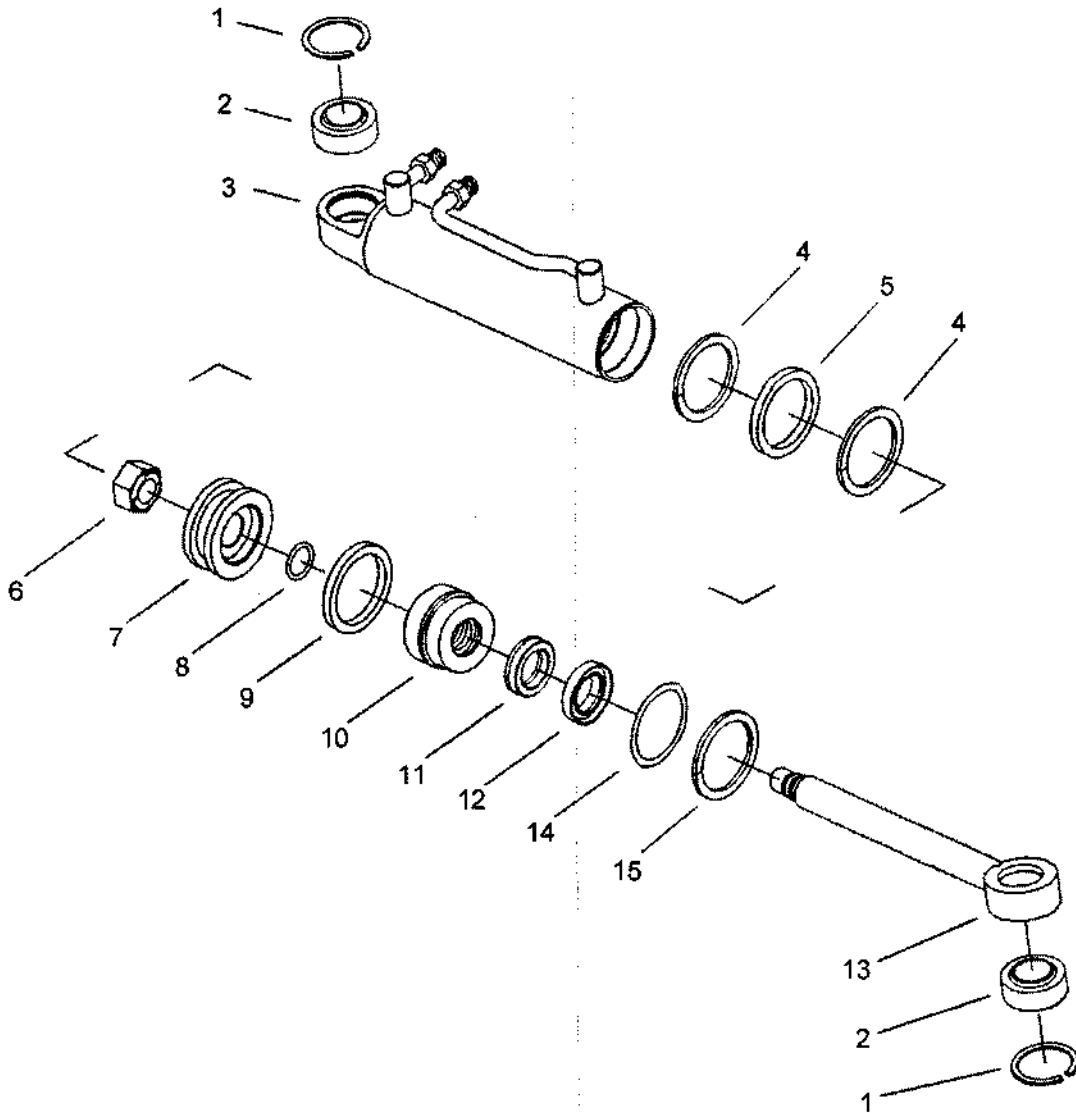
ITEM No.	LONG No.	VENDOR No.	DESCRIPTION	QTY.	
				300 DTC	360 DTC
1	LG2293	A1630283	Support, Steering	1	1
2	LG2290	A1630255	Steering Unit	1	1
3	LG1863	S154102533	Bolt, Hex (M10 - 1.25 x 25)	4	4
4-9	LG2281	A1630230	Steering Column Assy	1	1
4	N661216-S		Ring, Snap	2	2
5	LG3363	S811042001	Ring, Snap (C) H	1	1
6	LG3364	A1970233	Bearing	1	1
7	LG3365	A1630231	Column, Steering	1	1
8	LG3366	A1630232	Shaft, Steering	1	1
9	LG1405	A1630153	Seal, Steering	1	1
10	LG4076	A1630359	Cap, Steering Wheel	1	1
-	LG4161	A5000583	Cap, Padded Steering Wheel	1	1
-	LG3518	A1980437	Logo - Cap, Padded Wheel	1	1
11	N630187-S8		Washer, SPR (14.2 x 3.5)	1	1
12	500327		Nut, Hex (M14 - 1.5)	1	1
13	LG2291	A1630281	Rubber, Isolator	4	4
14	LG2292	A1630282	Collar, Steering	4	4
15	LG1950	S156103033	Bolt, Hex w/Washer(M10 - 1.25 x 30)	4	4
16	LG4075	A1630358	Steering Wheel	1	1
-	LG4160	A5001458	Steering Wheel - Padded	1	1
17	LG1505	A1630168	Steering Wheel Assy.	1	1
-	LG4162	A5002130	Padded Steering Wheel Assy.	1	1



300 DTC/360 DTC

ITEM No.	LONG No.	VENDOR No.	DESCRIPTION	QTY.	
				300 DTC	360 DTC
1	LG2287	A1630245	Hose, Steering Cylinder	2	2
2	LG1862	S154102033	Bolt, Hex (M10 - 1.25 x 20)	2	2
3	LG1314	A1630327	Pin, Cylinder	2	2
4	LG3351	A1630293	Cylinder Assy	1	1
5	LG1475	A1630135	Spacer	2	2







ITEM No.	LONG No.	VENDOR No.	DESCRIPTION	QTY.	
				300 DTC	360 DTC
1-15	LG3351	A1630293	Steering Cylinder	1	1
1	LG1948	S813035001	Ring, Snap	2	2
2	LG3352	A1630159	Bushing, Ball	2	2
3	LG3353	A1630319	Cylinder Assy	1	1
4	LG3354	A1630161	Ring, Backup	2	2
5	LG3355	A1630162	O-Ring	1	1
6	LG1949	A1630160	Nut, Lock (M16 - 2.00)	1	1
7	LG3356	A1630321	Piston	1	1
8	LG1272	S801014010	O-Ring	1	1
9	LG1295	S801046010	O-Ring	1	1
10	LG3357	A1630322	Sleeve	1	1
11	LG3358	A1630163	U-Packing	1	1
12	LG3359	A1630164	Seal, Dust	1	1
13	LG3360	A1630320	Rod, Piston	1	1
14	LG3361	A1630323	Ring, Wire	1	1
15	LG3362	A1630324	Ring, Stop	1	1

300 DTC/360 DTC

ITEM No.	LONG No.	VENDOR No.	DESCRIPTION	QTY.	
				300 DTC	360 DTC
1	N620013-S8		Nut, Hex (M8 x 1.25)	2	2
2	N630173-S8		Washer, Spring	2	2
3	LG2278	A1630221	Pump Steering	1	1
4	LG2015	3A1823010	Packing Pump	1	1
5	LG1951	S153082033	Bolt Hex (M8 x 1.25 x 20)	2	2
6	LG1952	S153063533	Bolt Hex (M6 x 1.00 x 35)	3	3
7	LG1275	S801018010	O-Ring 17.8 x 2.4	1	1
8	LG2283	A1630241	Pipe P/S Pressure	1	1
9	LG2284	A1630242	Pipe P/S RH	1	1
10	LG2285	A1630243	Pipe P/S LH	1	1
11	LG1195	A1630144	Joint	5	5
12	LG4105	A1630383	Pipe P/S Drain	1	1
13	LG3367	A1823245	Seal Bonded	1	1
14	LG4169	A1822080	Plug PF 3/8	1	1
15	LG1457	A1630169	Sleeve	1	1
16	LG1798	A1630170	Nut Hex	1	1
17	LG2289	A1630247	Clamp Pipe	1	1
18	LG2276	A1630166	Rubber Isolator	1	1
19	LG1953	S155062033	Bolt Hex (M6 x 1.00 x 20)	1	1

Notes

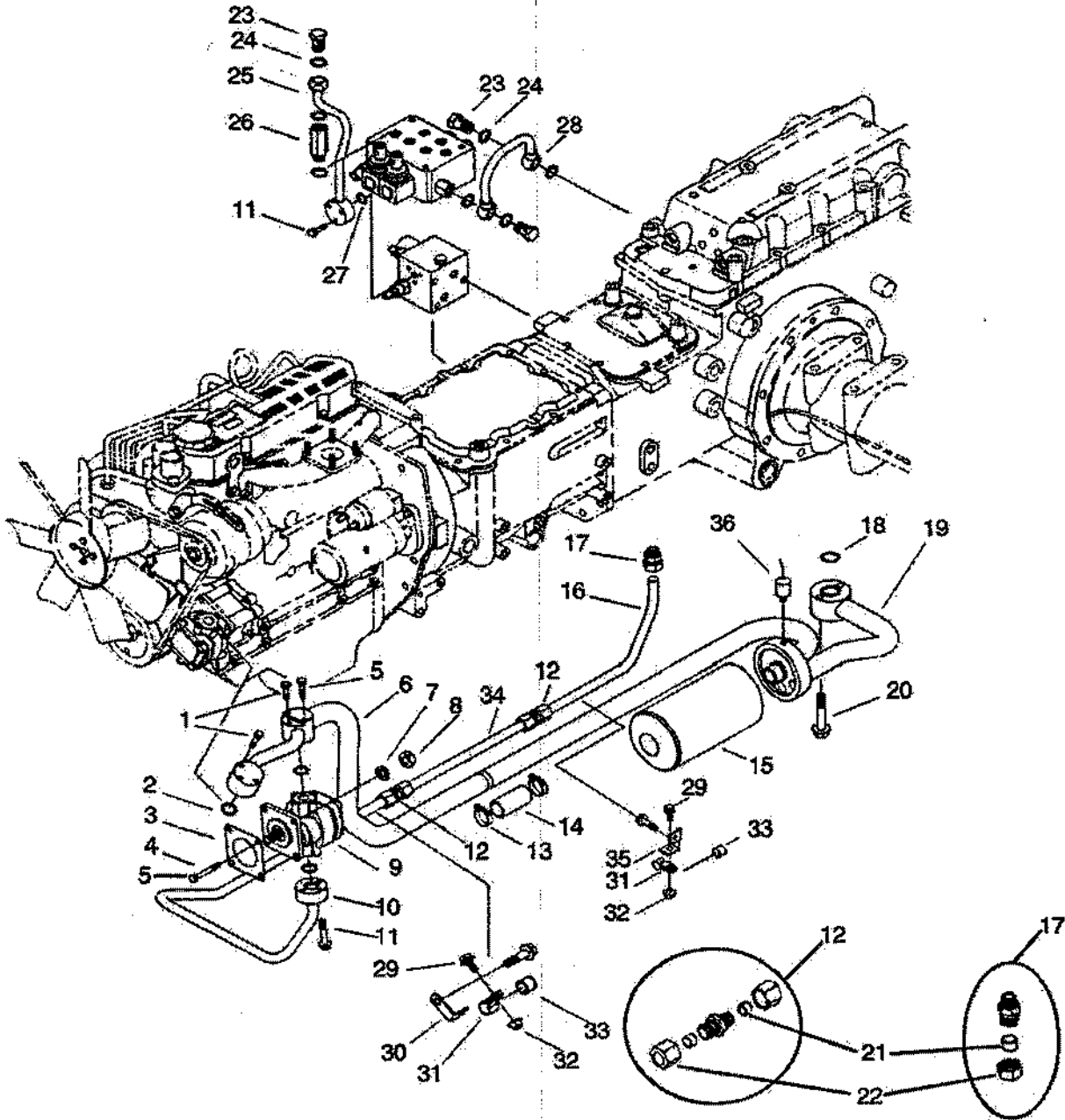
300 DTC/360 DTC

SECTION 15

HYDRAULIC SYSTEM

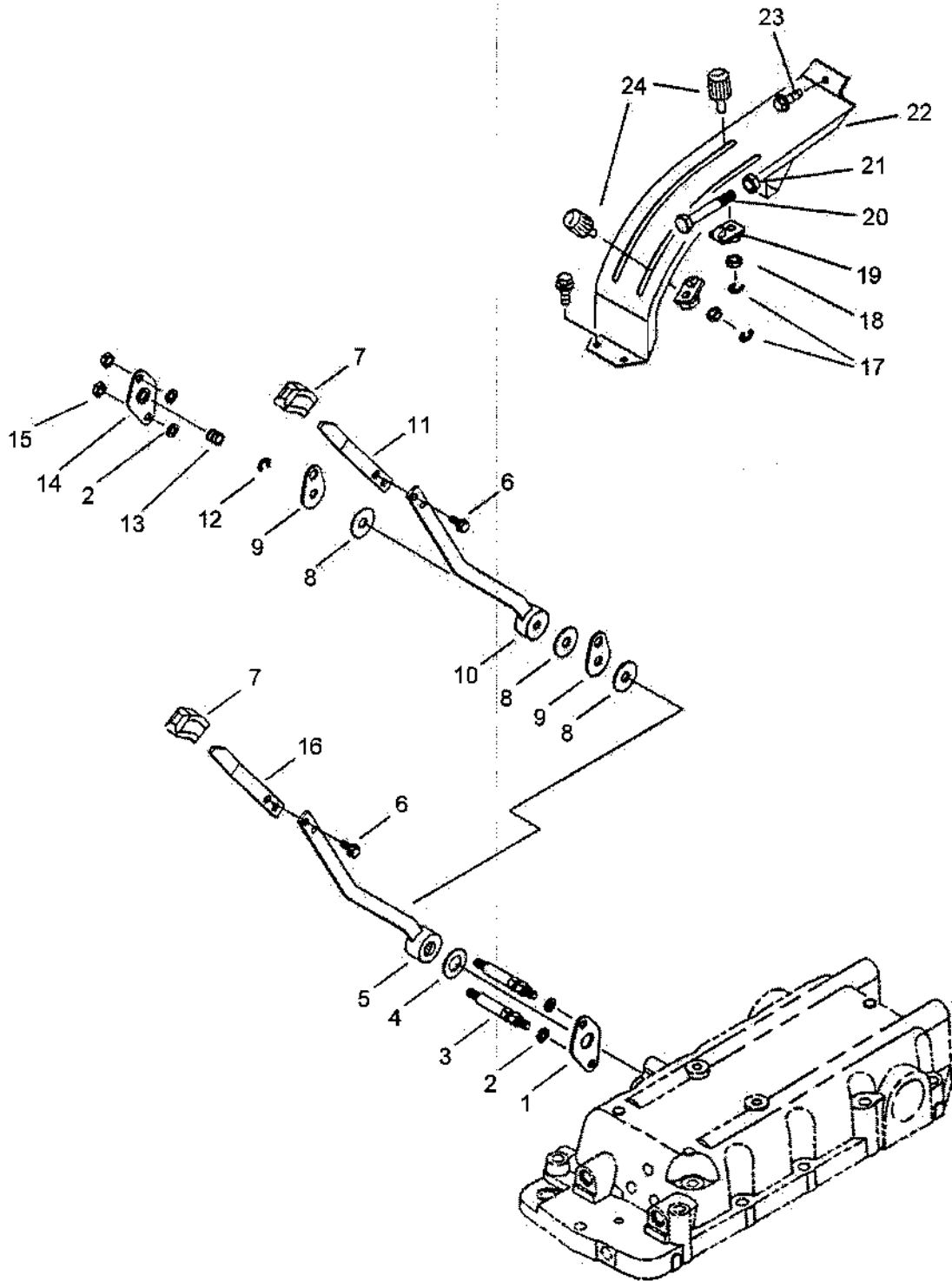
 **Long Agribusiness**

COMMON SENSE SOLUTIONS



ITEM No	LONG No.	VENDOR No.	DESCRIPTION	QTY.	
				300 DTC	360 DTC
1	LG1959	S153064533	Bolt, Hex (M6 - 1.0 x 45)	4	4
2	LG1275	S801018010	O-Ring	3	3
3	LG2015	3A1823010	Gasket, Pump	1	1
4	N630173-S8		Washer, Spring	4	4
5	N620013-S8		Nut, Hex (M8-1.25)	4	4
6	LG22485	S153065033	Bolt, Hex (M6-1.0x50)	2	2
7	LG4103	A1823285	Pipe FRT Suction	1	1
8	LG4111	A1970325	Bolt, Hex (M8-1.25x150)	2	2
9	LG4104	A1823178	Pipe, R/Pressure pump	1	1
10	LG2361	A1823178	Pipe, R/Pressure	1	1
11	LG1952	A153063533	Bolt, Hex (M6-1.0635)	3	3
12	LG2353	A1823076	Straight, Union	2	2
13	LG1046	A1970201G	Clamp, Hose	2	2
14	LG1183	1823059	Hose, Suction	1	1
15	LG1097	A1823132 LG2359	Filter, Hydraulic <u>w/Loader LG2359</u>	1	1
16	LG3515	A1823257	Pipe, Mid/Pressure	1	1
17	LG2365	A1823189	Joint	1	1
18	LG1286	S804025010	O-Ring	1	1
19	LG2359	A1823176	Pipe, R/Suction	1	1
20	LG1961	S154105533	Bolt, Hex (M10-1.25x55)	2	2
21	LG1458	A1823033	Sleeve	3	3
22	LG1801	A1823034	Nut, Hex	3	3
23	LG1708	A1630201	Bolt, Union	3	3
24	LG3367	A1823245	Seal, Bonded	7	7
25	LG2363	A1823181	Pipe, Aux Pressure	1	1
26	LG2396	A1827157	Connector	1	1
27	LG1293	S801016010	O-Ring	1	1
28	LG2364	A1823182	Pipe, R/Pressure	1	1
29	LG1962	S155082533	Bolt, Hex (M8-1.25x25)	2	2
30	LG2017	3A1823032	Bracket, Clamp	1	1
31	LG2354	A1823121	Clamp, Pipe	2	2
32	LG1963	S354080013	Nut, Flange B-TY (M8-1.25)	2	2
33	LG2016	3A1823029	Cushion, Clamp	2	2
34	LG3516	A1823256	Pipe, Mid/Connection	1	1
35	LG3956	A1823260	Bracket, Pipe Clamp	1	1
36	LG3607	A1750175	Hydraulic Sensor Assembly	1	1
37	LG4174	S153063033	Bolt, Hex (M6-1.00x30)	3	3
38	LG4175	S153064033	Bolt, Hex (M6-1.00x40)	1	1

LG 4104
 LG 4105
 LG 4106

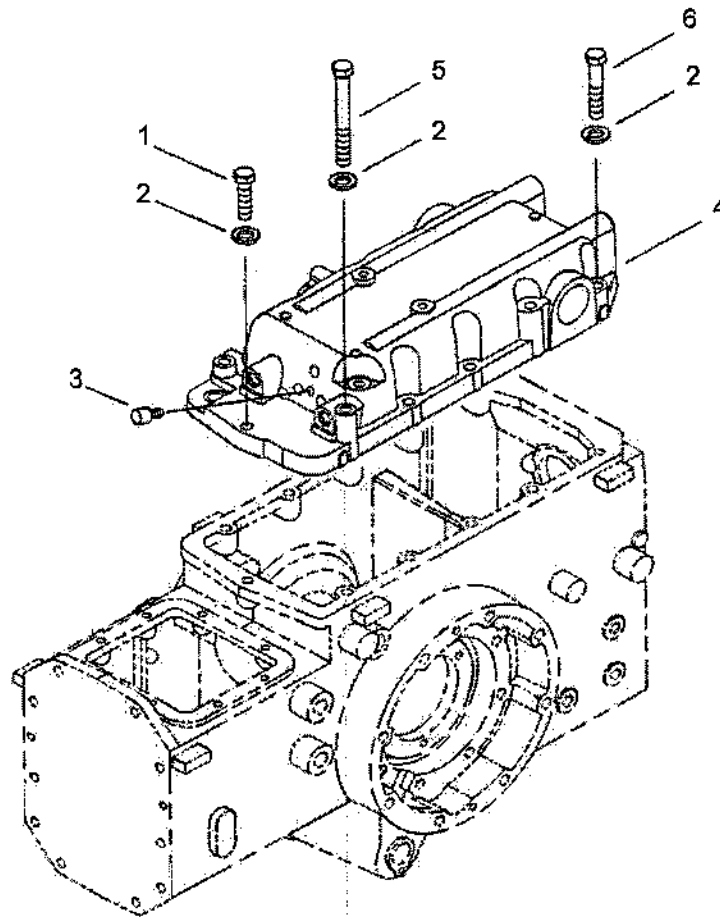


**300 DTC/360 DTC**

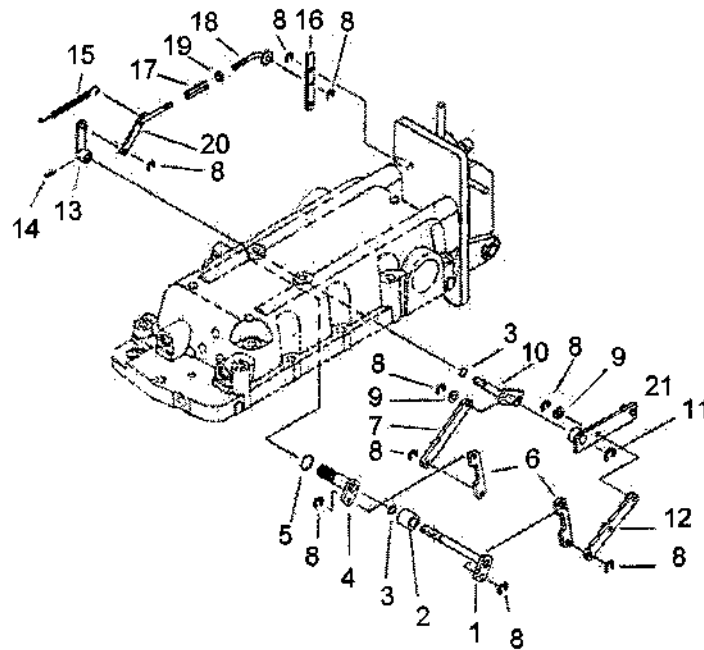
ITEM No	LONG No.	VENDOR No.	DESCRIPTION	QTY.	
				300 DTC	360 DTC
1	LG1057	A1820533	Cover	1	1
2	N630174-S8		Washer, Spring (M18.4 x 10.2 x 2.5)	4	4
3	LG4007	A1825085	Support, Lever	2	2
4	LG2371	A1825023	Plate, Friction (L)	1	1
5	LG2375	A1825059	Lever, Draft Control	1	1
6	LG1897	S155082033	Bolt, Hex (M8 - 1.25 x 20)	4	4
7	LG1199	A1970241	Grip, Handle	2	2
8	LG2372	A1825024	Plate, Friction (S)	3	3
9	LG1360	A1825053	Plate, Locking	2	2
10	LG2374	A1825058	Lever, Position	1	1
11	LG2376	A1825061	Extention, Lever	1	1
12	N661208-S		Ring, Snap	1	1
13	LG3957	A1825086	Spring	1	1
14	LG2373	A1825034	Cover	1	1
15	500307		Nut, Hex (M10 - 1.25)	2	2
16	LG3396	A1825060	Extention, Lever	1	1
17	LG1873	S814006003	Ring, Snap	4	4
18	N620013-S8		Nut, Hex	4	4
19	LG1502	A1825057	Stop, Plate	4	4
20	500347		Bolt, Hex (M8-1.25x50)	2	2
21	N620013-S8		Nut, Hex	2	2
22	LG4949	A1825159	Guide, Hydraulic Lever	1	1
23	LG1971	S159081633	Bolt, Hex	1	1
24	LG1153	A1825056	Knob	4	4

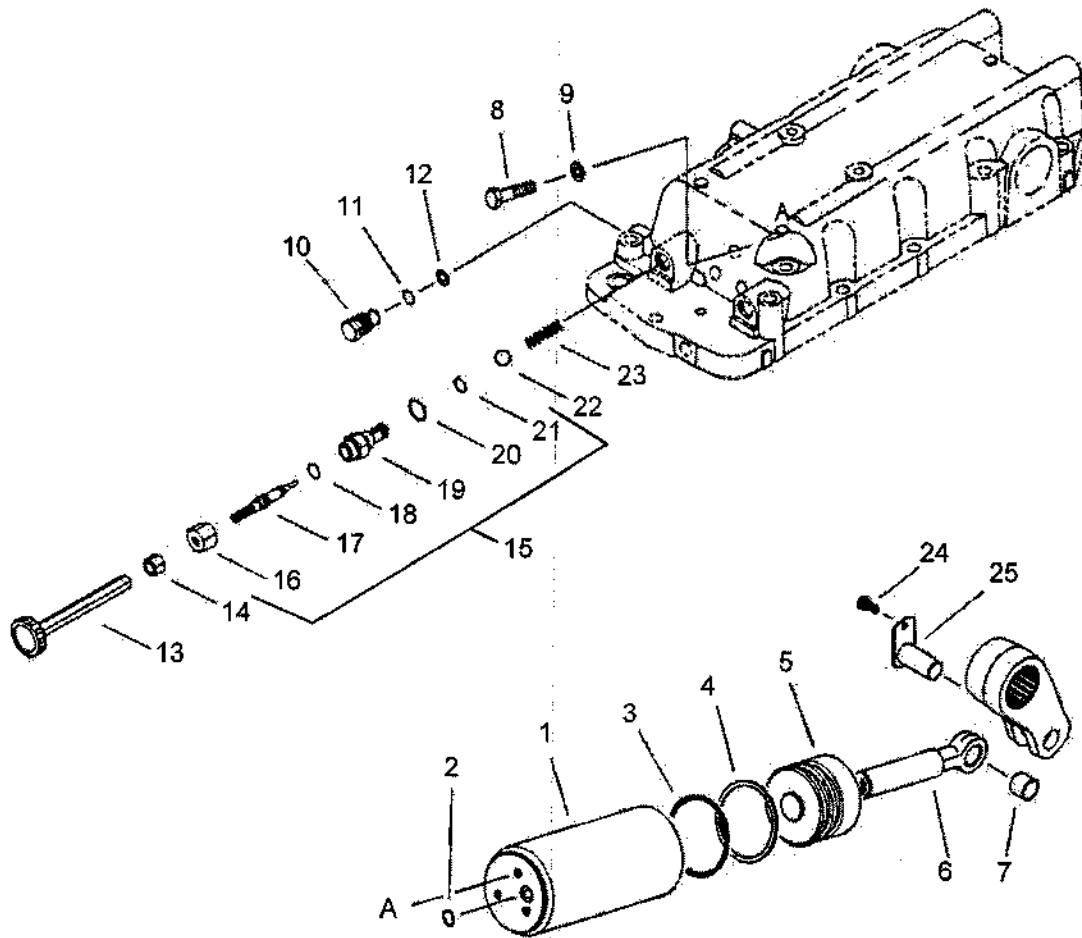
300 DTC/360 DTC

ITEM No	LONG No.	VENDOR No.	DESCRIPTION	QTY.	
				300 DTC	360 DTC
1	N600414-S8		Bolt, Hex (M12x1.75x45)	5	5
2	N630175-S8		Washer, Spring	12	12
3	LG1002	A1250049	Plug, Airvent	1	1
4	LG2350	A1820032	Housing, Hyd. Lift	1	1
5	LG1939	S105128543	Bolt, Hex (M12 - 1.75 x 85)	3	3
6	N600417-S8		Bolt, Hex (M12 - 1.75 x 60)	4	4



ITEM No	LONG No.	VENDOR No.	DESCRIPTION	QTY.	
				300 DTC	360 DTC
1	LG1433	A1824020	Shaft, Position	1	1
2	LG2370	A1824029	Spacer	1	1
3	LG1270	S801009010	O-Ring	2	2
4	LG1422	A1824021	Shaft, Draft	1	1
5	LG1293	S801016010	O-Ring	1	1
6	LG1252	3A1824003	Link (B)	2	2
7	LG2368	A1824027	Link, Draft	1	1
8	LG1873	S814006003	Ring, Snap	9	9
9	N630068-S8		Washer, Flat	2	2
10	LG1414	A1824022	Shaft	1	1
11	LG1875	S814009003	Ring, Snap	1	1
12	LG2367	A1824026	Link, Position	1	1
13	LG1691	A1824019	Arm	1	1
14	N646569-S8		Pin, Spring	1	1
15	LG3395	A1824035	Spring	1	1
16	LG1258	3A1824011	Link	1	1
17	LG1194	3A1824014	Joint	1	1
18	LG1387	3A1824010	Rod (A)	1	1
19	N620013-S8		Nut, Hex	1	1
20	LG1388	3A1824007	Rod (B)	1	1
21	LG2369	A1824028	Link	1	1



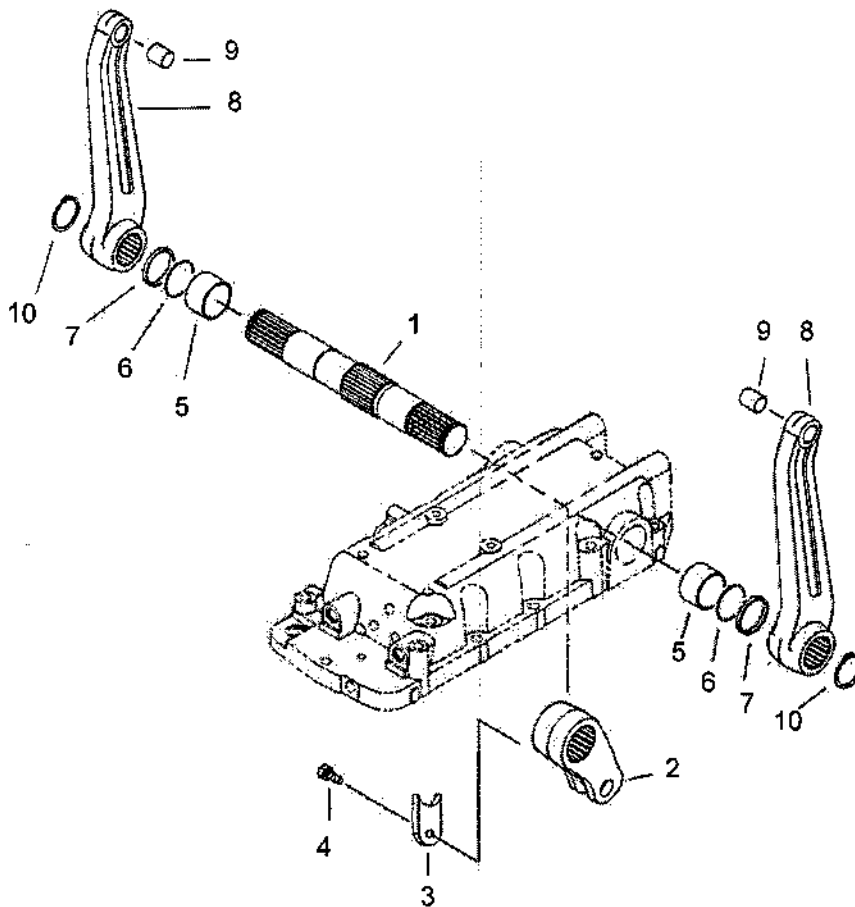


300 DTC/360 DTC

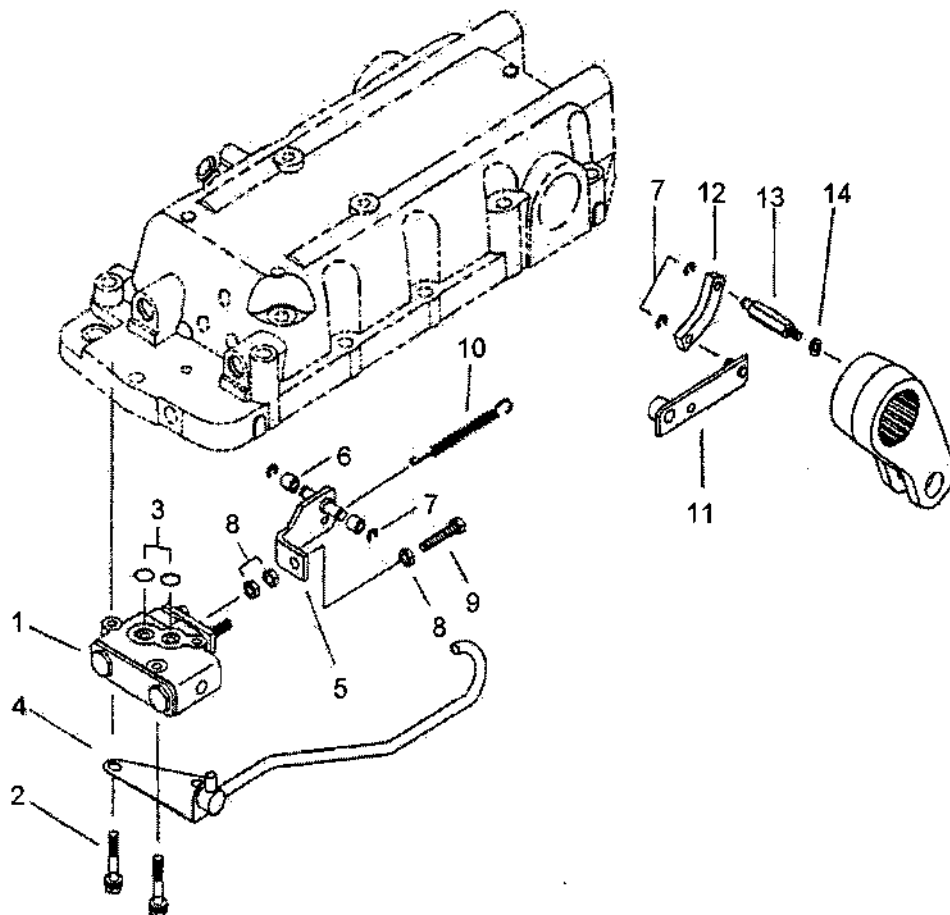
ITEM No	LONG No.	VENDOR No.	DESCRIPTION	QTY.	
				300 DTC	360 DTC
1	LG2378	A1826032	Cylinder, Hydraulic	1	1
2	LG1273	S801014020	O-Ring	1	1
3	LG2384	A1826085	O-Ring	2	2
4	LG2380	A1826048	Ring, Backup	2	2
5	LG2021	3A1826003	Piston, Hyd.	1	1
6	LG1390	A1826033	Rod, Piston	1	1
7	LG1010	3A1970002	Bushing	1	1
8	LG1965	S103125043	Bolt, Hex (M12 - 1.25 x 50)	3	3
9	N630175-S8		Washer, Spring (M21.5 x 12 x 3)	3	3
10	LG2379	A1826037	Valve, Safety	1	1
11	LG1275	S801018010	O-Ring	1	1
12	LG1404	A1826036	Seal	1	1
13	LG2467	A1970259	Knob	1	1
14	LG1890	S345080013	Nut, Flange B-TY (M8 - 1.25)	1	1
15	LG2382	A1826078	Flow, Regulator	1	1
16	LG1966	A1826081	Nut, Hex (M18 - 1.25)	1	1
17	LG1967	A1826080	Screw, Adjust	1	1
18	LG2499	S801006020	O-Ring	1	1
19	LG2383	A1826079	Body, Regulator	1	1
20	LG1273	S801014020	O-Ring	1	1
21	LG1728	S801010020	O-Ring	1	1
22	LG2476	A20063480	Ball, Steel	1	1
23	LG2381	A1826058	Spring	1	1
24	LG1968	S153101633	Bolt, Hex (M8 - 1.25 x 16)	1	1
25	LG1318	3A1826001	Pin	1	1

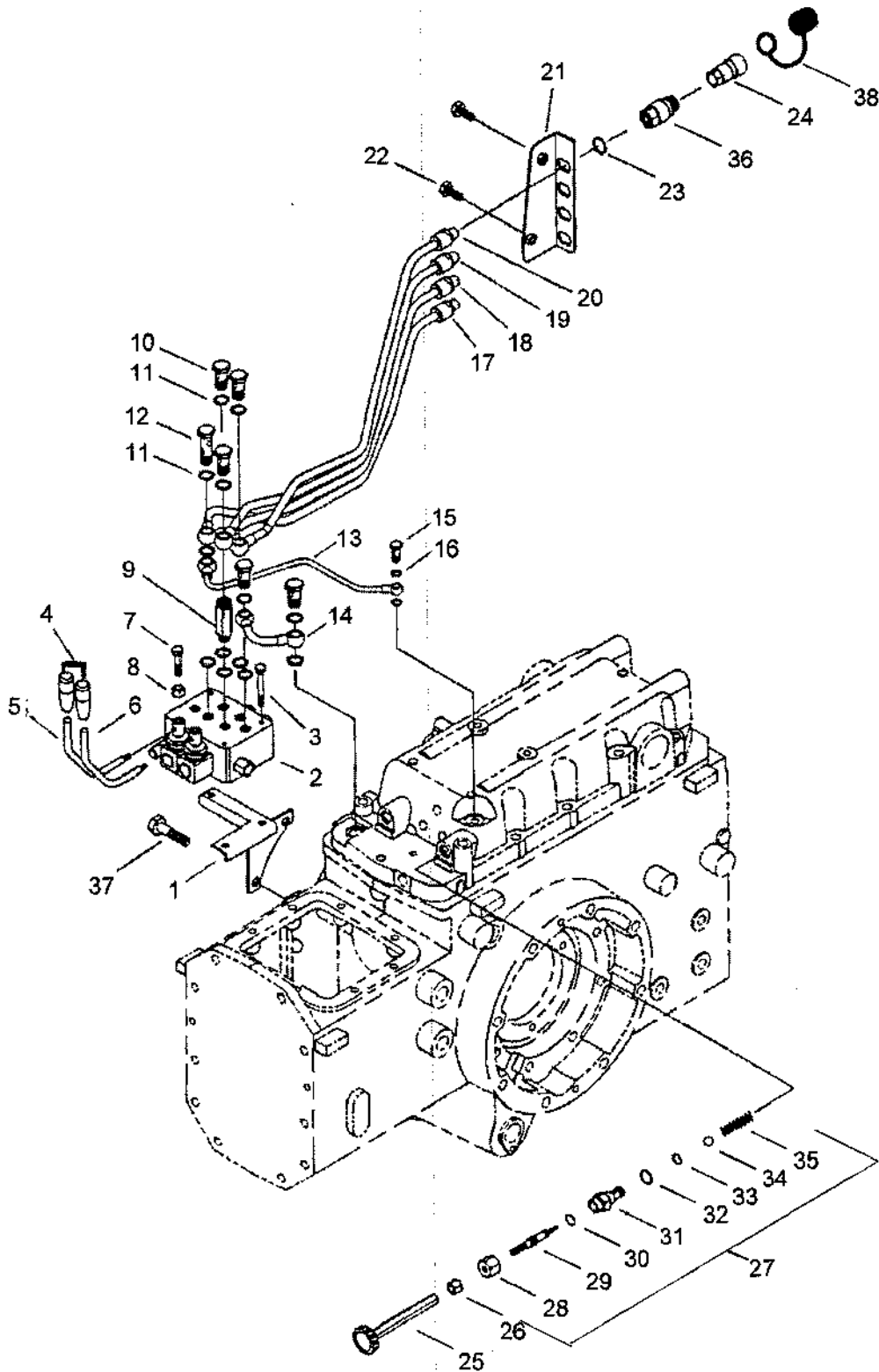
300 DTC/360 DTC

ITEM No.	LONG No.	VENDOR No.	DESCRIPTION	QTY.	
				300 DTC	360 DTC
1	LG1426	A1821030	Shaft, Hydraulic	1	1
2	LG1704	A1821029	Arm, Power	1	1
3	LG1359	A1826094	Plate, Lock	1	1
4	LG1860	S153081633	Bolt, Hex (M8 - 1.25 x 16)	1	1
5	LG1009	3A1821005	Bushing	2	2
6	LG1279	S802045010	O-Ring	2	2
7	LG1052	3A1821004	Collar	2	2
8	LG2002	2A1821006	Arm, Lift	2	2
9	LG2012	3A1821007	Bushing	2	2
10	N661232-S		Ring, Snap	2	2



ITEM No	LONG No.	VENDOR No.	DESCRIPTION	QTY.	
				300 DTC	360 DTC
1	LG1528	A1822027	Valve, Control	1	1
2	LG1954	S155085033	Bolt, Hex (M8 - 1.25 x 50)	3	3
3	LG1271	S801012020	O-Ring	2	2
4	LG1337	2A1822012	Pipe, Lubrication	1	1
5-7	LG2366	A1824025	Clevis Assy	1	1
5	LG1955	A1824030	Clevis	1	1
6	LG3386	3A1822006	Roller	2	2
7	LG1873	S814006003	Ring, Snap (E)	4	4
8	N620013-S8		Nut, Hex (M8 - 1.25)	3	3
9	500347		Bolt, Hex (M8 - 1.25 x 50)	1	1
10	LG4165	A1822086	Spring	1	1
11	LG2369	A1824028	Link	1	1
12	LG2013	3A1822010	Link (E)	1	1
13	LG1956	A1822031	Pin	1	1
14	N630173-S8		Washer, Spring	1	1





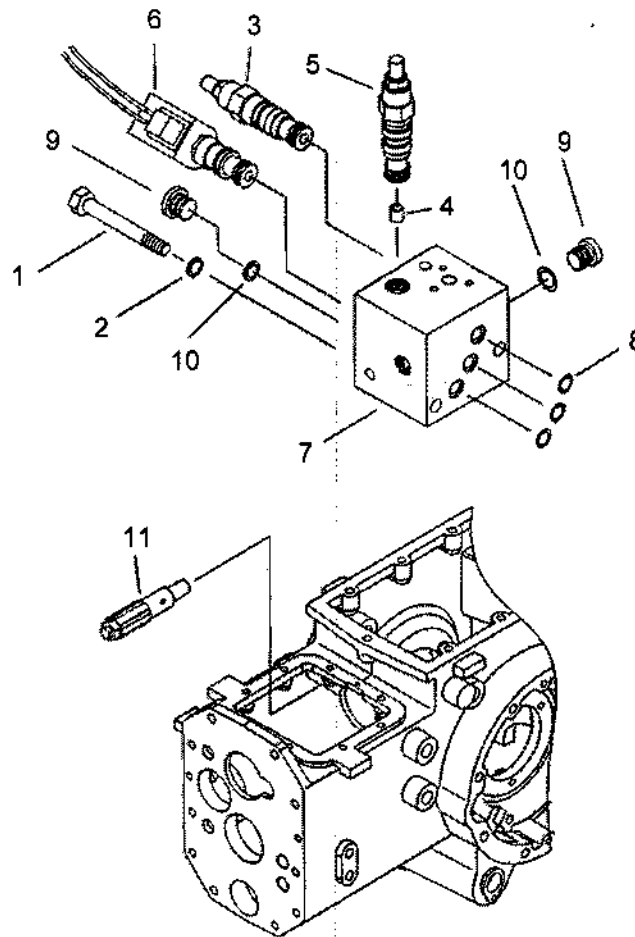
REMOTE CONTROL VALVE AND LINES

300 DTC/360 DTC

ITEM No	LONG No.	VENDOR No.	DESCRIPTION	QTY.	
				300 DTC	360 DTC
1	LG2386	A1827143	Bracket, Valve	1	1
2	LG4053	A1827178	Valve, Remote Control	1	1
3	LG1969	S153086033	Bolt, Hex (M8 - 1.25 x 60)	3	3
4	LG1155	A1970242	Grip, Valve Lever	2	2
5	LG4054	A1827145	Lever(2), Valve	1	1
6	LG3397	A1827144	Lever(1), Valve	1	1
7	500236		Bolt, Hex Small	2	2
8	N620014-S8		Nut, Hex (M10 - 1.5)	2	2
9	LG2393	A1827152	Connector	1	1
10	LG1708	A1630201	Bolt, Union	5	5
11	LG3367	A1823245	Seal, Bonded	14	14
12	LG1970	A1827151	Bolt, Union	1	1
13	LG2395	A1827154	Pipe, Aux S/D	1	1
14	LG2392	A1827150	Pipe, Aux. Drain	1	1
15	LG1802	A1823157	Bolt, Union (M12 - 1.75)	1	1
16	LG1803	A1823158	Washer, Copper	2	2
17	LG2391	A1827149	Pipe, R/Control 2nd (D)	1	1
18	LG2390	A1827148	Pipe, R/Control 2nd (U)	1	1
19	LG2389	A1827147	Pipe, R/Control 1st (D)	1	1
20	LG2388	A1827146	Pipe, R/Control 1st (U)	1	1
21	LG4950	A1827237	Bracket, Pipe	1	1
22	LG1971	S159081633	Bolt, Hex w/Washer(M8 - 1.25 x 16)	2	2
23	N661221-S		Ring, Snap	4	4
24	LG3399	A1827177	Quick Coupler	4	4
25	LG2467	A1970259	Knob	1	1
26	LG1890	S345080013	Nut, Flange B-TY (M8 - 1.25)	1	1
27	LG2382	A1826078	Flow, Regulator	1	1
28	LG1966	A1826081	Nut, Hex (M18 - 1.5)	1	1
29	LG1967	A1826080	Screw, Adjust	1	1
30	LG2499	S801006020	O-Ring	1	1
31	LG2383	A1826079	Body, Regulator	1	1
32	LG1273	S801014020	O-Ring	1	1
33	LG1728	S801010020	O-Ring	1	1
34	LG2476	A20063480	Ball, Steel	1	1
35	LG2381	A1826058	Spring	1	1
36	LG3400	A1827184	Reducer	4	4
37	LG4087	A1896473	Bolt, Hex (M14 - 2.00 x 40)	2	2
38	LG4085	A1827198	Dust Cover, Quick Couplers	4	4

300 DTC/360 DTC

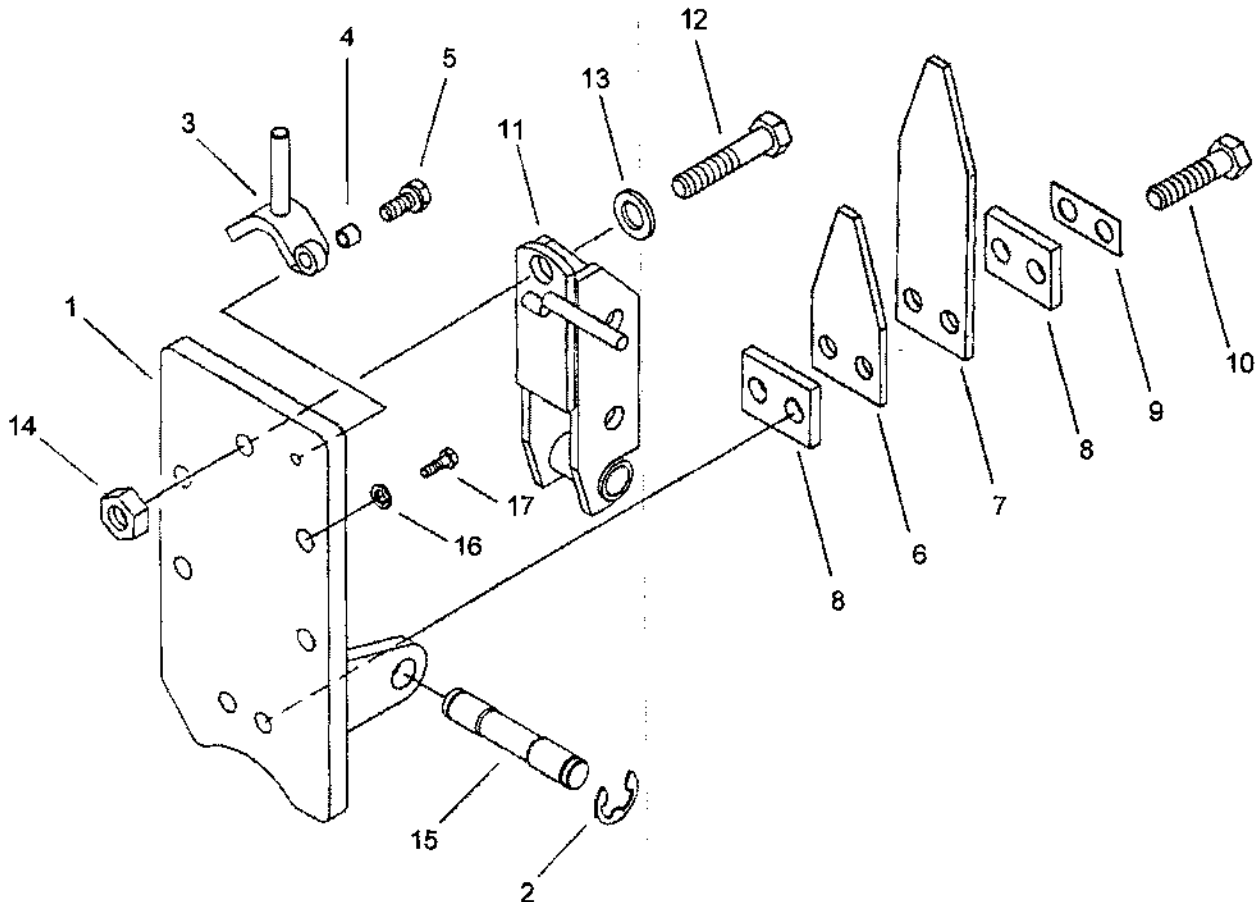
ITEM No.	LONG No.	VENDOR No.	DESCRIPTION	QTY.	
				300 DTC	360 DTC
1	LG1957	S107109043	Bolt, Hex (M10 - 1.25 x 90)	2	2
2	N630174-S8		Washer, Spring	2	2
3-10	LG3387	A1822065	PTO Valve Assy	1	1
3	LG3388	A1822020	Valve, Sequence	1	1
4	LG3389	A1822057	Orifice	1	1
5	LG3390	A1822021	Valve, Reducing	1	1
6	LG3391	A1822061	Valve, Solenoid	1	1
7	LG3392	A1822063	Block, Independent PTO Valve	1	1
8	LG2500	S801010011	O-Ring	3	3
9	LG1958	A1822064	Plug	2	2
10	LG1486	S801011010	O-Ring	2	2
11	LG3393	A1822066	Pressure Conn. Valve	1	1



THREE POINT HITCH

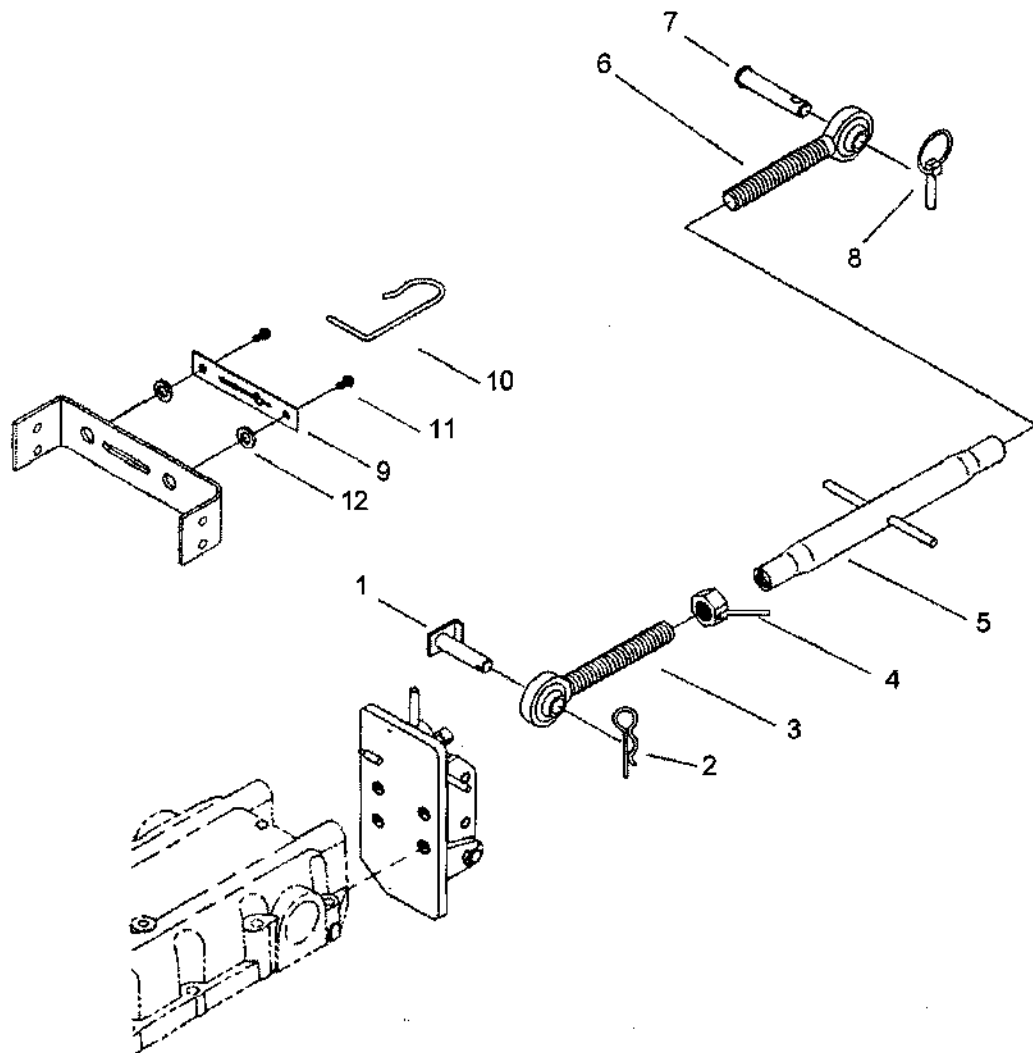
300 DTC/360 DTC

ITEM No.	LONG No.	VENDOR No.	DESCRIPTION	QTY.	
				300 DTC	360 DTC
1-15	LG3401	A1828033	Bracket, Top Link	1	1
1	LG3402	A182034	Bracket	1	1
2	LG1972	S814015003	Ring, Snap	2	2
3	LG3784	3A1828010	Stop	1	1
4	LG3404	3A1828014	Collar	1	1
5	LG1962	S155082533	Bolt, Hex (M8 - 1.0)	1	1
6	LG3405	3A1828021	Spring, Leaf	1	1
7	LG3406	3A1828022	Spring, Leaf	1	1
8	LG3407	3A1828023	Plate	2	2
9	LG3408	3A1828024	Plate, Lock	1	1
10	500351		Bolt, Hex (M14 - 1.5 x 45)	2	2
11	LG3409	A1828035	Bracket	1	1
12	LG1973	S103167043	Bolt, Hex (M16 - 1.5 x 70)	1	1
13	N630072-S8		Washer	1	1
14	500394		Nut, Hex (M16 x 1.5)	1	1
15	LG1974	3A1828025	Pin	1	1
16	N630187-S8		Washer, Spring	4	4
17	500179		Bolt, Hex (M14 - 2.00 x 35)	4	4

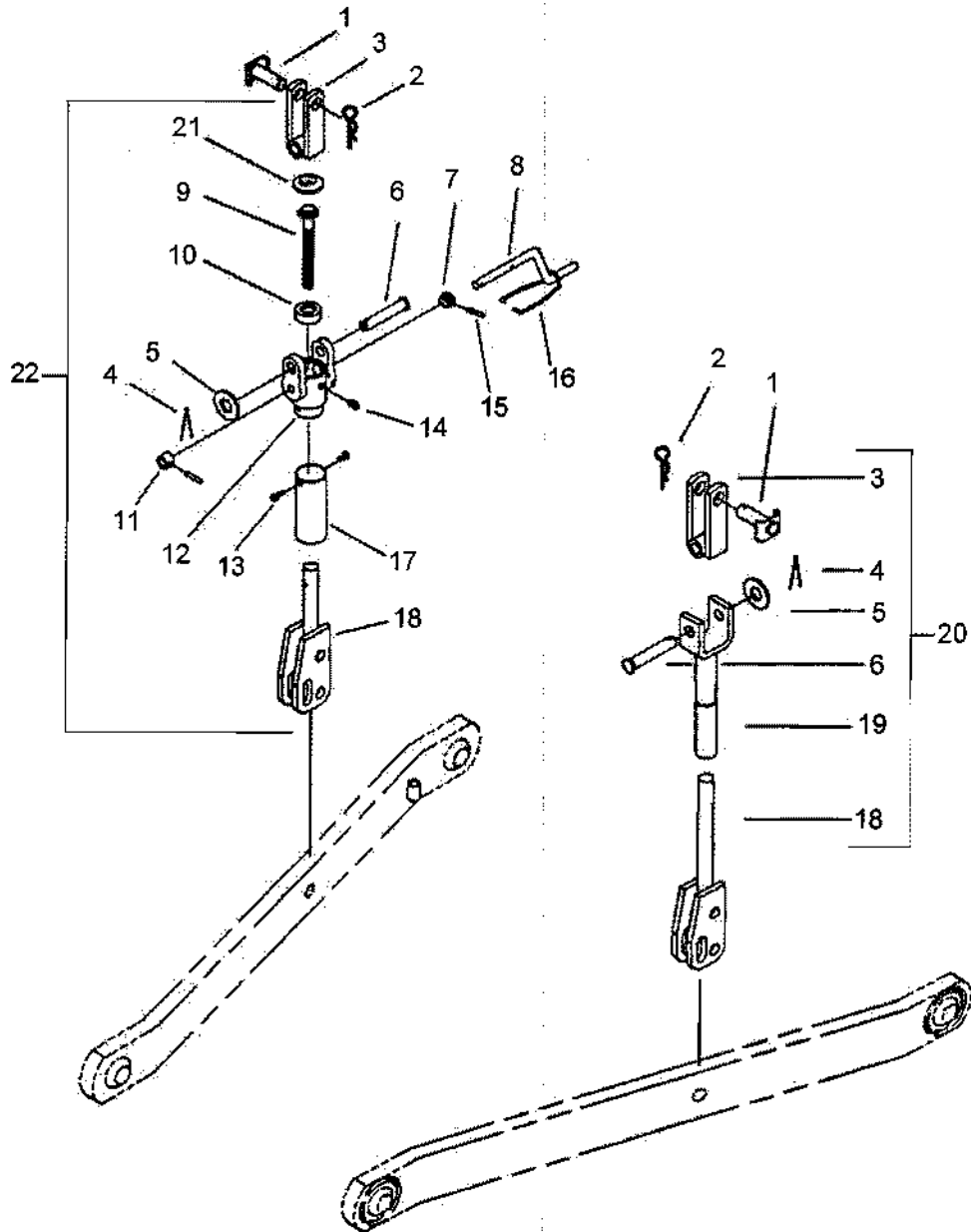


TOP LINK BRACKET

ITEM No	LONG No.	VENDOR No.	DESCRIPTION	QTY.	
				300 DTC	360 DTC
1	LG1326	A1896189	Pin, Top Link (F)	1	1
2	LG1991	3A1970091	Pin, Hair	1	1
3-6	LG3444	3A1896002	Top Link Assy	1	1
3	LG3445	3A1896006	End, Top Link (F)	1	1
4	LG1993	3A1970092	Nut, Lock (M24 - 3)	1	1
5	LG3446	2A1896003	Turn Buckle (M24 - 3)	1	1
6	LG3447	3A1896007	End, Top Link (R)	1	1
7	LG1994	3A1896013	Pin, Top Link (R)	1	1
8	LG1320	3A1896081	Pin, Clevis	1	1
9	LG4951	A1896519	Bracket, Hook	1	1
10	LG3449	A1896336	Hook, Top Link	1	1
11	LG1971	S159081633	Bolt, Hex (M8 - 1.25 x 16)	2	2
12	LG3450	A1830277	Spacer, Grill	2	2



TOP LINK

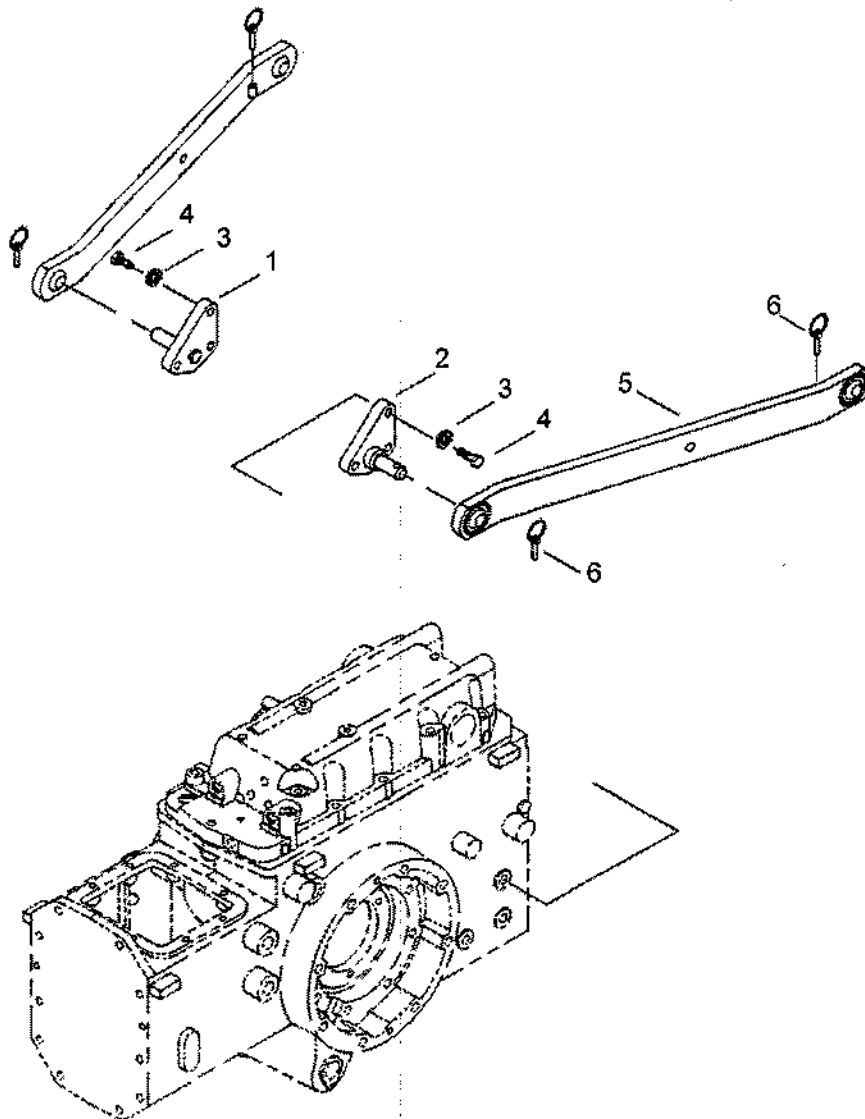


**300 DTC/360 DTC**

ITEM No	LONG No.	VENDOR No.	DESCRIPTION	QTY.	
				300 DTC	360 DTC
1	LG1995	3A1896058	Pin, Lift Rod	2	2
2	LG1991	3A1970091	Pin, Hair	2	2
3	LG3451	3A1896035	Joint, Lift Rod	2	2
4	N642590-S8		Pin, Cotter	2	2
5	N630072-S8		Washer, Plain	2	2
6	LG1996	3A1896038	Pin, Clevis	2	2
7	LG3452	3A1896049	Gear, Pinion	1	1
8	LG3453	3A1896048	Handle	1	1
9	LG3454	A1896206	Gear, Lift Rod	1	1
10	LG3455	A1896208	Bearing, Thrust	1	1
11	LG3456	3A1896050	Collar	2	2
12	LG3457	A1896207	Case, Gear	1	1
13	LG1998	S151061233	Bolt, Hex (M6 - 1.0)	2	2
14	LG1266	3A1970069	Nipple, Grease	1	1
15	500340		Pin, Spring	2	2
16	LG1999	3A1896051	Pin, Handle Stop	1	1
17	LG3458	A1896209	Cover	1	1
18	LG3459	A1896204	Rod, Lower Lift	2	2
19	LG3460	A1896205	Rod, Upper Lift	1	1
20	LG2454	A1896202	Lift Rod Assy (LH)	1	1
21	LG1997	3A1970095	Plug Expansion	1	1
22	LG2455	A1896203	Lift Rod Assy (RH)	1	1

300 DTC/360 DTC

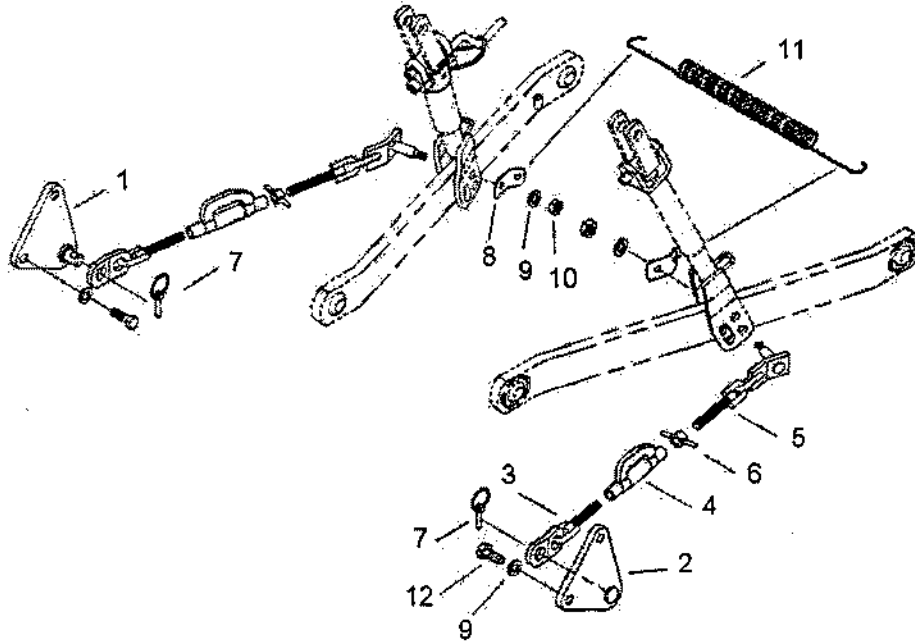
ITEM No.	LONG No.	VENDOR No.	DESCRIPTION	QTY.	
				300 DTC	360 DTC
1	LG1322	A1896188	Pin, Low Link (RH)	1	1
2	LG1321	A1896187	Pin, Low Link (LH)	1	1
3	N630178-S8		Washer, Spring	6	6
4	LG4087	A1896473	Bolt, Hex (M14 - 2.00 x 40)	6	6
5	LG2457	A1896320	Low Link Assy	2	2
6	LG1320	3A1896081	Pin, Clevis	4	4



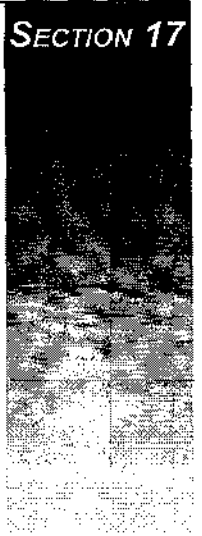
LOWER LINK

300 DTC/360 DTC

ITEM No	LONG No.	VENDOR No.	DESCRIPTION	QTY.	
				300 DTC	360 DTC
1	LG2458	A1896321	Bracket, C/Chain (R)	1	1
2	LG2459	A1896322	Bracket, C/Chain (L)	1	1
3-6	LG2461	A1896345	Check Chain Assy	2	2
3	LG3461	A1896346	Chain (F)	2	2
4	LG3462	A1896348	Turn Buckle	2	2
5	LG3463	A1896347	Chain (R)	2	2
6	LG2000	A1896349	Nut, Lock (M14 - 1.5) (LH)	2	2
7	LG1320	3A1896081	Pin, Clevis	2	2
8	LG2460	A1896333	Bracket, Spring	2	2
9	N630187-S8		Washer, Spring	6	6
10	500327		Nut, Hex (M14 - 1.25)	2	2
11	LG2453	A1896067	Spring, Lower Link	1	1
12	500179-S8		Bolt, Hex (M14 - 2.0)	4	4



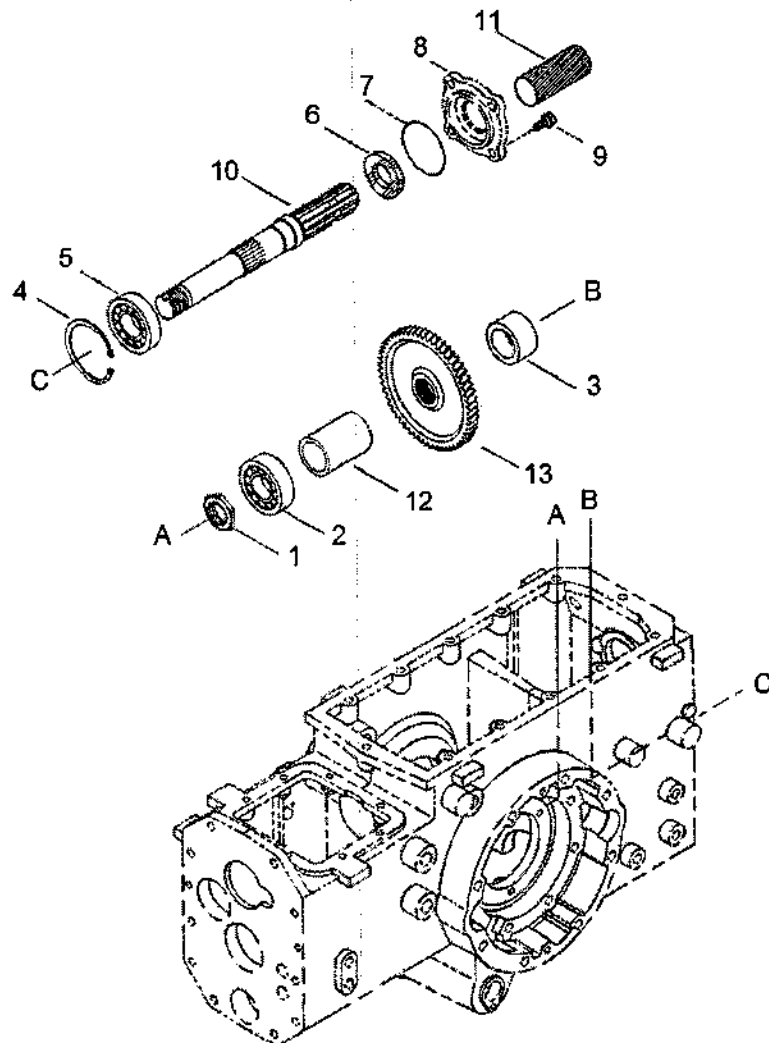
Notes



POWER TAKE-OFF

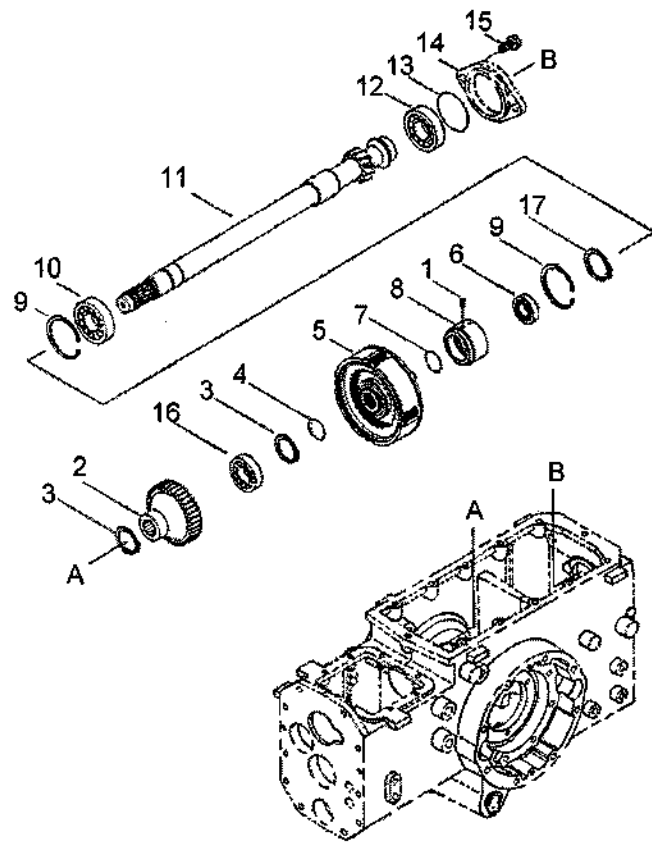
300 DTC/360 DTC

ITEM No.	LONG No.	VENDOR No.	DESCRIPTION	QTY.	
				300 DTC	360 DTC
1	LG1919	A1287179	Nut, Lock (M30 - 1.5)	1	1
2	LG1724	A0863060	Bearing, Ball	1	1
3	LG2112	A1281192	Spacer	1	1
4	N660257-S		Ring, Snap	1	1
5	LG1720	A0862070	Bearing, Ball	1	1
6	LG3324	A1287211	Seal Oil	1	1
7	LG1301	S804070010	O-Ring	1	1
8	LG3316	A1280115	Cover, PTO Shaft	1	1
9	LG1863	S154102533	Bolt, Hex	4	4
10	LG4057	A1287218	Shaft, PTO	1	1
11	LG1078	3A5102349	Cover, PTO	1	1
12	LG3513	A1287215	Spacer	1	1
13	LG3514	A1287214	Gear(56), PTO 1st Driven	1	1



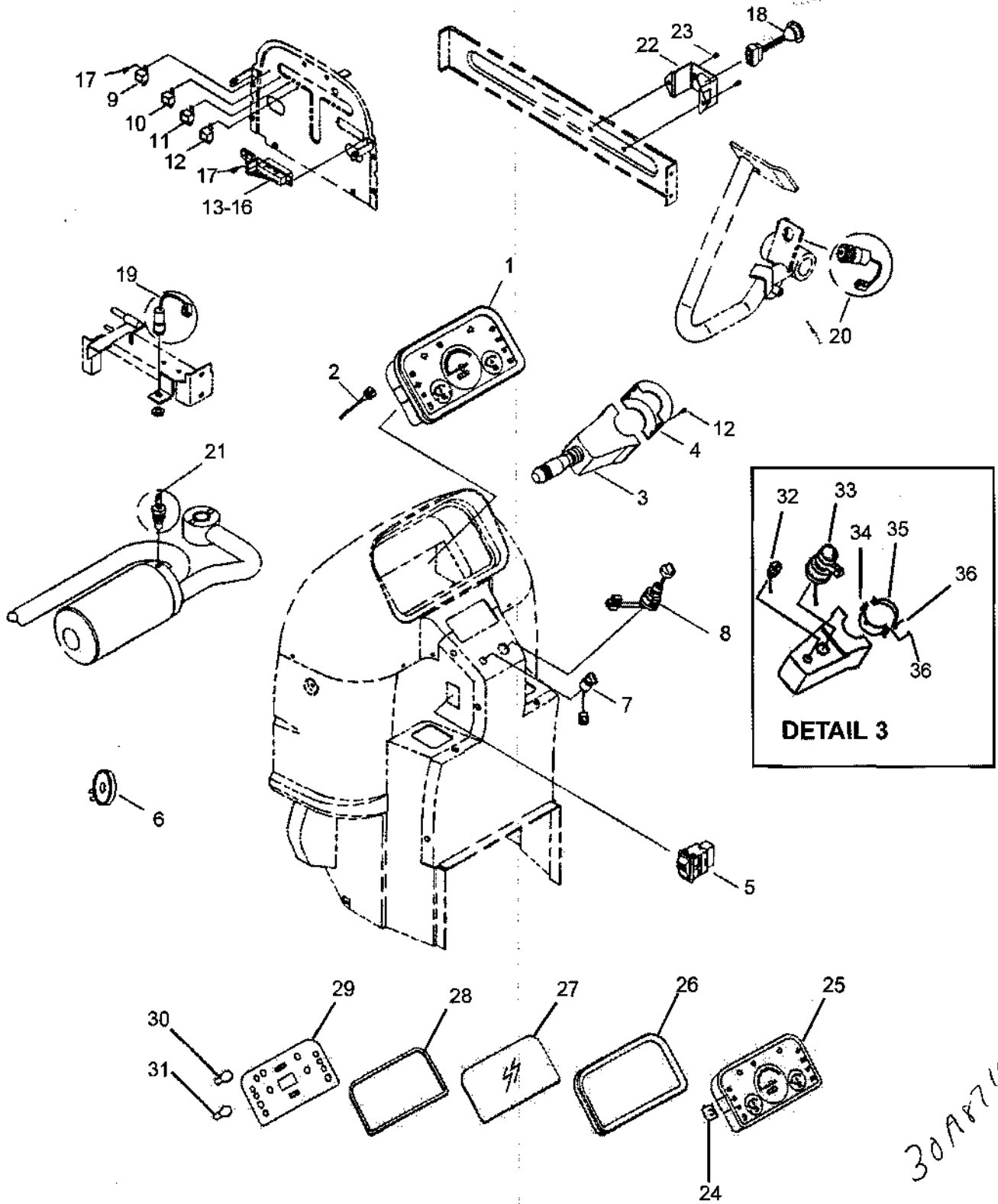
300 DTC/360 DTC

ITEM No	LONG No.	VENDOR No.	DESCRIPTION	QTY.	
				300 DTC	360 DTC
1	LG1915	S202082021	Screw, Set. Soc (M8 - 1.25 x 20)	1	1
2	LG2152	A1283191	Hub, PTO Clutch	1	1
3	N661218-S		Ring, Snap	2	2
4	LG1050	S804020010	O-Ring	1	1
5	LG2175	A1287185	Clutch, PTO	1	1
6	LG2047	A0860050	Bearing, Ball	1	1
7	LG3321	A1281229	Ring, Piston	1	1
8	LG2153	A1283192	Sleeve, Hyd. Circuit	1	1
9	N660250-S		Ring, Snap	2	2
10	LG1723	A0863050	Bearing, Ball	1	1
11	LG4084	A1287217	Shaft, PTO Drive	1	1
12	LG1724	A0863060	Bearing, Ball	1	1
13	LG1301	S804070010	O-Ring	1	1
14	LG3315	A1280090	Cover, PTO Shaft	1	1
15	LG1863	S154102533	Bolt, Hex	2	2
16	LG2046	A0860040	Bearing, Ball	1	1
17	N661221-S		Ring, Snap	1	1



Notes

ELECTRICAL SYSTEM AND INSTRUMENTATION

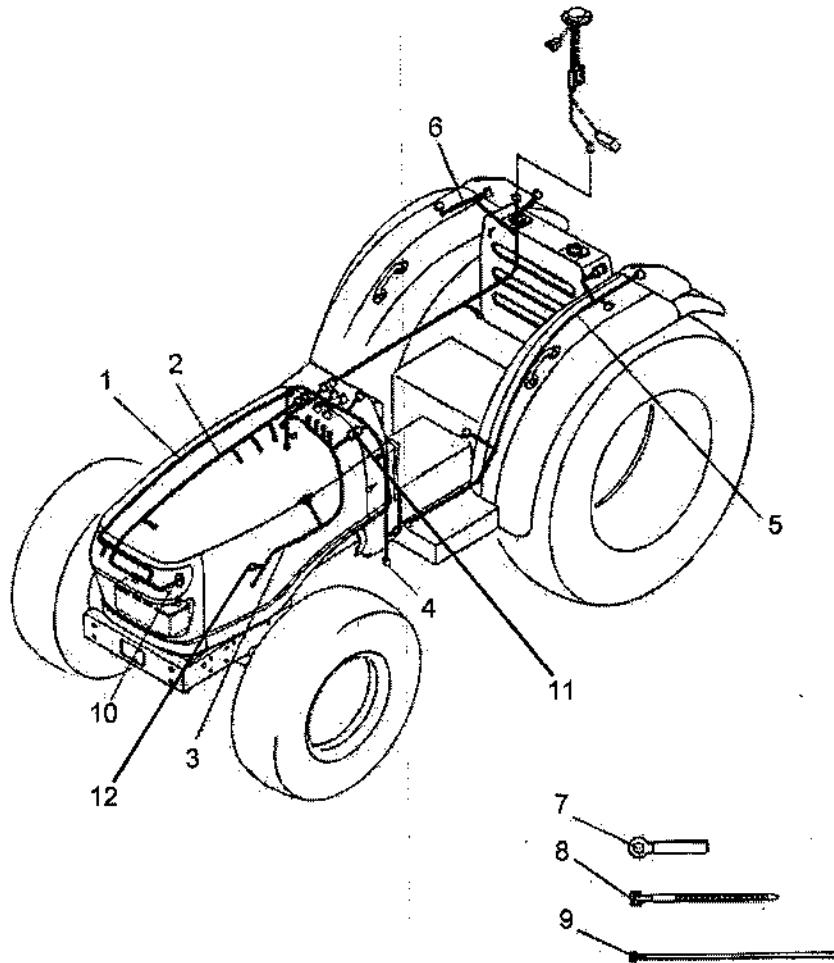


300 DTC/360 DTC

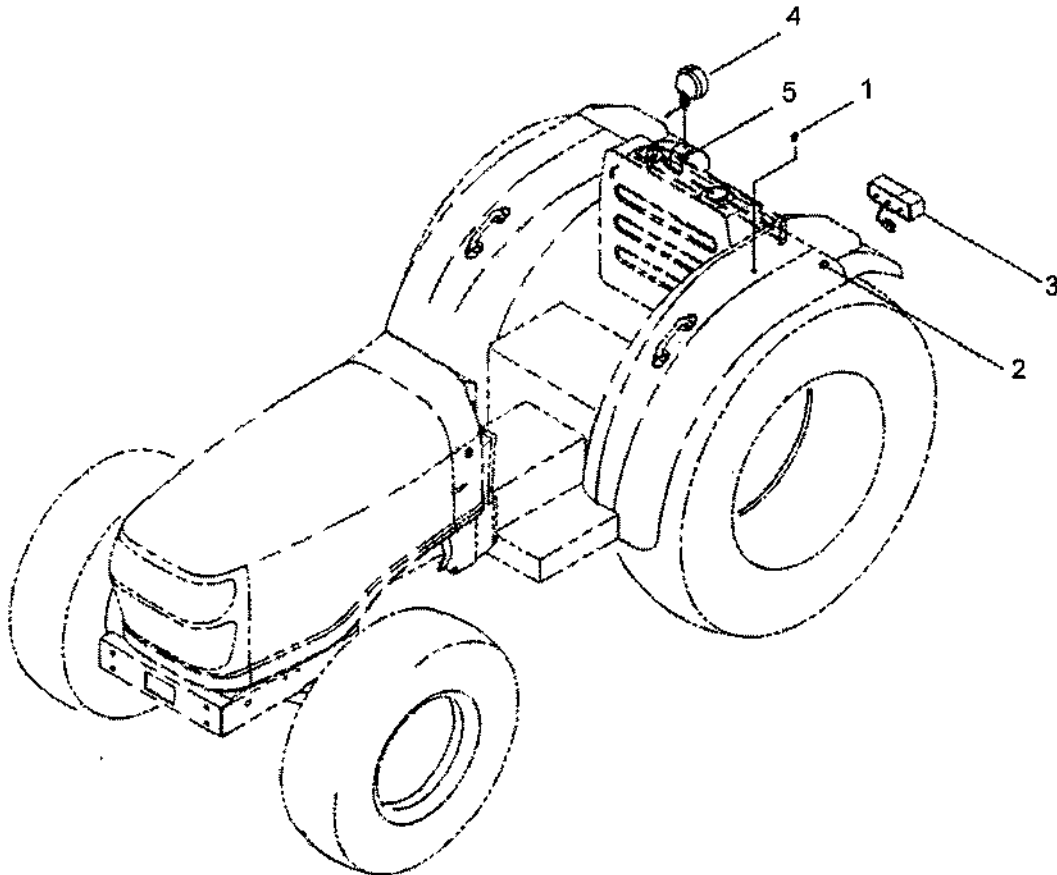
ITEM No	LONG No.	VENDOR No.	DESCRIPTION	QTY.	
				300 DTC	360 DTC
1	LG2333	A1750126	Instrument Panel Assy.	1	1
2	LG2337	A1750166	Cable, Tachometer	1	1
3	LG4176	A1750177	Steering Column Switch Assy.	1	1
4	LG2336	A1750153	Cover, Comb. Switch	1	1
5	LG3382	A1750161	Switch, Emergency	1	1
6	LG3954	A1730121	Horn Assy.	1	1
7	LG2335	A1750152	Switch, PTO Selector	1	1
8	LG1496	A5001132	Key Switch Assy.	1	1
9	LG1379	Q1800011	Glow Relay Assy.	1	1
10	LG4056	Q1800017	Timer, Glow	1	1
11	LG3383	Q1800014	Relay, Start	1	1
12	LG1098	A30G0005	Unit, Signal	1	1
13	LG2332	A1750124	Fuse Box Assy.	1	1
14	LG2043	A0751005	Fuse 10 AMP	3	3
15	LG2044	A0751006	Fuse 15 AMP	4	4
16	LG2045	A0751007	Fuse 20 AMP	2	2
17	LG1917	S155061643	Bolt-Hex. (M6-1.0x16)	5	5
18	LG2339	A1750171	Connector, 7-Pole	1	1
19	LG1514	A1750173	Switch, Brake	1	1
20	LG2330	A1750174	Switch, Start/PTO	1	1
21	LG3607	A1750175	Hyd., Sensor Assy.	1	1
22	LG4948	A1750267	Bracket, 7-Pole	1	1
23	LG1918	S155081643	Bolt, Hex w/Washer (M8 x 16)	4	4
24	LG4098	A1750139	Bracket, Panel	2	2
25	LG4097	A1750200	Meter Panel Assy.	1	1
26	LG4099	A1750127	Hood, Panel	1	1
27	LG4100	A1750128	Window Glass, Panel	1	1
28	LG4101	A1750137	Packing, Panel	1	1
29	LG4102	A1750193	PCB Circuit Panel	1	1
30	LG3378	A1750140	Bulb, (12v, 1.4w)	6	6
31	LG3379	A1750141	Bulb, (12v, 3.4w)	6	6
32	LG4177	A1750179	Switch, Horn	1	1
33	LG4178	A1750180	Switch, Combination	1	1
34	LG4179	A1750181	Clamp, Half-Switch	1	1
35	LG4180	A1750182	Clamp, Half-Column	1	1
36	LG4181	S226401211	Screw (M4-0.7x12)	1	1

300 DTC/360 DTC

ITEM No.	LONG No.	VENDOR No.	DESCRIPTION	QTY.	
				300 DTC	360 DTC
1	LG3372	A1730062	Harness, Front Light	1	1
2	LG3373	A1730108	Harness, Front Sensor	1	1
3	LG3374	A1730111	Harness, Engine Unit	1	1
4	LG3375	A1730110	Harness, Panel	1	1
5	LG3376	A1730112	Harness, Rear (LH)	1	1
6	LG3377	A1730109	Harness, Middle	1	1
7	LG2034	A0640014	Ring Terminal	5	5
8	LG2035	A0640028	Tie Wrap	14	14
9	LG2033	A0640007	Tie Wrap	5	5
10	LG1963	S155062033	Bolt, Hex	2	2
11	LG4083	A1754099	Inverting Unit	1	1
12	LG4110	A1730045	Fusible Link	1	1

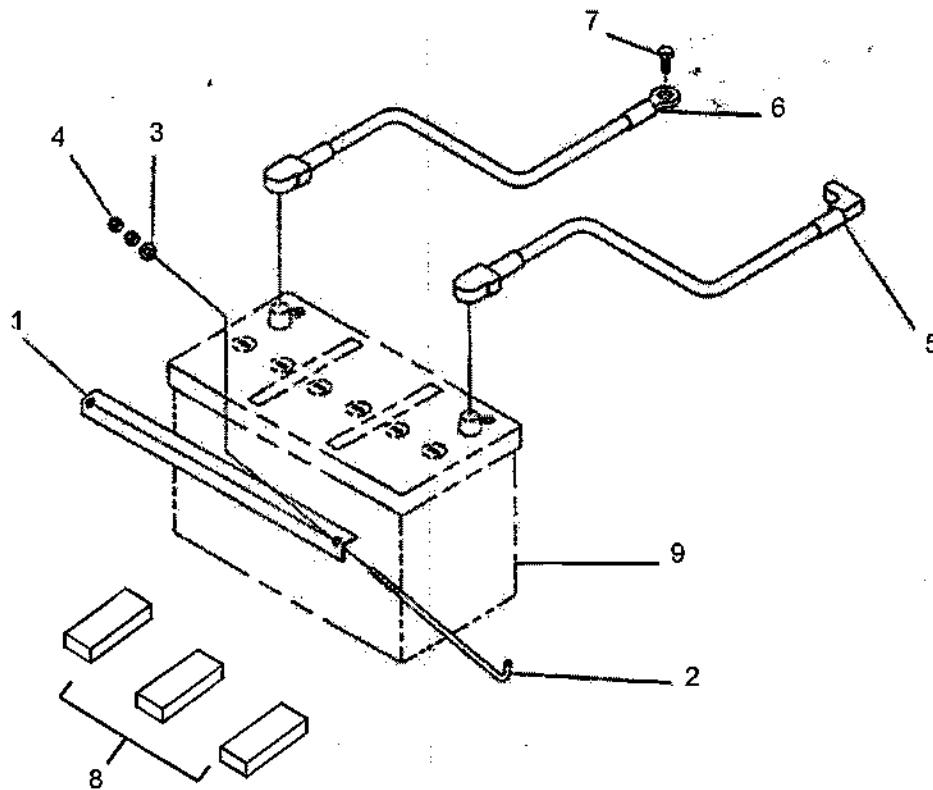


ITEM No	LONG No.	VENDOR No.	DESCRIPTION	QTY.	
				300 DTC	360 DTC
1	LG3385	A0610083	Plug	2	2
2	N620012-S8		Nut, Hex (M6 - 1.0)	2	2
3	LG3602	A1760035	Comb, Lamp Assy (RH)	1	1
-	LG3603	A1760036	Comb, Lamp Assy (LH)	1	1
4	LG3604	A1760037	Lamp, Working	1	1
5	N620013-S8		Nut, Hex (M8x1.25)	3	3
-	LG4060	A1760043	Bulb, Work Lamp	1	1
-	LG4061	A1760041	Bulb, Combo Tailight	2	2
-	LG4062	A1760042	Bulb, Combo Turn Signal	2	2



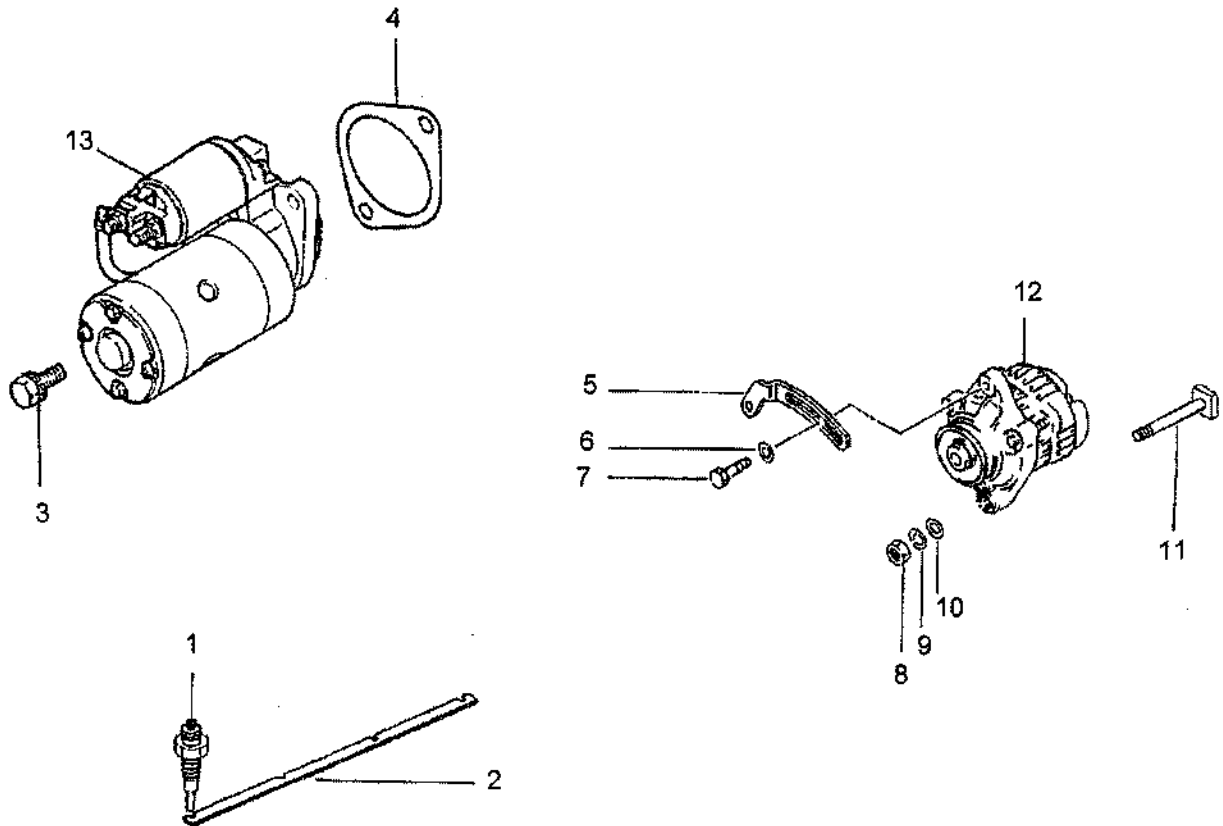
300 DTC/360 DTC

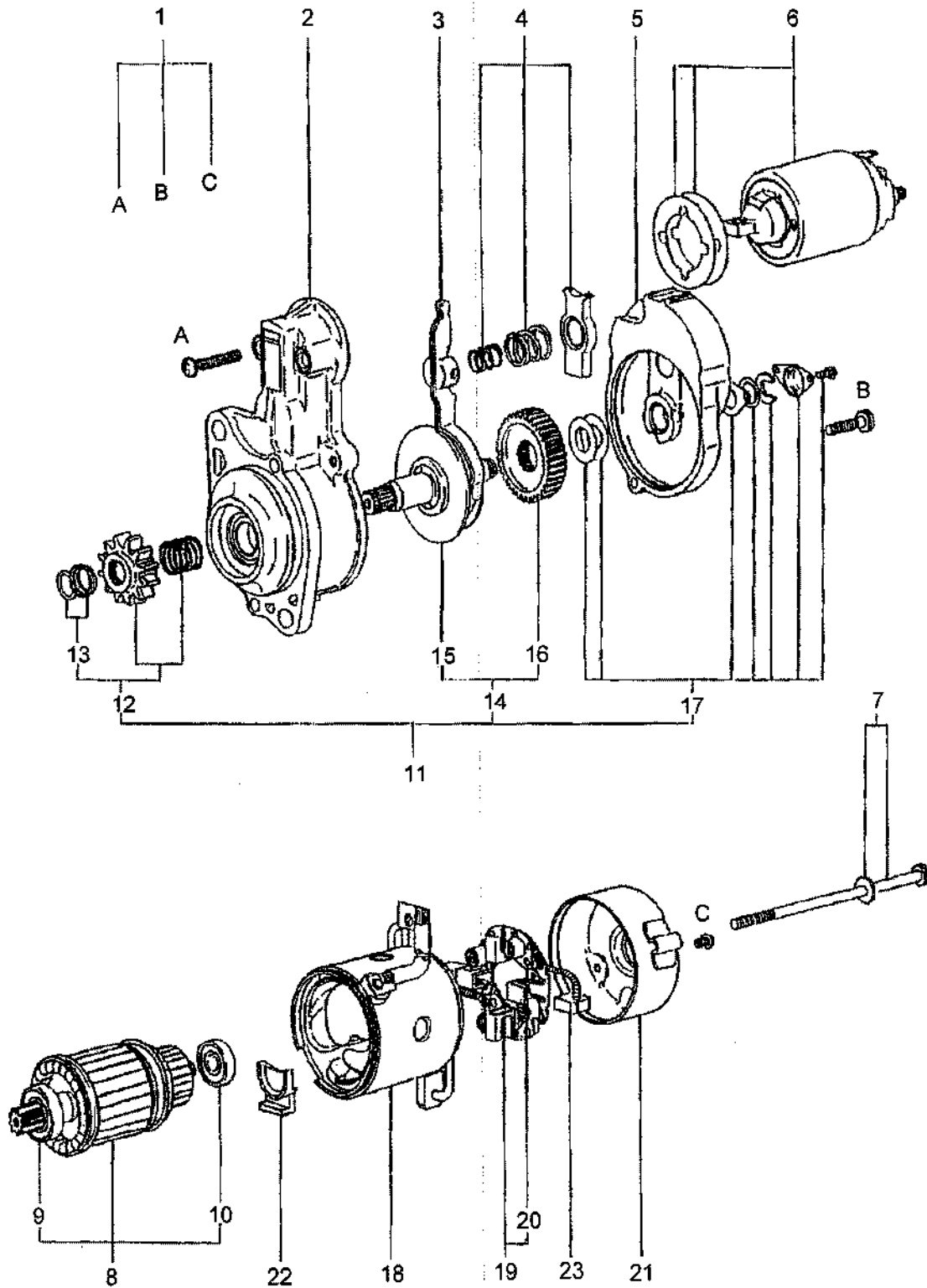
ITEM No.	LONG No.	VENDOR No.	DESCRIPTION	QTY.	
				300 DTC	360 DTC
1	LG2321	A1740003	Clamp, Battery	1	1
2	LG2340	A1741021	Rod, Battery Clamp	2	2
3	N630067-S8		Washer, Plain	2	2
4	N620012-S8		Nut, Hex (M6)	4	4
5	LG2323	A1740020	Battery Cable (+) Positive	1	1
6	LG2325	A1740021	Battery Cable (-) Negative	1	1
7	LG1897	S155082033	Bolt, Hex w/Washer (M8 - 1.25 x 20)	1	1
8	900576		Rubber Pad	3	3
9	783183		Battery	1	1



300 DTC/360 DTC

ITEM No	LONG No.	VENDOR No.	DESCRIPTION	QTY.	
				300 DTC	360 DTC
1	LG1652	32A6603100	Plug, Glow	4	4
2	LG2781	31A6604101	Plate, Connection	1	1
3	LG2782	F180510025	Bolt w/Washer	2	2
4	LG2783	MM40941901	Gasket, Starter	1	1
5	LG2784	31A6802100	Plate, Adjusting	1	1
6	LG2785	MD001521	Washer	1	1
7	LG2786	MF140026	Bolt, Flange	1	1
8	LG2787	MF430006	Nut	1	1
9	LG2788	MF450406	Washer, Spring	1	1
10	LG2789	MF450006	Washer, Plain	1	1
11	LG2790	31A6820300	Bolt, Alternator	1	1
12	LG2791	31A6800402	Alternator Assy	1	1
13	LG2792	MM409413	Starter Assy	1	1
-	LG4173	31A66-00101	Starter Assy.	1	1



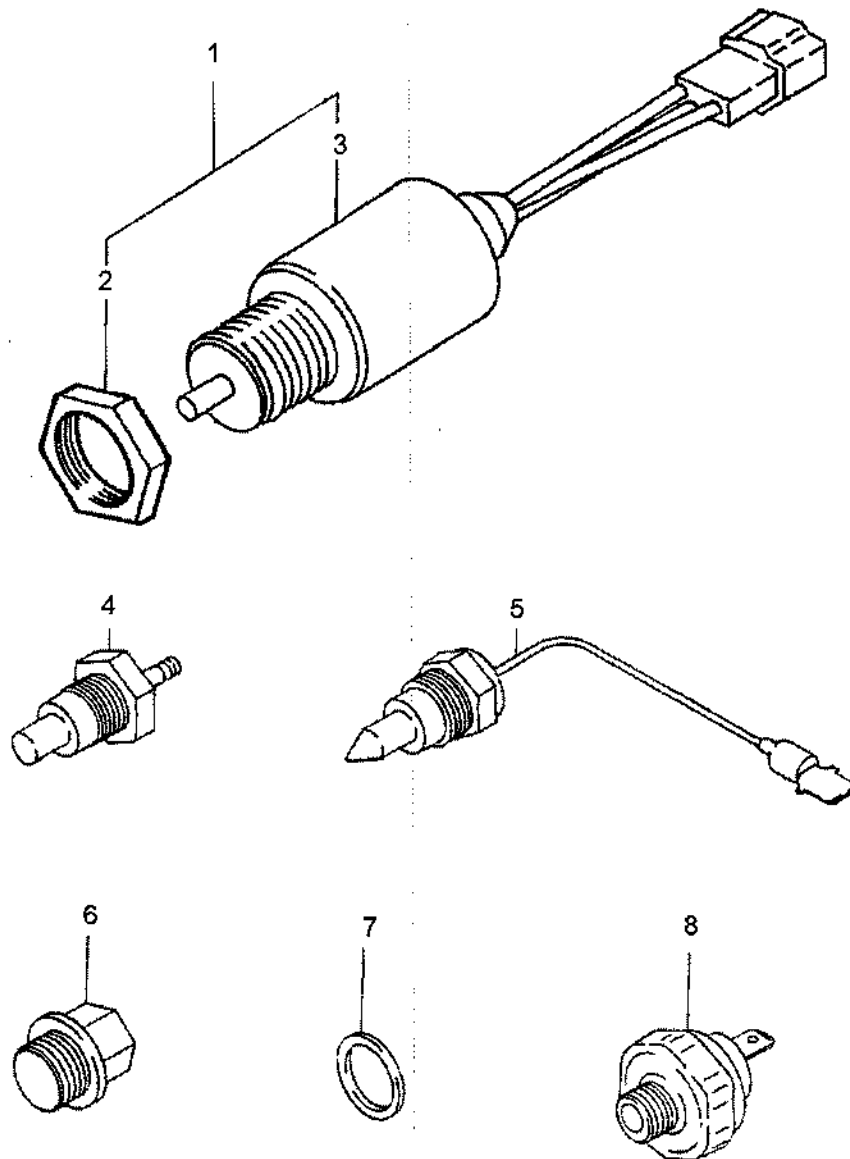


**300 DTC/360 DTC**

ITEM No	LONG No.	VENDOR No.	DESCRIPTION	QTY.	
				300 DTC	360 DTC
1-23	LG2792	MM409413	Starter Assy	1	1
1	LG2793	M414X04871	Screw Set	1	1
2	LG2794	M641X65471	Bracket Assy, Front	1	1
3	LG2795	M863C06171	Lever Assy	1	1
4	LG2796	M389X11472	Spring Set	1	1
5	LG2797	M640B27771	Bracket Assy, Center	1	1
6	LG2798	M372X00471	Switch Assy	1	1
7	LG2799	M901X00371	Bolt Set	1	1
8	LG2800	M106X29871	Armature Set	1	1
9	LG2801	S930P16470	Bearing Front	1	1
10	LG2802	S930P60470	Bearing, Rear	1	1
11	LG2803	M357X85371	Shaft Assy, Clutch	1	1
12	LG2804	M605X30671	Pinion Set	1	1
13	LG2805	M385X03771	Stopper Set	1	1
14	LG2806	M231X01371	Gear Set	1	1
15	LG2807	M357T73171	Shaft Assy, Pinion	1	1
16	LG2808	M231C01301	Gear	1	1
17	LG2809	M212X11771	Cover Set	1	1
18	LG2810	M800X44972	Yoke Assy	1	1
19	LG2811	M649T05071	Holder Assy, Brush	1	1
20	LG2812	M391C02501	Spring, Brush	4	4
21	LG2813	M644B21201	Bracket Assy, Rear	1	1
22	LG2814	M578D22801	Packing	1	1
23	LG2815	M648C28271	Brush	1	1

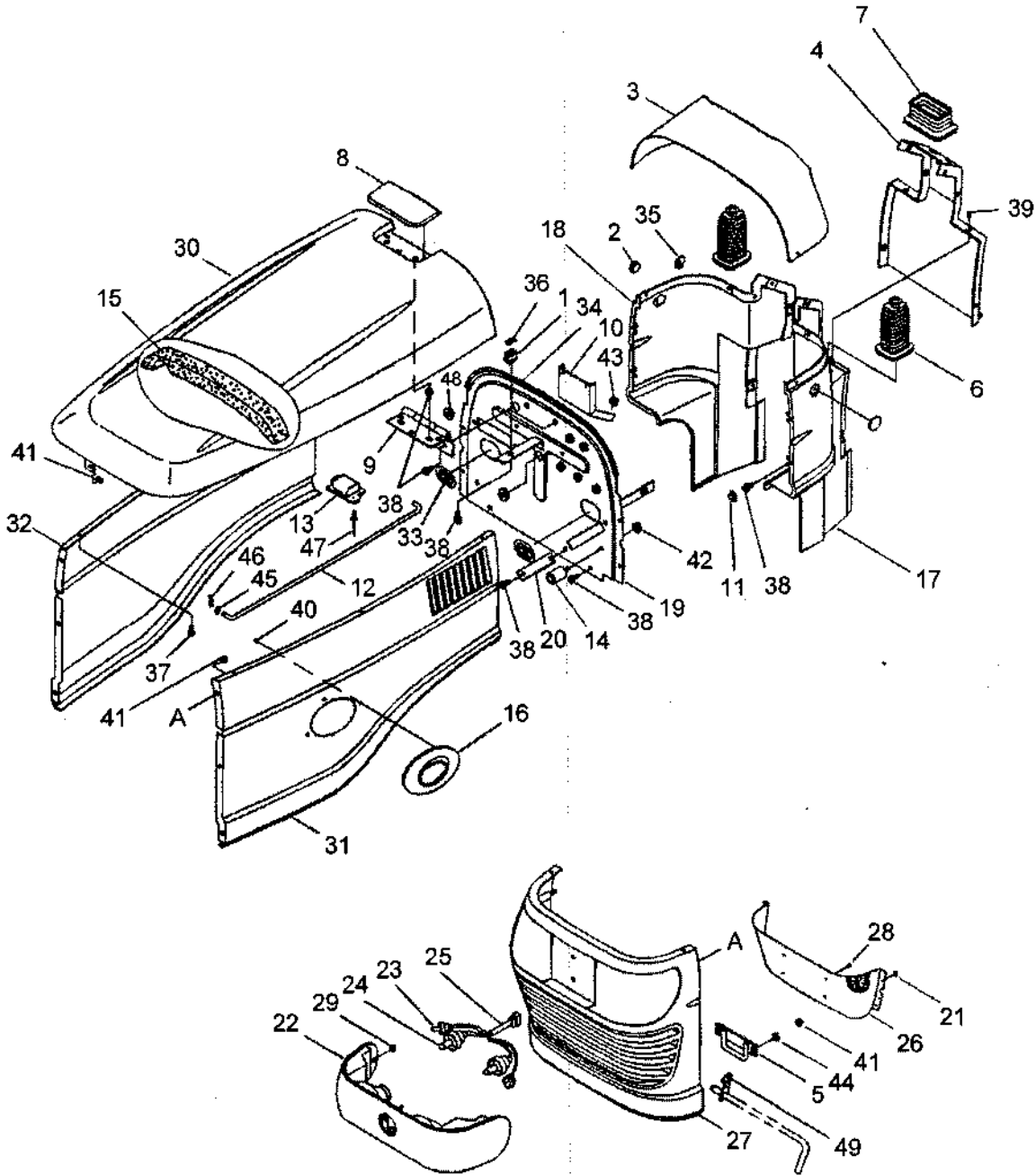
300 DTC/360 DTC

ITEM No.	LONG No.	VENDOR No.	DESCRIPTION	QTY.	
				300 DTC	360 DTC
	40109131	→ 40189702	→ 40240832		
1	LG2816	30A8710040	Solenoid & Nut Set	1	1
2	LG2817	MM409671	Nut	1	1
3	LG2818	30A8720400	Solenoid Assy	1	1
4	LG2819	MM43513302	Unit, Water Temp	1	1
5	LG2820	30L4602700	Thermoswitch	1	1
6	LG2827	MM316248	Plug, Drain	1	1
7	LG1581	3063625901	Gasket	1	1
8	LG2821	31A9000300	Switch Assy, Oil	1	1



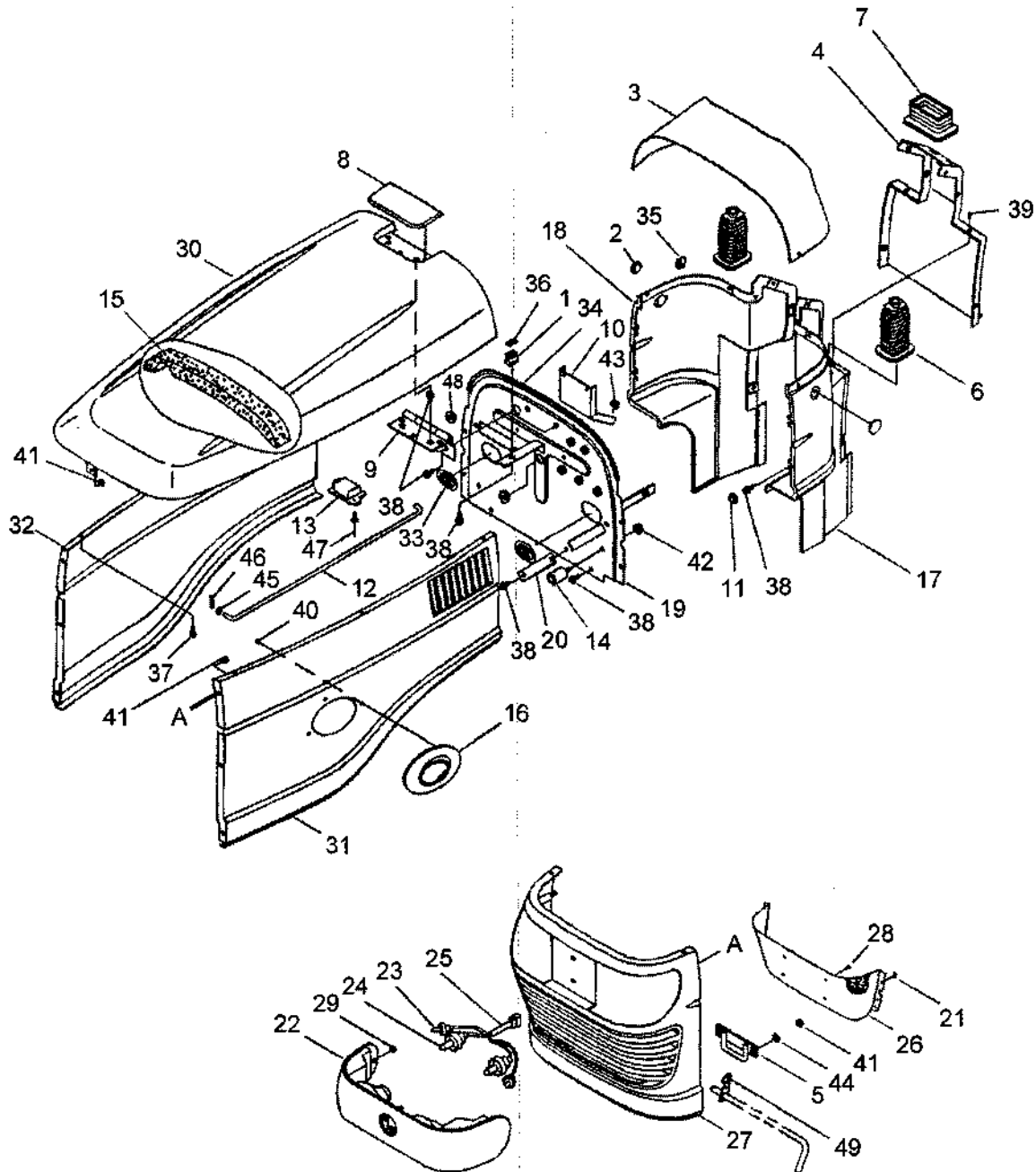
SHEET METAL





**300 DTC/360 DTC**

ITEM No	LONG No.	VENDOR No.	DESCRIPTION	QTY.	
				300 DTC	360 DTC
1	LG2041	A0690218	Spring	1	1
2	LG4107	A1970303	Rubber Grommet	2	2
3	LG2402	A1830220	Panel, Body (Upper)	1	1
4	LG2403	A1830328	Panel, Body (Rear)	1	1
5	LG2408	A1830231	Hanger	1	1
6	LG2409	A1830240	Cover, Dust Lever	2	2
7	LG2411	A1830252	Cover, Steering	1	1
8	LG2413	A1830257	Cover, Hinge	1	1
9	LG2414	A1830258	Hinge	1	1
10	LG2415	A1830260	Bracket, Hinge	1	1
11	LG1975	A1830283	Bolt, Cap	4	4
12	LG2417	A1830284	Rod, Upper Cover	1	1
13	LG2418	A1830286	Stop, Hood Support	1	1
14	LG2419	A1830288	Stop, Rubber	2	2
15	LG2420	A1830289	Seal, Radiator Air	1	1
16	LG2421	A1830292	Cover, Exhaust	1	1
17	LG3410	A1830299	Panel, Body (LH)	1	1
18	LG3411	A1830300	Panel, Body (RH)	1	1
19	LG3412	A1830306	Plate, Heat Intercept	1	1
20	LG3413	A1830307	Cover	1	1
21-29	LG3414	A1830333	Grill Assy	1	1
21	LG1976	A0760137	Nut, Speed	6	6
22-25	LG3415	A1760034	Head Lamp Assy	1	1
22	LG3416	A1760032	Lens, Head Lamp	1	1
23	LG2345	A1760031	Lamp, Turn Signal	2	2
24	LG2344	A1760030	Lamp, Head	2	2
25	LG2318	A1730075	Harness, Head Lamp Wire	1	1
26	LG3417	A1830242	Grill Screen	1	1
27	LG5035	A1830522	Grill	1	1
28	LG1977	S234401613	Screw, TP CRS Truss (M4 - 16)	4	4
29	LG1982	S345060013	Nut, Flange B-TY	4	4
30	LG4952	A1830513	Hood, Bonnet	1	1
31	LG5033	A1830514	Cover, Side (LH)	1	1
32	LG5034	A1830515	Cover, Side (RH)	1	1
33	LG1159	A1970210	Grommet	2	2
34	LG3422	A1970269	Strip, Weather	1	1
35	LG2473	A1970279	Plate, Lock	12	12
36	LG2481	A7200107	Bracket, Spring	1	1
37	LG1978	S159061633	Bolt, Hex w/Washer (M6 - 16)	8	8
38	LG1979	S159082033	Bolt, Hex w/Washer (M8 - 1.25 x 20)	13	13

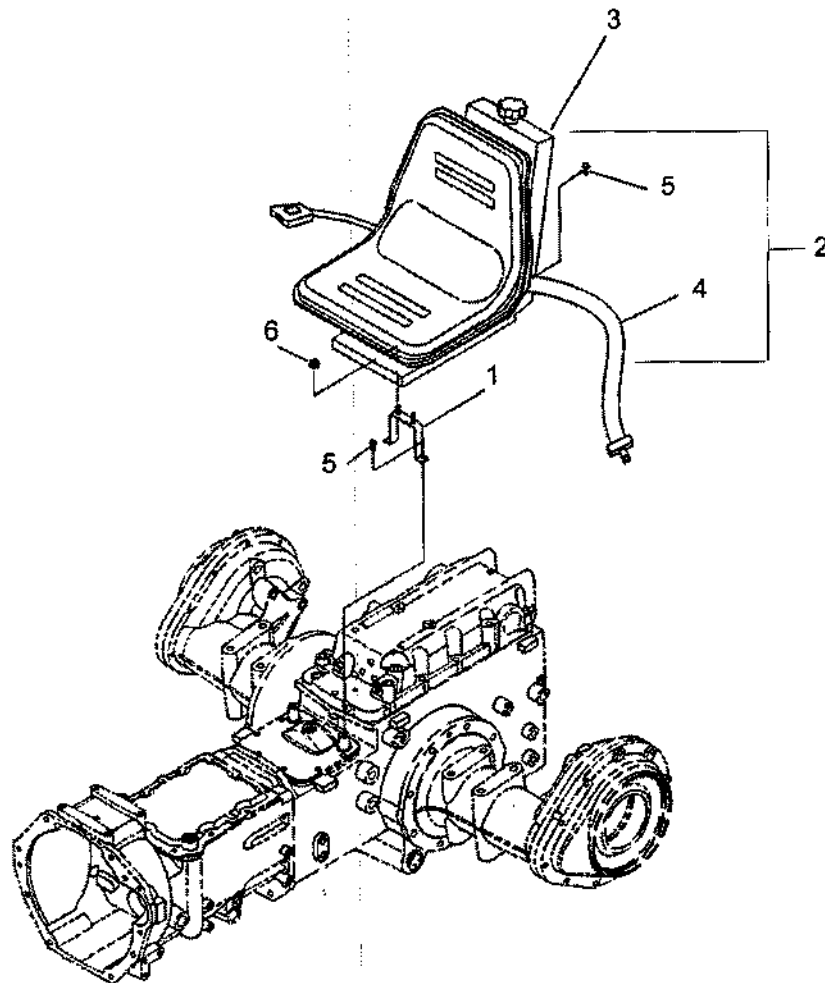


**300 DTC/360 DTC**

ITEM No	LONG No.	VENDOR No.	DESCRIPTION	QTY.	
				300 DTC	360 DTC
39	LG1980		Screw, Stainless (M5x16)	12	12
40	LG1981	S345050013	Nut, Flange B-Type (M5 - 0.8 x 5)	3	3
41	LG1982	S345060013	Nut, Flange B-Type (M6 - 1.0 x 6)	11	11
42	LG1890	S345080013	Nut, Flange B-Type (M8 - 1.25 x 8)	2	2
43	LG1983	S346100013	Nut, Flange B-Type(M10 - 1.25 x 10)	2	2
44	N630067-S8		Washer, Pln. S-RD(M11.5/6.4 x 1.6)	2	2
45	N630068-S8		Washer, Pln. S-RD(M15.5/8.4 x 1.6)	1	1
46	LG1984	S443080013	Pin, Snap A-TY (D8 x 27.7)	1	1
47	LG1985	S466321010	Rivet, Blind	2	2
48	LG3958	A0720034	Grommet	2	2
49	LG3959	A1970304	Band, Rubber	1	1

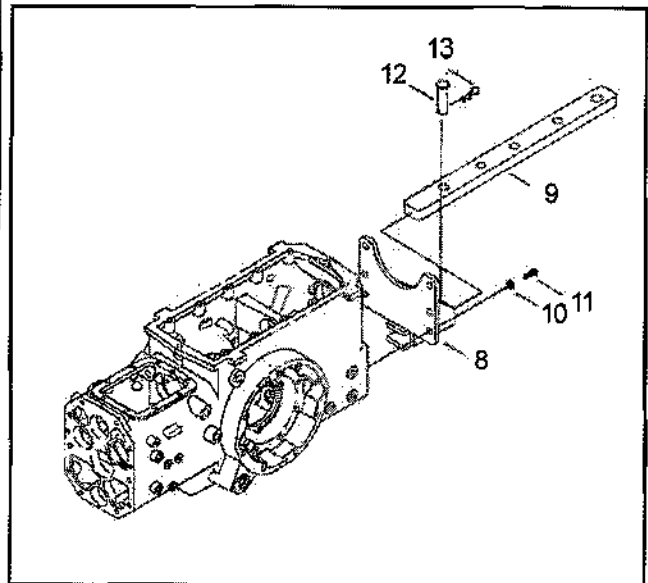
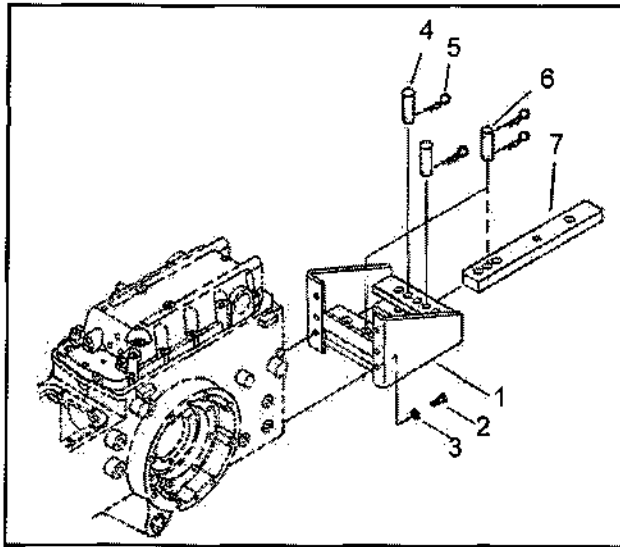
300 DTC/360 DTC

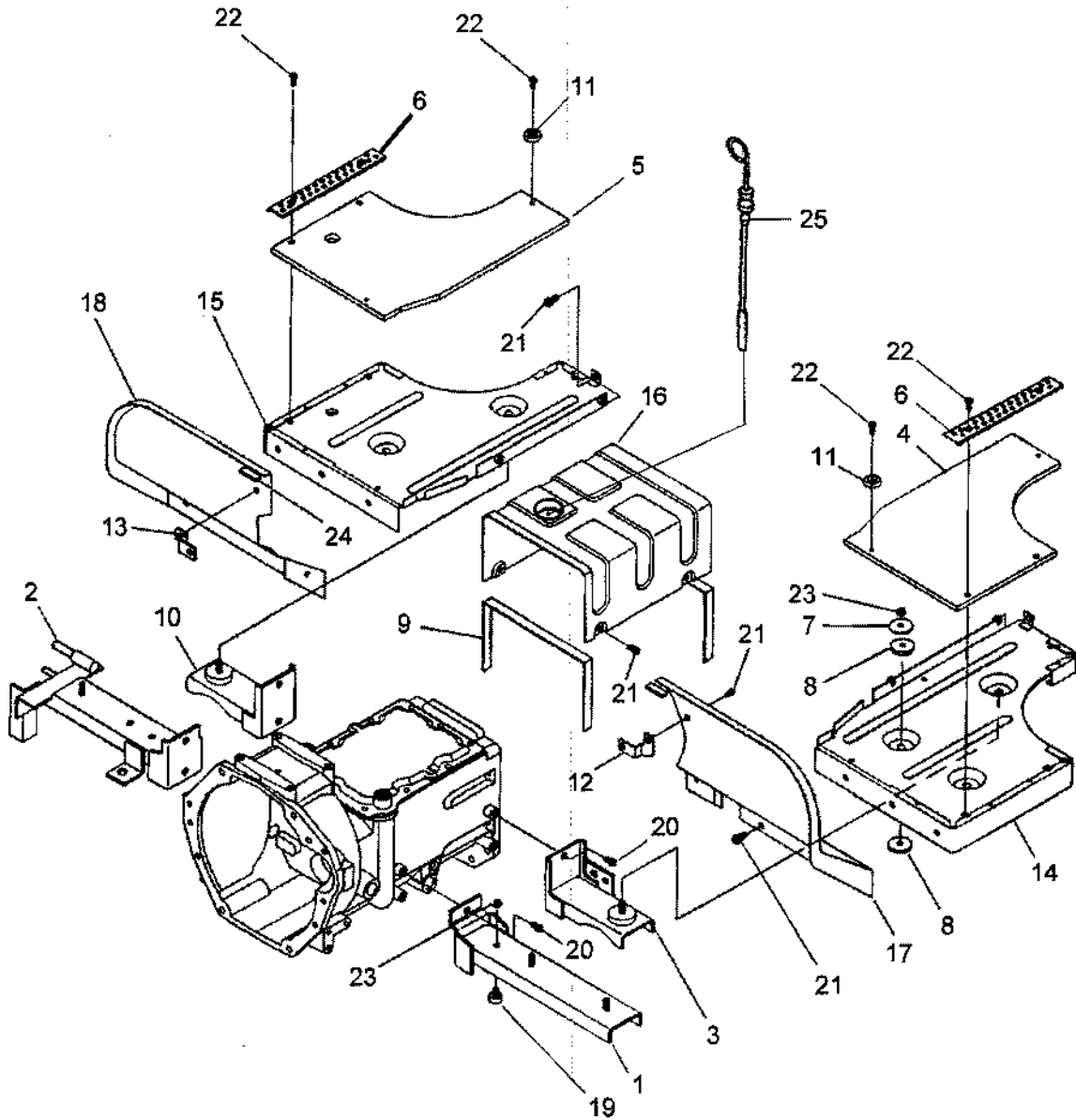
ITEM No.	LONG No.	VENDOR No.	DESCRIPTION	QTY.	
				300 DTC	360 DTC
1	LG2437	A1850078	Bracket, Seat	1	1
2	LG3428	A2960092	Seat Assy, w/Seat Belt	1	1
3	LG3429	A1850093	Seat Assy	1	1
4	LG3430	A1850091	Seat Belt Assy	1	1
5	LG1916	S156102533	Bolt, Hex w/Washer (M10 - 1.25 x 25)	4	4
6	LG1983	S346100013	Nut, Flange B-Type (M10 - 1.25)	2	2



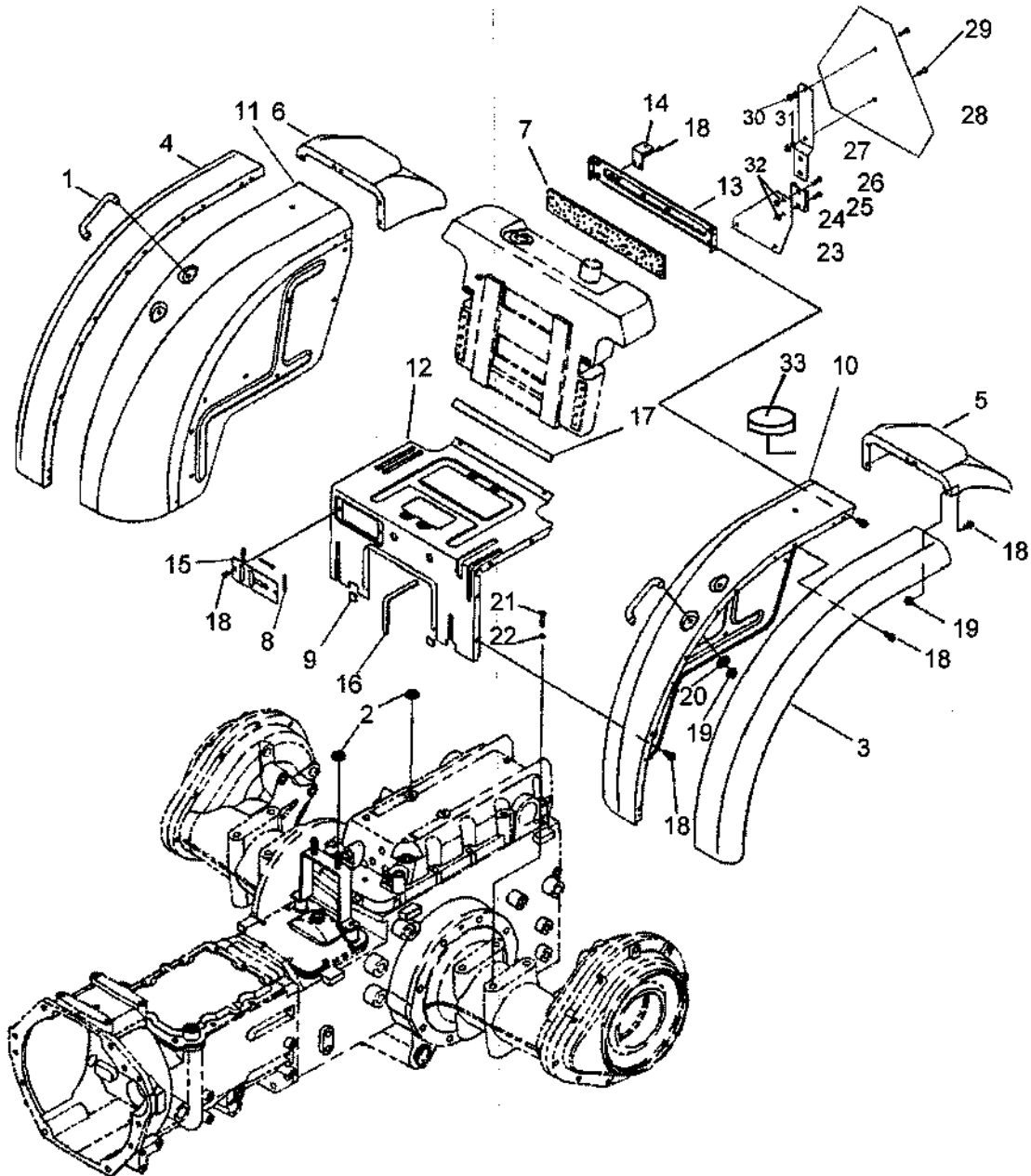
SEAT ASSEMBLY

ITEM No	LONG No.	VENDOR No.	DESCRIPTION	QTY.	
				300 DTC	360 DTC
1	LG3442	A1891026	Support, Hitch	1	1
2	N630187-S8		Washer, Spring	6	6
3	LG4087	A1896473	Bolt, Hex (M14 - 2.00 x 40)	6	6
4	LG1990	A1891030	Pin, Clevis	2	2
5	LG1991	3A1970091	Pin, Hair	4	4
6	LG1992	A1891029	Pin	1	1
7	LG3443	A1891027	Drawbar (ASAE)	1	1
8	LG4911	A1891049	Support, Hitch	1	1
9	LG4912	A1891050	Drawbar (ASAE)	1	1
10	N630187S8	S361140013	Washer, Spring (14.2x24.5x3.5)	6	6
11	LG1937	S101144043	Bolt, Hex (M14x2x40)	6	6
12	LG3842	A1891033	Pin, Clevis (25x77)	1	1
13	LG1991	3A1970091	Pin, Snap (28)	1	1





ITEM No	LONG No.	VENDOR No.	DESCRIPTION	QTY.	
				300 DTC	360 DTC
1	LG2426	A1840067	Bracket, Step Front (LH)	1	1
2	LG2427	A1840068	Bracket, Step Front (RH)	1	1
3	LG2428	A1840069	Bracket, Step Rear (LH)	1	1
4	LG2429	A1840070	Mat, Step (LH)	1	1
5	LG2430	A1840071	Mat, Step (RH)	1	1
6	LG2431	A1840072	Bracket, Mat Side	2	2
7	LG1986	A1840073	Washer, Step	5	5
8	LG2432	A1840074	Rubber, Cushion	10	10
9	LG2433	A1840076	Sponge	2	2
10	LG2434	A1840081	Bracket, Step Rear (RH)	1	1
11	LG1987	A1840082	Washer, Mat	4	4
12	LG2435	A1840083	Bracket, Cover (LH)	1	1
13	LG2436	A1840084	Bracket, Cover (RH)	1	1
14	LG5036	A1840209	Step, LH	1	1
15	LG5037	A1840210	Step, RH	1	1
16	LG5038	A1840211	Cover, T/M Case	1	1
17	LG5039	A1840212	Cover, LH	1	1
18	LG5040	A1840213	Cover, RH	1	1
19	LG2478	A3260012	Rubber	3	3
20	LG1862	S154102033	Bolt, Hex w/Washer (M10 - 1.25 x 20)	8	8
21	LG1979	S159082033	Bolt, Hex w/Washer (M8 - 1.25 x 20)	14	14
22	LG2492	S220802511	Screw (M8 - 1.25 x 25)	8	8
23	LG1890	S345080013	Nut, Flange B-TY (M8 - 1.25)	8	8
24	LG2474	A1970290	Strip, Weather	2	2
25	LG4191	A1280110	Dipstick, Oil Level	1	1

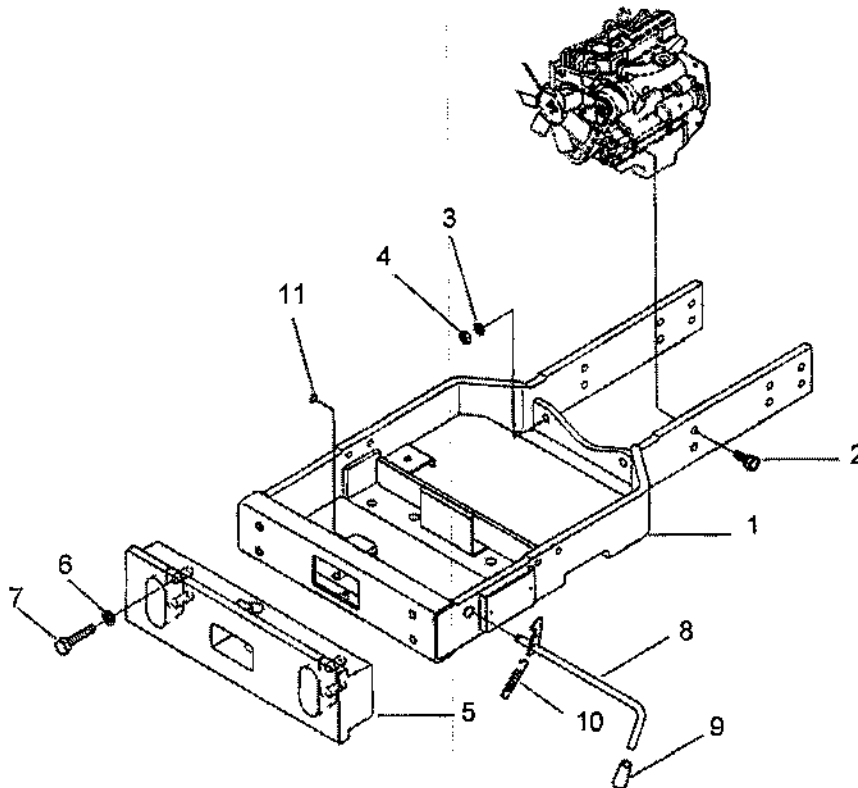




ITEM No	LONG No.	VENDOR No.	DESCRIPTION	QTY.	
				300 DTC	360 DTC
1	LG2022	3A1870006	Rail, Hand	2	2
2	LG2432	A1840074	Rubber, Cushion	4	4
3	LG3431	A1870211	Extension, Fender (LH)	1	1
4	LG3432	A1870212	Extension, Fender (RH)	1	1
5	LG3433	A1870213	Extension, Rear (LH)	1	1
6	LG3434	A1870214	Extension, Rear (RH)	1	1
7	LG2450	A1870233	Sponge	1	1
8	LG2451	A1870234	Sponge	4	4
9	LG3435	A1870237	Sponge	2	2
10	LG4962	A1870371	Fender, LH	1	1
11	LG4963	A1870372	Fender, RH	1	1
12	LG5041	A1870373	Cover, Center	1	1
13	LG4960	A1870374	Cover, Rear	1	1
14	LG4964	A1870375	Bracket, Working Light	1	1
15	LG5042	A1870377	Cover Assy w/Stopper	1	1
16	LG3517	A1870282	Cap, PTO Lever Hole	1	1
17	LG2474	A1970290	Strip, Weather	1	1
18	LG1979	S159082033	Bolt, Hex w/Washer (M8 - 1.25 x 20)	36	36
19	LG1890	S345080013	Nut, Flange B-Type(M8 - 1.25)	6	6
20	LG1989	S365082613	Washer, PLN L-RD (M8)	4	4
21	LG4087	A1896473	Bolt, Hex (M14 - 2.00 x 40)	4	4
22	N630187-S8		Washer, Lock 14MM	4	4
23	901983		SMV Bracket - Fuel Tank	1	1
24	33797-S8		Nut, Hex (5/16 - 18)	2	2
25	734612		Bracket, SMV Female	1	1
26	302355-S8		Bolt, CRG SHT (M5/16 - 18 x 1)	2	2
27	781708		Bracket, SMV Male	1	1
28	781707		Emblem, SMV	1	1
29	54312-S8		Screw, Pan Hd. (M10 - 24 x 1/2)	2	2
30	34053-S8		Nut, Hex (M10 - 24)	2	2
31	34803-S8		Washer, Lock (M10)	2	2
32	34806-S8		Washer, Lock (5/16)	2	2
33	LG3385	A0610083	Plug	2	2

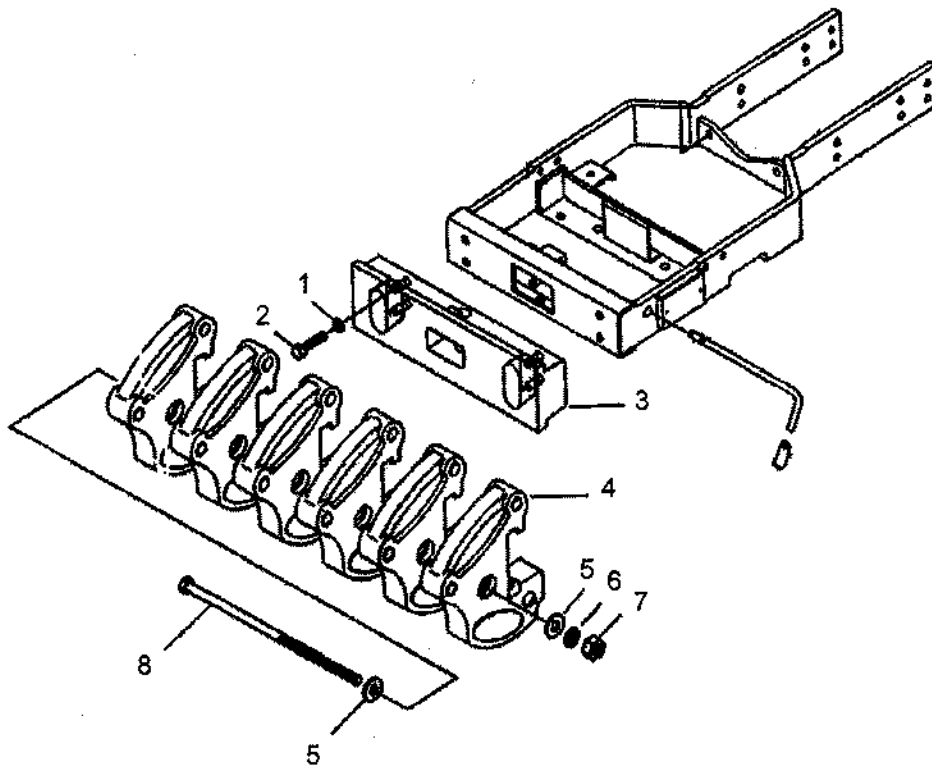
300 DTC/360 DTC

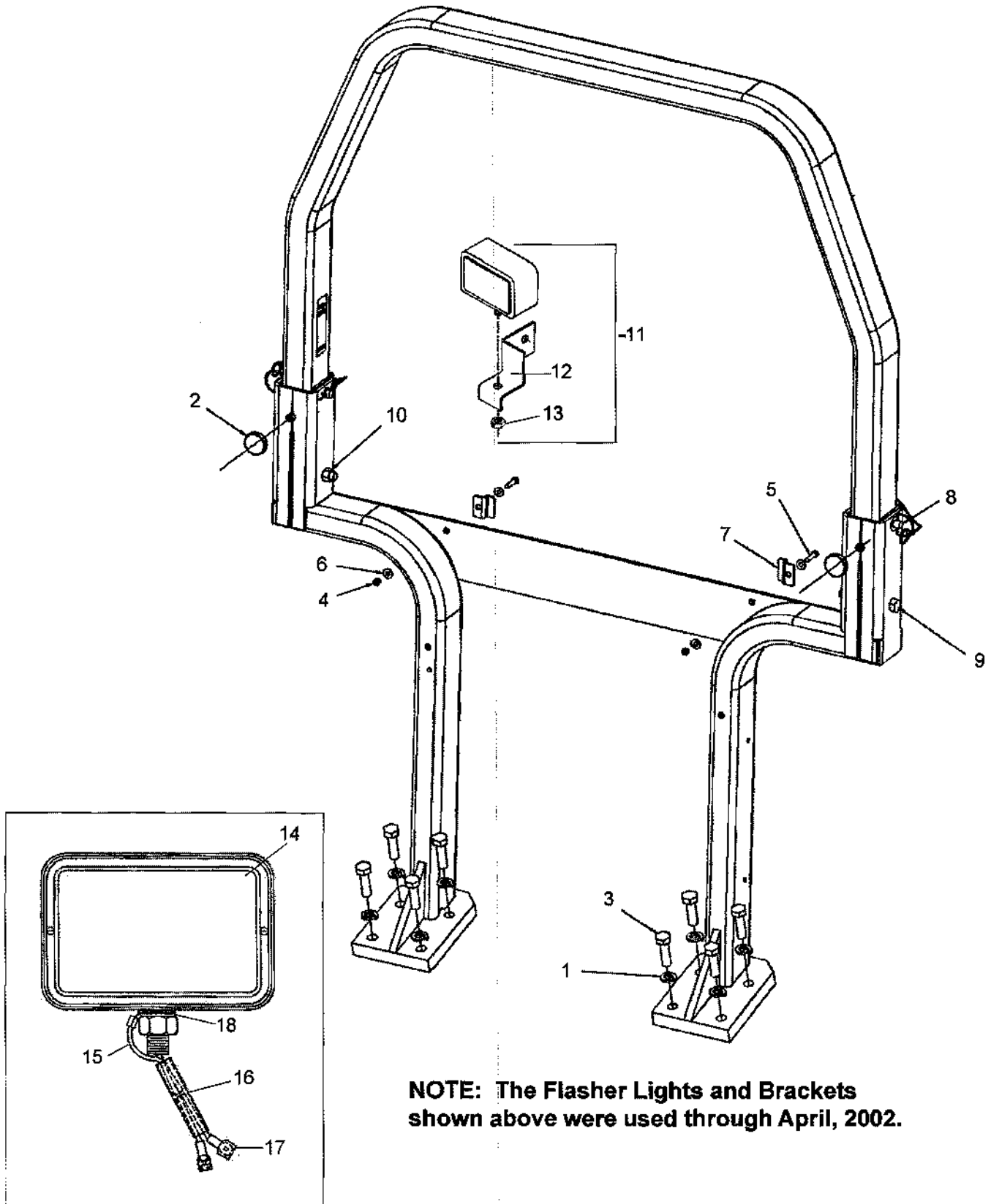
ITEM No.	LONG No.	VENDOR No.	DESCRIPTION	QTY.	
				300 DTC	360 DTC
1	LG3308	A1210069	Frame, Engine	1	1
2	LG1900	S154123533	Bolt, Hex (M12 - 1.25 x 35)	12	12
3	N630175-S8		Washer, Spring	2	2
4	500197		Nut, Hex (M12 - 1.25)	2	2
5	LG4965	A1215029	Bumper	1	1
6	N630187-S8		Washer, Spring	4	4
7	LG1901	S103149043	Bolt, Hex (M14 - 1.5 x 90)	4	4
8	LG2407	A1830229	Hook, Grill	1	1
9	LG2042	A0710037	Grip	1	1
10	LG2410	A1830248	Spring	1	1
11	LG1902	S810120001	Ring, Snap	1	1



FRAME GROUP

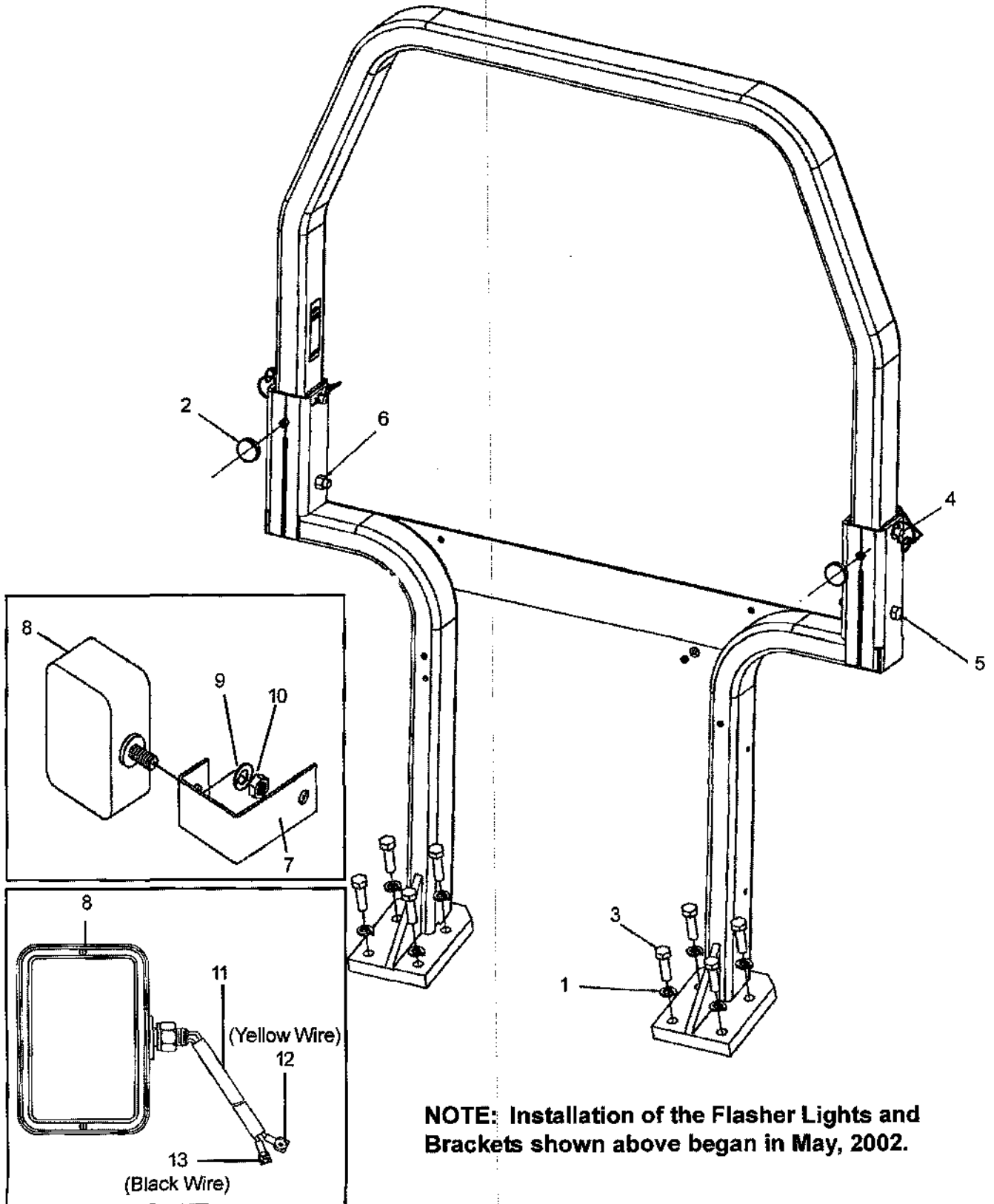
ITEM No	LONG No.	VENDOR No.	DESCRIPTION	QTY.	
				300 DTC	360 DTC
1	N630187-S8		Washer, Lock	4	4
2	LG1901	S103149043	Bolt, Hex (M14 - 1.5 x 90)	4	4
3	LG4965	A1215029	Bumper	1	1
4	LG4088	A1215015	Front Weight - Tractor	6	6
5	LG4090	3A0010847	Washer, Flat	2	2
6	N630176-S8		Washer, Lock (16MM)	1	1
7	500394		Nut, Reg. (16MM - 1.5)	1	1
8	LG4089	A1215007	Bolt, Hex.(M16 x 1.5 x 355)	1	1





ITEM No	LONG No.	VENDOR No.	DESCRIPTION	QTY.	
				300 DTC	360 DTC
1	34811-S8		Washer, Lock (5/8)	8	8
2	902479		Knob 3050 D	2	2
3	500178-S8		Bolt, (M14 - 2.00 x 50)	8	8
4	55734-S8		Nut, Hex FL (1/4 - 20)	2	2
5	304680-S8		Bolt, Hex Hd. (1/4 - 20 x 1)	2	2
6	44728-S8		Washer, Flat (M3/8)	2	2
7	902481		Bracket, Fuel Tank	2	2
8	902480		Pin, Clevis (M1/2 - 3.5)	2	2
9	304951-S8		Bolt, Hex Hd. (M1/2 - 13 x 3 3/4)	2	2
10	55828-S8		Nut, Lock - Prevailing Torque (1/2 - 13)	2	2
11	902221		Light Assy w/Bracket, R.H.	1	1
-	902220		Light Assy w/Bracket, L.H.	1	1
12	901986		Bracket, Flashing Light R.H.	1	1
-	901985		Bracket, Flashing Light L.H.	1	1
13	33845-S8		Nut, Hex (1/2-13)	2	2
14	902032		Flasher Light	2	2
-			Bulb, Replaceable (12V - #1156)	2	2
-	799903		Lens, Amber	2	2
-	902688		Lens, Black	2	2
-	799904		O-Ring	2	2
15	902224		Wire Assy, 16 Ga. Black	2	2
16	64000000		Loom, Split (M1/4)	2	2
17	789920		Male Spade Terminal (M1/4)	2	2
18	34909-S8		Washer, Star Lock	2	2

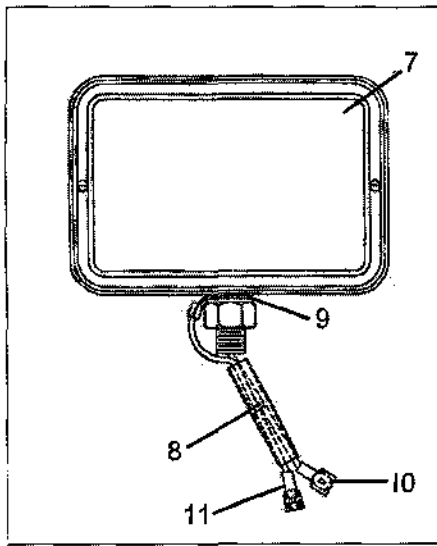
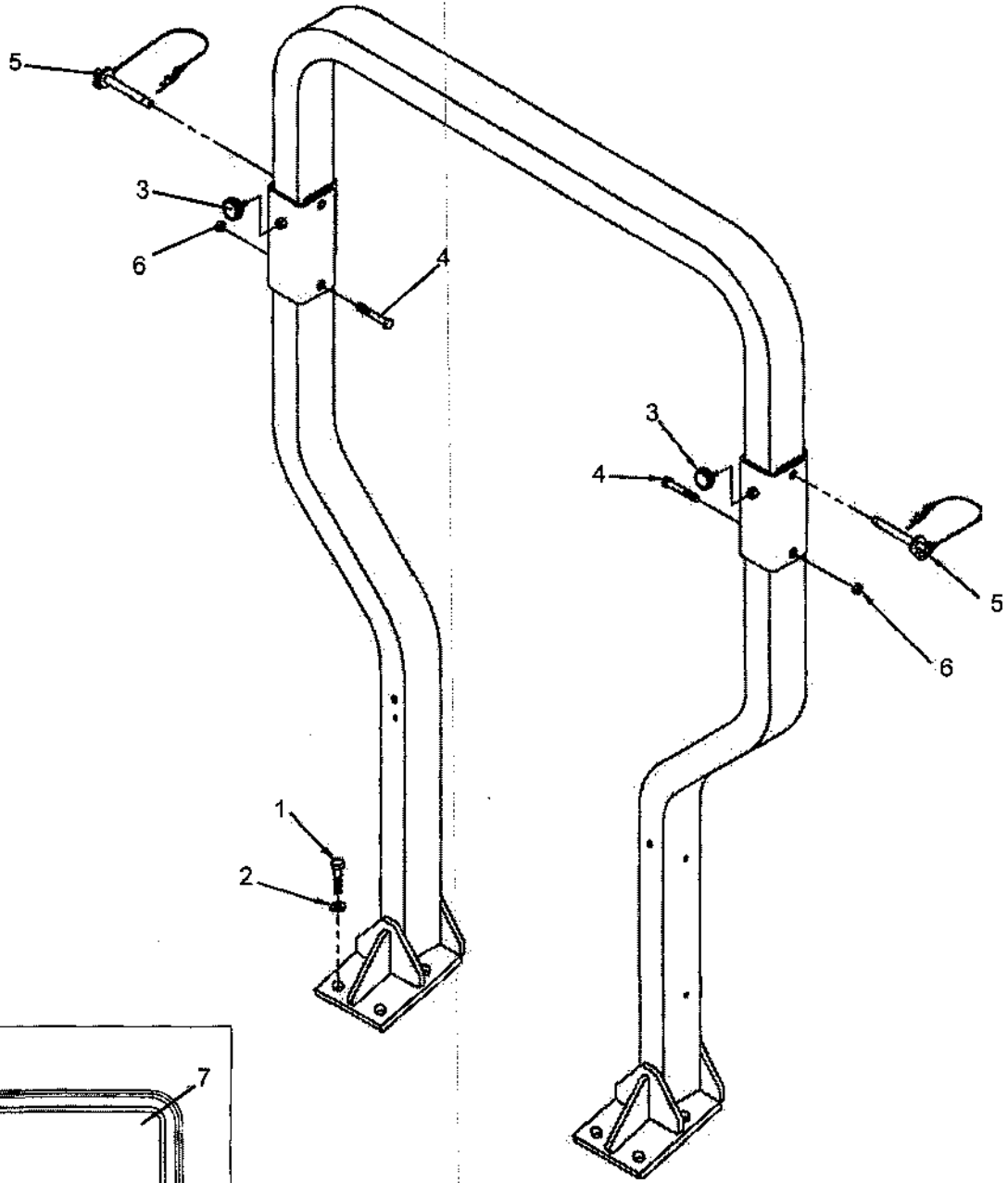
NOTE: The Flasher Lights and Brackets shown above were used through April, 2002.



NOTE: Installation of the Flasher Lights and Brackets shown above began in May, 2002.

ITEM No	LONG No.	VENDOR No.	DESCRIPTION	QTY.	
				300 DTC	360 DTC
1	34811-S8		Washer, Lock (5/8)	8	8
2	902479		Knob 3050 D	2	2
3	500178-S8		Bolt, (M14 - 2.00 x 50)	8	8
4	902480		Pin, Clevis (1/2-3.50)	2	2
5	304951-S8		Bolt, Hex Hd. (1/2 -13 x 3 3/4)	2	2
6	55828-S8		Nut, Lock (1/2-13)	2	2
7	905665		Bracket, Flashing Light	2	2
8	905669		Flasher Light	2	2
-			Bulb, Replaceable (12v-#1156)	2	2
-	799903		Lens, Amber	4	4
-	799904		O-Ring	4	4
9	34809-S8		Washer, Lock (1/2)	2	2
10	33845-S8		Nut, Hex (1/2-13)	2	2
11	64000000		Loom, Split (1/4x8" long)	2	2
12	789920		Male Spade Terminal (1/4)	2	2
13	789921		Female Spade Terminal (1/4)	2	2

NOTE: Installation of the Flasher Lights and Brackets shown above began in May, 2002.

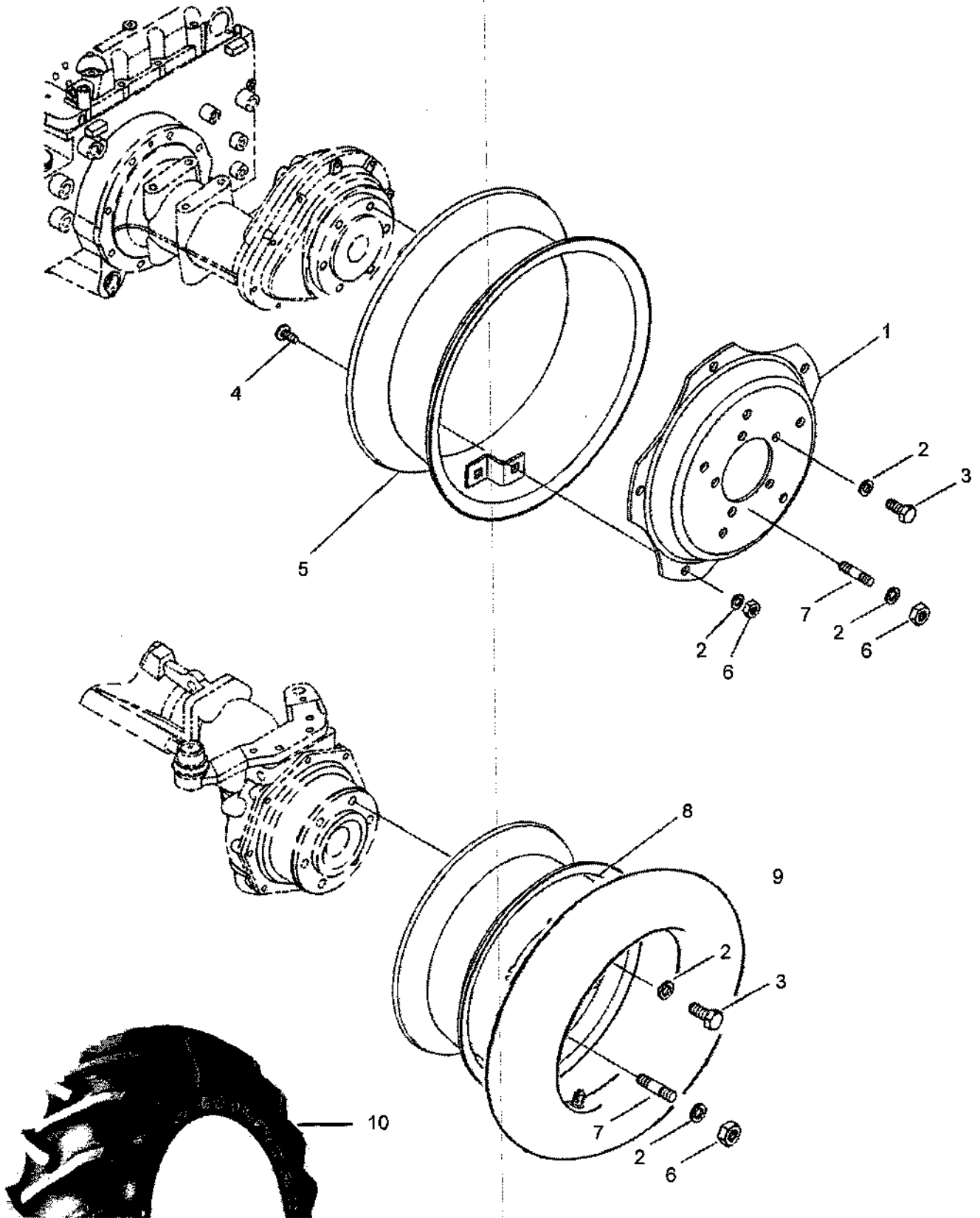


ROLLOVER PROTECTION STRUCTURE (LONGAGRIBUSINESS)

ITEM No	LONG No.	VENDOR No.	DESCRIPTION	QTY.	
				300 DTC	360 DTC
1	LG4087	A1896473	Bolt (M14x2.00x40)	8	8
2	34811S8		Washer, Lock (5/8)	8	8
3	902479		Knob, Male (5/16-18x00.75)	2	2
4	304940S8		Bolt (HH 1/2-13x3.50) GR5	2	2
5	902480		H-Pin, Lick (0.50x3.50x8.00)	2	2
6	34423S8		Nut (1/2-13) Prevailing Torque	2	2
7	905669		Flasher Light, Amber-Amber	2	2
-			Bulb, Replacement (12v-#1156)	2	2
-	799903		Lens, Amber	4	4
-	799904		"O"-Ring	4	4
8	64000000		Loom, Split (1/4)	2	2
9	34909-S8		Washer, Star Lock (1/2)	2	2
10	789920		Male Spade Terminal (1/4)	2	2
11	789921		Female Spade Terminal (1/4)	2	2

Notes

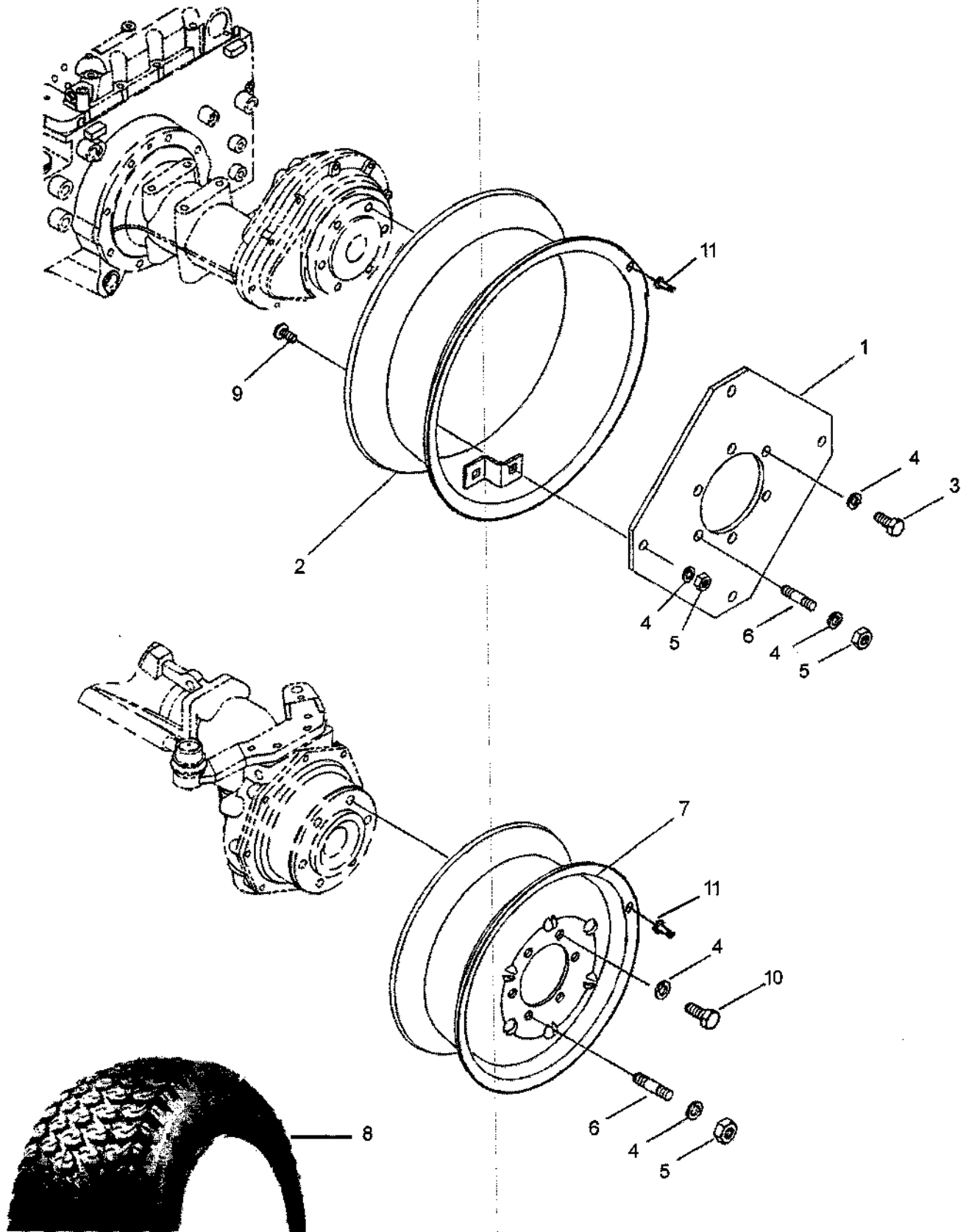
FRONT & REAR WHEELS





300 DTC/360 DTC

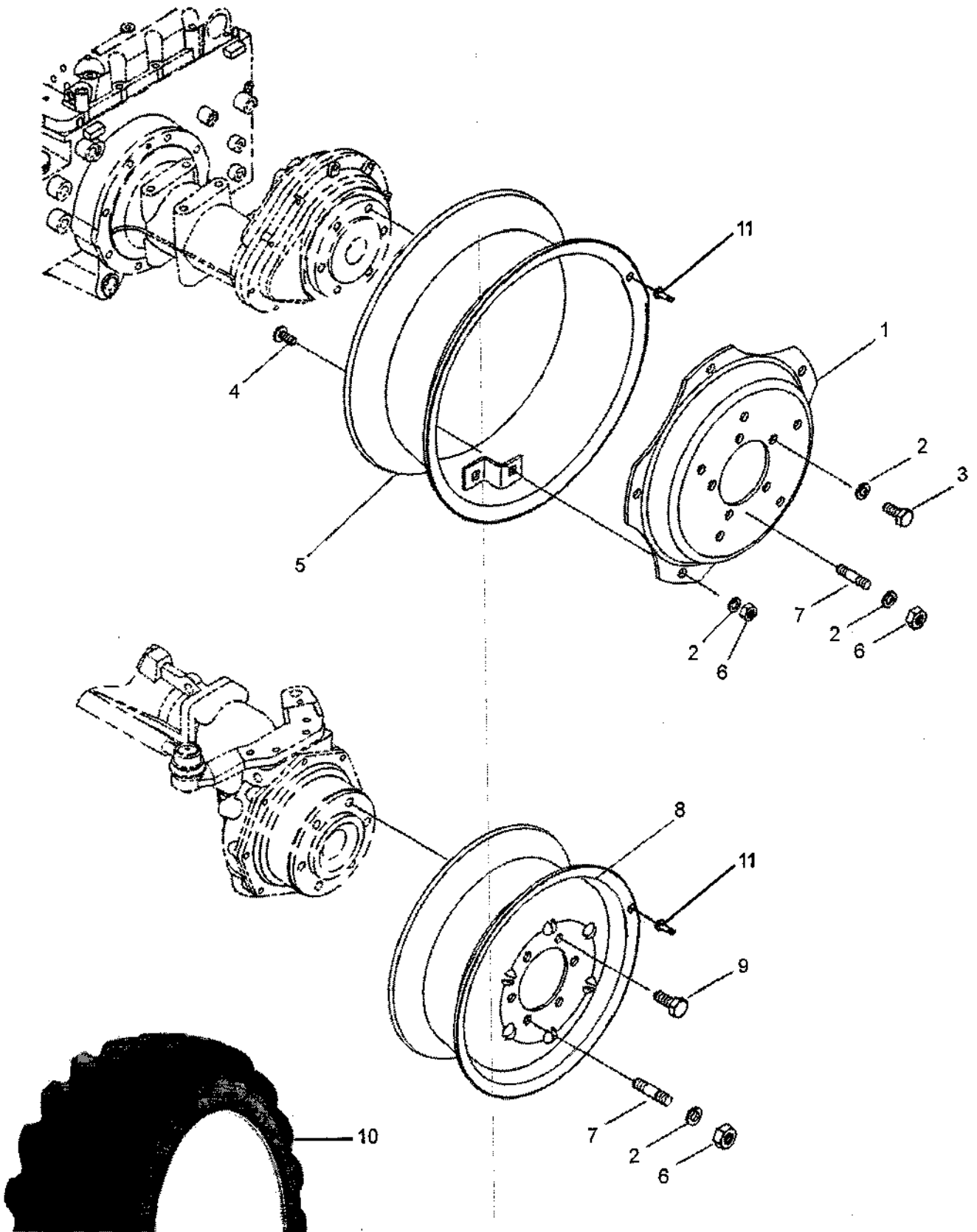
ITEM No	LONG No.	VENDOR No.	DESCRIPTION	QTY.	
				300 DTC	360 DTC
1	LG2777	A1490060	Disc, Rear	2	2
2	N630176-S36		Washer, Lock (M16)	32	32
3	500354		Bolt, (M16 - 1.5 x 30)	16	16
4	LG1885	3A1970077	Bolt, Wheel	8	8
5	902041		Rear Rim Assy	2	2
6	500394-S36		Nut, Reg. (M16 - 1.5)	16	16
7	LG1944	S167162523	Bolt, Stud (M16 - 1.5 x 25)	8	8
8	LG1880	A1490059	Front Rim Assy	2	2
9	736281		Tube, Front (7.50 - 16)	2	2
-	737801		Tube, Rear (12.4 - 24)	2	2
10	902036		Tire, Front (8 - 16)	2	2
-	791969		Tire, Rear (12.4 - 24)	2	2



TURF TIRE & RIM ASSEMBLY

**300 DTC/360 DTC**

ITEM No	LONG No.	VENDOR No.	DESCRIPTION	QTY.	
				300 DTC	360 DTC
1	902245		Center Disc, Rear Turf Tire	2	2
2	902243		Rear Rim Assy, Turf Tire	2	2
3	500354		Bolt, (M16 - 1.5 x 30)	16	16
4	N630176-S36		Washer, Lock (M16)	32	32
5	500394-S36		Nut, Reg. (M16 - 1.5)	16	16
6	LG1944	S167162523	Bolt, Stud (M16 - 1.5 x 25)	8	8
7	902266		Wheel Assy, Mod.	2	2
8	901333		Tire, Front (25 x 10.5 - 15)	2	2
-	901480		Tire, Front (27 x 10.5 - 15)	2	2
-	902263		Tire, Rear (41 x 14 - 20)	2	2
9	LG1885	3A1970077	Bolt, Wheel	8	8
10	TX10863		Rear Lug Bolt	8	8
11	757044		Valve Stem	4	4

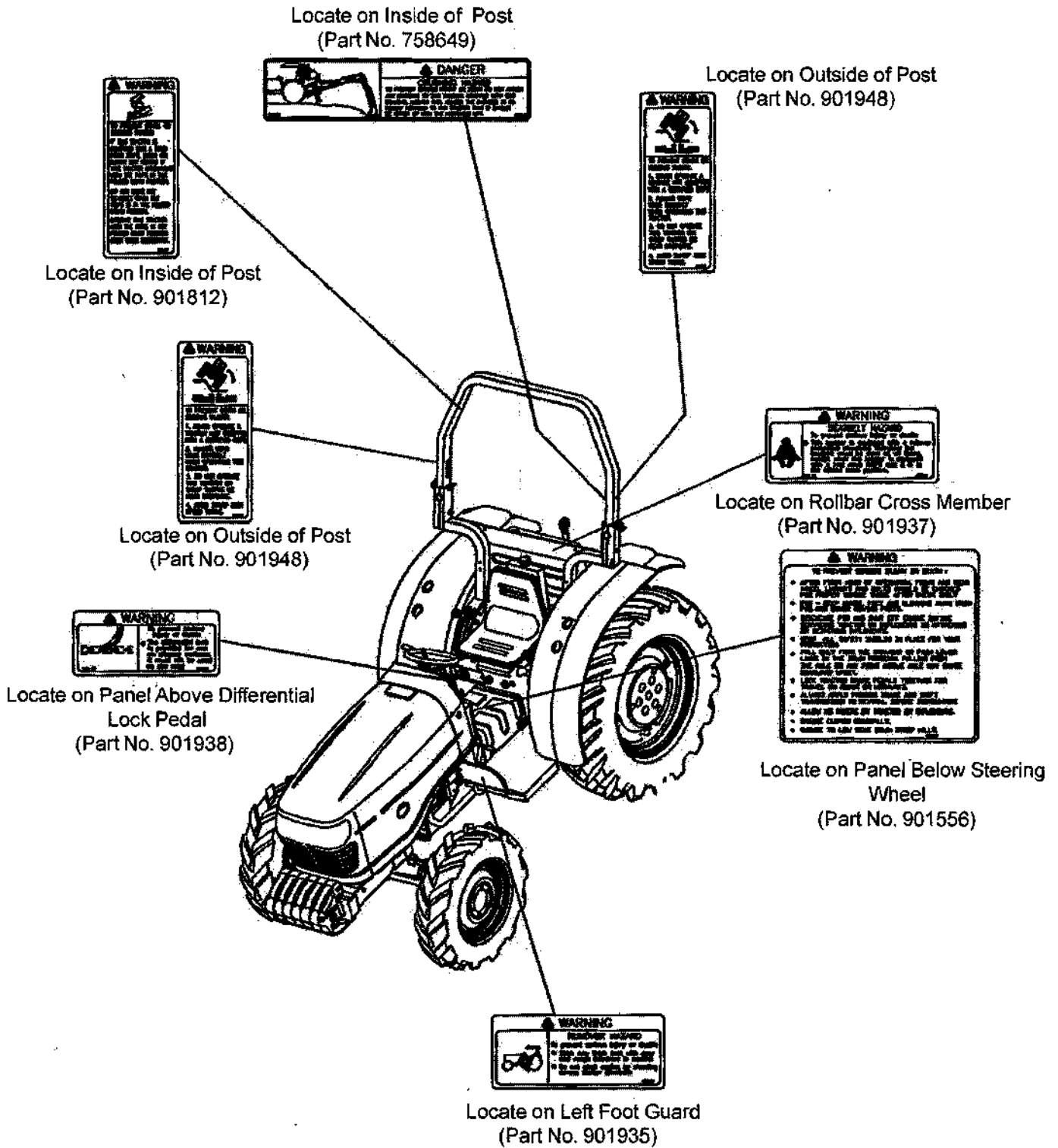


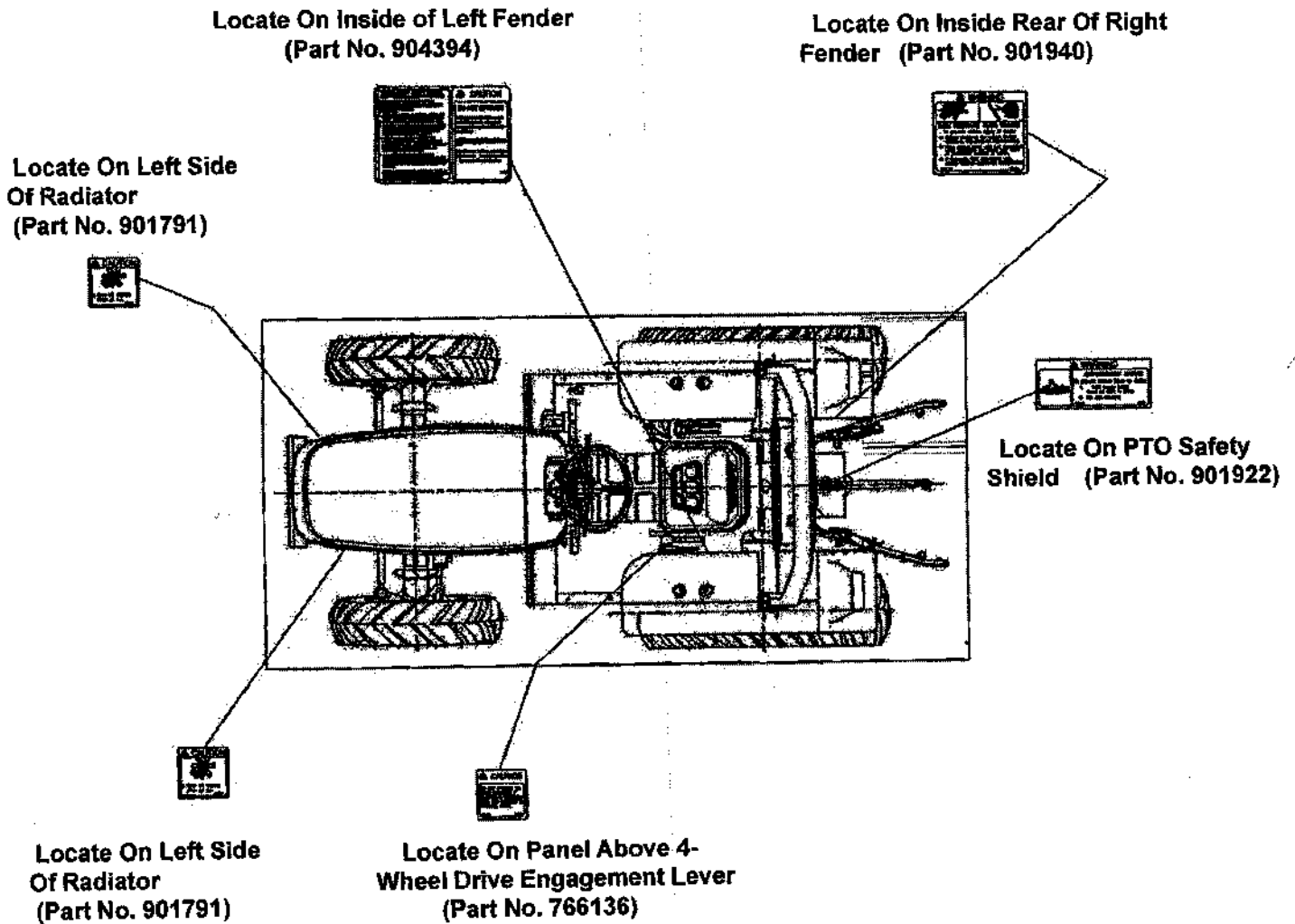
**300 DTC/360 DTC**

ITEM No	LONG No.	VENDOR No.	DESCRIPTION	QTY.	
				300 DTC	360 DTC
1	LG2777	A1490060	Disc, Rear	2	2
2	N630176-S36		Washer, Lock (M16)	24	24
3	500354		Bolt, (M16 - 1.5 x 30)	8	8
4	LG1885	3A1970077	Bolt, Wheel	8	8
5	902121		Rear Rim Assy	2	2
6	500394-S36		Nut, Reg. (M16 - 1.5)	16	16
7	LG1944	S167162523	Bolt, Stud (M16 - 1.5 x 25)	8	8
8	902147		Wheel Assy, Mod.	2	2
9	TX10863		Bolt, Lug Rear	8	8
10	902123		Tire, Industrial, Front (10 - 16.5)	2	2
-	902124		Tire, Industrial, Rear (420/70 - 24)	2	2
11	757044		Valve Stem	4	4

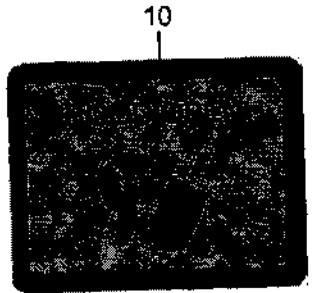
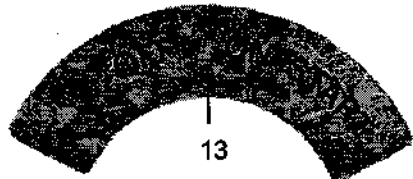
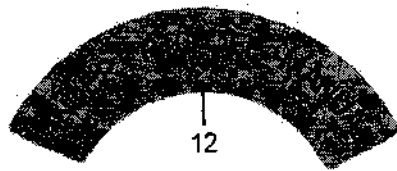
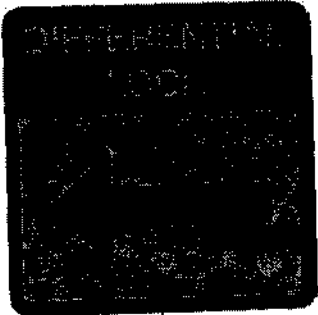
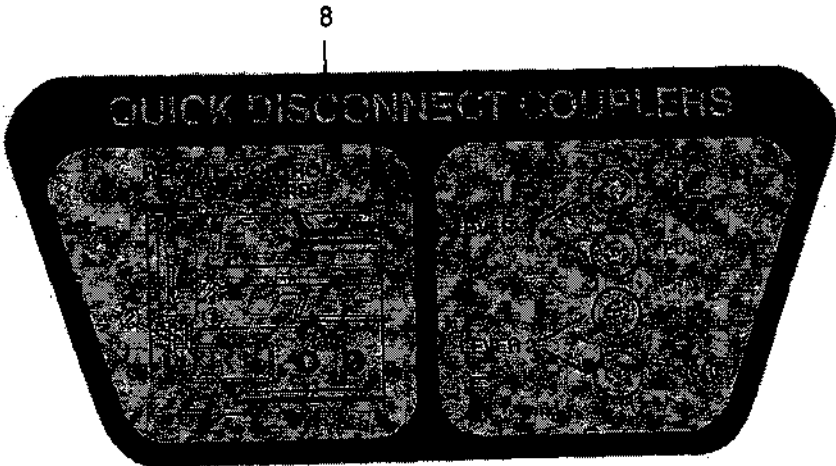
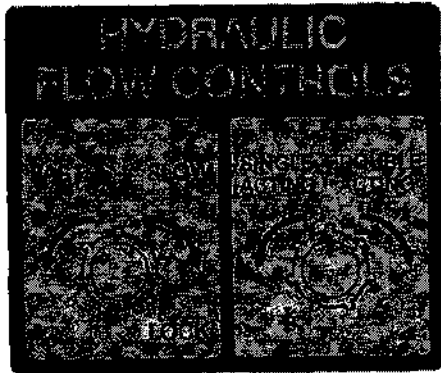
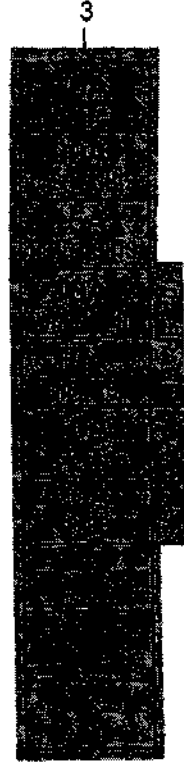
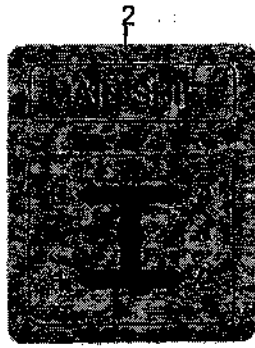
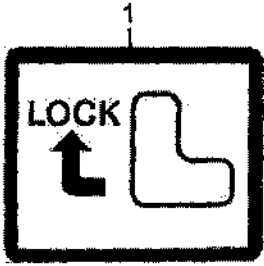
Notes

DECALS





300 DTC/360 DTC

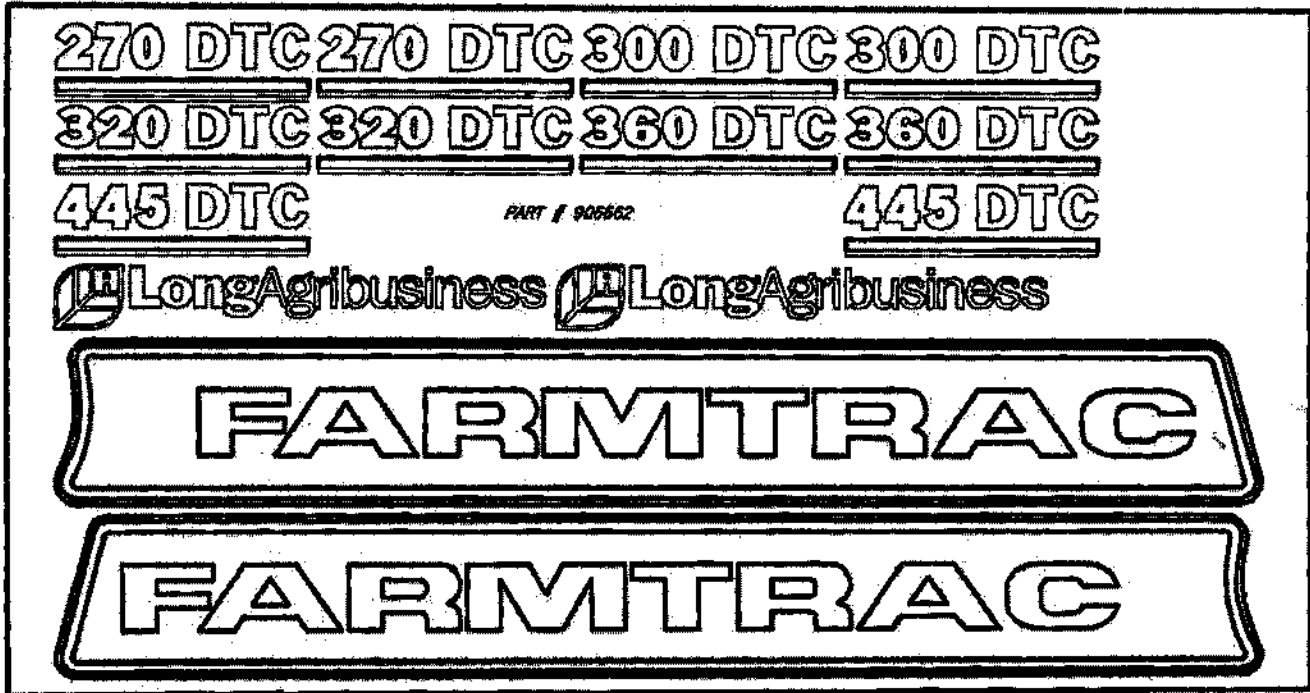


300 DTC/360 DTC

<i>ITEM No</i>	<i>LONG No.</i>	<i>VENDOR No.</i>	<i>DESCRIPTION</i>	<i>QTY.</i>	
				<i>300 DTC</i>	<i>360 DTC</i>
1	901760		Decal, Hood Stand	1	1
2	901762		Decal, Main Shift	1	1
3	901800		Decal, Fuse Panel	1	1
4	901789		Decal, Position-Draft Controls	1	1
5	901758		Decal, Range Selector	1	1
6	901784		Decal, Shuttle	1	1
7	901783		Decal, Hydraulic Flow Controls	1	1
8	901799		Decal, Quick Disc. Couplers	1	1
9	901798		Decal, 4 Wheel Drive	1	1
10	901763		Decal, Hood Latch	1	1
11	901765		Decal, Fast & Slow	1	1
12	901766		Decal, PTO Switch	1	1
13	901761		Decal, Ignition Switch	1	1
14	901785		Decal, Differential Lock	1	1

300 DTC/360 DTC

ITEM No.	LONG No.	VENDOR No.	DESCRIPTION	QTY.	
				300 DTC	360 DTC
1	906662		Decal Kit Compact	1	1
2	799415		Manual Tractor Safety w/Decal	1	1



1

2

